



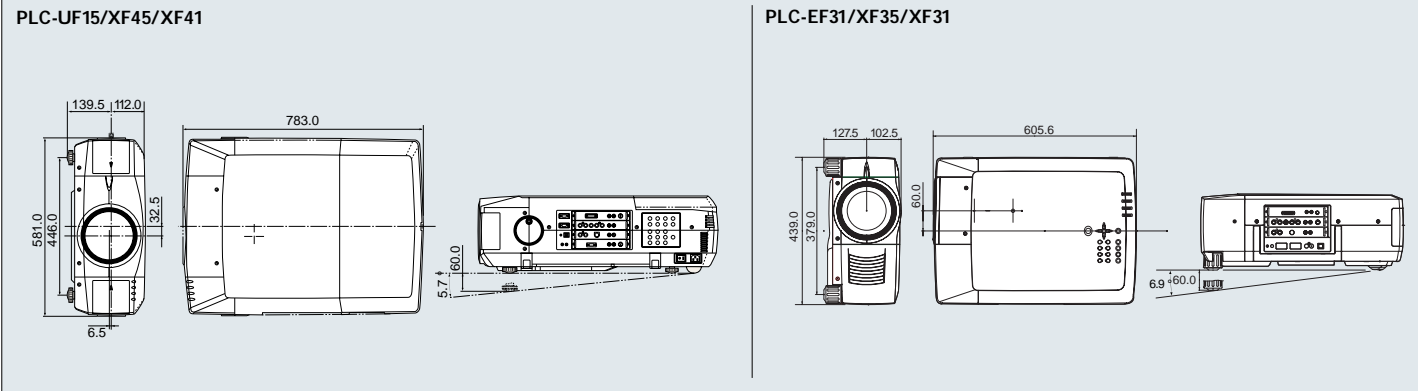
Multimedia LCD Projector

PLC-UF15
 PLC-XF45/XF41
 PLC-EF31
 PLC-XF35/XF31

Step up to the industry's highest performance
Professional Projector



Dimensions (unit: mm)



Specifications

Model number	PLC-UF15	PLC-EF31	PLC-XF45	PLC-XF41	PLC-XF35	PLC-XF31
System	3-Color LCD Shutter Projection System					
Optics	Dichroic mirror separation/prism synthesis system					
LCD panel	Size	1.8-inch (4:3) x 3	1.8-inch (5:4) x 3	1.8-inch (4:3) x 3		
	Drive system	Polysilicon active matrix TFT				
	Number of pixels	5,760,000 pixels: 1,920,000 (1,600 x 1,200) x 3	3,932,160 pixels: 1,310,720 (1,280 x 1,024) x 3	2,359,296 pixels: 786,432 (1,024 x 768) x 3		
	Configuration	Stripe				
Lens	Optional					
Lamp	250W UHPx4	200W UHPx2	250W UHPx4	200W UHPx4	250W UHPx2	200W UHPx2
Projection size	40 to 600 inches (diagonal)					
Throw distance	Differs depending on installed lens					
Color reproduction	Full color (16.77 million colors)					
Brightness	7,700 ANSI lumens	5,800 ANSI lumens	10,000 ANSI lumens	7,700 ANSI lumens	6,500 ANSI lumens	5,200 ANSI lumens
Uniformity	90%					
Contrast ratio (full on/off)	1000:1	900:1	1100:1	800:1	1100:1	800:1
Noise	46 dBA	45 dBA	46 dBA		45 dBA	
Audio amplifier	3 W + 3 W, stereo					
Speaker	Ø8 cm x 2	5 x 9 cm x 2	Ø8 cm x 2		5 x 9 cm x 2	
Scanning frequency	H sync: 15 - 120 kHz, V sync: 50 - 120 Hz, Dot clock: 230 MHz					
Horizontal resolution	RGB	1,600 x 1,200 dots	1,280 x 1,024 dots	1,024 x 768 dots		
	Video	HDTV: 1,100 TV lines				
Terminals	Computer, Video	Slot 1	DVI-I (digital/analog RGB), Audio (L, R), Control port			
		Slot 2	5 BNC (RGBHV, Y/Pb/Pr), Audio (L, R), Control port			
		Slot 3	Video, Y/C, S-Video connector, Audio (L, R)			
		Slot 4	Mini D-sub 15-pin (RGB), Audio (L, R), Control port	—	Mini D-sub 15-pin (RGB), Audio (L, R), Control port	—
Control, Misc.		Serial port (in/out, D-sub 9-pin) x 2, USB (type B) x 1, Wired remote control jack (stereo mini) x 1, Audio out (RCA) x 2				
Operating temperature	5 - 35°C					
Power supply	AC 120 - 240 V, 50/60 Hz, Auto voltage	AC 100 - 240 V, 50/60 Hz, Auto voltage	AC 120 - 240 V, 50/60 Hz, Auto voltage	AC 100 - 240 V, 50/60 Hz, Auto voltage		
Power consumption	1,500 W	550 W	1500W	1,150 W	720 W	550 W
Dimensions (W x H x D)	581 x 251.5 x 783 mm	439 x 230 x 605.6 mm	581 x 251.5 x 783 mm	439 x 230 x 605.6 mm		
Net weight	37.0 kg (81.6 lbs.)	21.0 kg (46.3 lbs.)	37.0 kg (81.6 lbs.)	21.0 kg (46.3 lbs.)		
Standard accessories	AC power cord, Wireless/wired remote control unit (dry batteries x 2, wired cable supplied), Dust cover, Mouse control cable (PS/2, Mac, Serial), VGA cable, VGA/Mac adapter, DVI cable, DVI/D-sub (mini 15-pin) adapter, Owner's manual, Lens cover					

*VGA, XGA and PS/2 are registered trademarks of International Business Machines Corporation. *Macintosh is a registered trademark of Apple Computer, Inc.
 *All other brand or product names in this catalog are trademarks or registered trademarks of respective holders.

Safety Precautions

- Do not install the LCD projector in areas exposed to water, humidity, dust, oil or smoke or in close proximity to heat sources. Make sure the heat vents are not blocked. Fire, electrical shock or unit malfunction may result if the above precautions are neglected.
- Do not look through the lens while projecting as damage to the eyes could result. Take special care when children are close by.
- Do not look at the laser beam coming out of the remote control unit or direct the laser beam toward a person. Direct contact with the laser beam may cause damage to the eyes.

Remarks

- LCD panel manufacturing requires extremely high-precision technology with pixels having a 99.99% quality control rating. However, there does exist a 0.01% or smaller possibility of dead pixels or constantly lit pixels.
- Please note that product colors in the brochure may differ slightly from those of actual products.
- All screen pictures in the catalog are simulated.
- Product appearance and specifications subject to change without notice.

Further details regarding this product can be accessed at <http://www.sanyo-lcdp.com/english/>

***Caution:** please consult the instruction manual to ensure safe and proper operation of the product.

Distributed by:



SANYO Electric Co., Ltd.
 TV&Visual Display Products Divisions
 ©2003 SANYO Printed in Japan 2003.2.S1
 SML-032



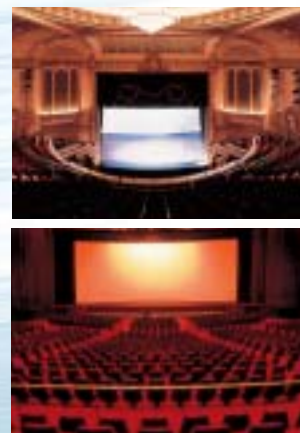


Super brightness and clarity 10,000 ANSI lumens,* high contrast

*PLC-XF45



PLC-XF45



Designed for professional applications, these models meet a full range of large-screen projection needs.

Digital cinema, classrooms with large-screen viewing facilities, video displays at events...LCD projectors are seeing use in more and more applications. Today, users are looking for projectors that deliver high-quality large-screen images while meeting their specific needs. Sanyo answers this demand with professional projectors that combine top performance with extra versatility. You'll find these models ideal in a host of applications and a wide range of viewing environments.

PLC-EF31
Real SXGA Projector **5800** ANSI Lumens

PLC-XF35
Real XGA Projector **6500** ANSI Lumens

PLC-XF31
Real XGA Projector **5200** ANSI Lumens



PLC-XF35

Remarkable brightness. Crystal clarity. Breathtaking beauty. That's what these Sanyo projectors deliver, thanks to advanced technologies and features that meet all your projection needs.

Sanyo's new LCD projectors raise basic standards to a lofty new level. Designed for professional use, these models provide 10,000 ANSI lumens for exceptional brightness plus an 1100:1 contrast ratio (PLC-XF45) for extra clarity. Our High-Color-Purity Optical System (PLC-UF15) also boosts image beauty, while a new progressive IC enhances viewing quality when displaying video images. This all adds up to the emotional power, drama, and impact that only bright, beautiful, large-screen images can provide.

PLC-UF15
Real UXGA Projector
7700 ANSI Lumens

PLC-XF45
Real XGA Projector
10000 ANSI Lumens

PLC-XF41
Real XGA Projector
7700 ANSI Lumens

Achieving Higher Levels

High-Intensity, High-Precision Projection

Multi-lamp optical system offers outstanding brightness

Each model employs a multi-lamp optical system that provides high-intensity projection. The PLC-UF15 and PLC-XF45 use four UHP lamps and achieves 7,700 and 10,000 ANSI lumens respectively. The PLC-XF35 has two UHP lamps and delivers 6,500 ANSI lumens. By stacking two projector units, more powerful projection with doubled intensity is possible.



UHP lamp

High-color-purity optical system* enhances image beauty

By improving reproducibility of the three primary colors (red, blue, and green), this advanced Sanyo system helps deliver a superior overall color performance suitable for digital cinema applications.



* PLC-UF15 only

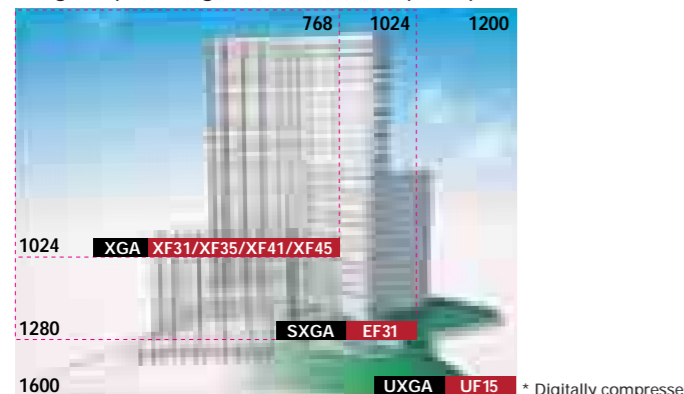
Select between two lighting modes to suit conditions of use

All models feature two lighting modes: a high-brightness mode which has all lamps turned on; and an economy mode*¹ which doubles the amount of usable time. The user simply selects the mode best suited for a particular environment. If one lamp is accidentally turned off when used in the high-brightness mode, the system automatically switches over to the economy mode. This fail-safe function*² prevents a presentation from being interrupted.

*¹ In the economy mode, brightness is half that of the high-brightness mode.
*² The PLC-UF15, PLC-XF41 and PLC-XF45 performs this function even in the economy mode (two-lamp mode) switching to a one-lamp mode, but color and brightness correction is not performed. A switchover to the one-lamp mode only occurs if an emergency should arise.

Remarkably high-precision, real UXGA projection

Choose the best projector for your needs from a wide and versatile lineup: the PLC-UF15 with real 1,600 x 1,200 UXGA resolution, the PLC-EF31 with real 1,280 x 1,024 SXGA resolution, or the PLC-XF35/XF31 or PLC-XF45/XF41 featuring real 1,024 x 768 XGA resolution. Whichever SANYO projector you select will more than meet your requirements, including the display of CAD/CAM drawings, workstation design drawings or HDTV images*, providing them all with sharp, crisp definition.



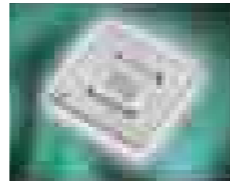
* Digitally compressed.

Beautiful Images from Various Sources

Digital Technology for High-Quality Pictures

New progressive scan IC: Beautiful moving images

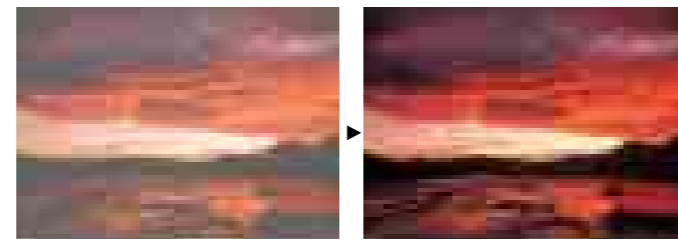
A newly developed progressive scan IC enhances image quality. Also, the use of an original circuit for line interpolation gives moving images a more natural and beautiful diagonal resolution. Full compatibility with 2-3 pull-down* and high-definition TV signals (1080i) also assures superb quality when projecting film sources.



*Except for the PLC-EF31

High-contrast optical system

Each model employs a high-contrast optical system to produce a 1,100:1* contrast, a breakthrough ratio for liquid crystal transmission systems. The 10-bit digital gamma correction control function allows smoother gradation characteristics and controls gradation reproduction according to images input.



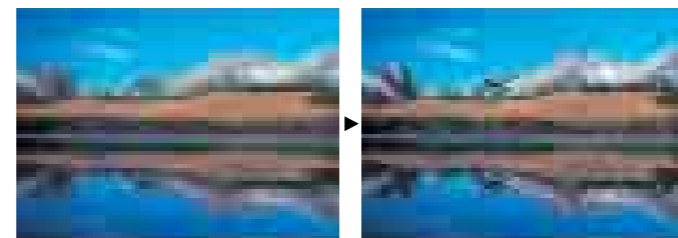
* PLC-XF45/XF35

Three 3-D digital circuits

Each model comes with three 3-D digital circuits: a 3-D digital progressive circuit for I/P conversion of 1080i signals; a 3-D digital Y/C separation circuit to increase resolution and reduce noise; a 3-D digital noise reduction circuit for reproducing flicker-free, vivid images.

Crosstalk/ghosting canceller

It eliminates the problem of ghosting on images. The crosstalk canceller reduces signal interference between the drive circuits on the liquid crystal panels. Line/dot inversion reduces signal interference between pixels.



Intelligent sharpness controller

These models make use of the intelligent sharpness controller sharpen the detail of areas other than areas with steep image signals such as ruled lines and characters that are often prone to generate bright lines. Irrespective of the input mode for RGB/video, the controller delivers clearer, sharper images.

3D-AUCC circuit

The 3D Automatic Uniformity Correction Control (AUCC) provides precise compensation at a total of 7,425 points. Compared with conventional systems*, this offers more than ten times the control over color problems caused by a lack of brightness conformity. The result is smoother, more natural gradation.

* Correction points of conventional AUCC circuit are 624.

Supporting Various User Systems

Superb Expandability

User-replaceable lenses

Eight different user-replaceable lenses, from short-fixed to long-fixed types, are optionally available. It is easy to exchange a lens. Simply mount the optional lens in the supplied adapter, and screw the adapter in place.*



Supplied lens adapter

* This lens exchange system is featured on the PLC-UF15/EF31/XF45/XF41/XF35/XF31.



MVP (Multi-Versatile Interface Platform) system allows a choice of interface

Each model has slots for accommodating input/output interface boards*, such as video boards and RGB boards. The RS-232C terminals including cross-through output terminals as well as input terminals, can be controlled by external devices for easily and flexibly configuring an ideal system for each user.

* Some boards can be installed to limited slots.

Network Board (Option)

Adding this optional board gives you greater control over operational settings and remote management than you get with the conventional RS-232C interface.

Power-driven lens shift — effective in stacked systems

Using the power-driven lens shift function* allows the user to move the projection screen about without lifting the main unit. This function is especially effective for projection with two units stacked.

* PLC-UF15/XF45/XF41: up/down, left/right PLC-EF31/XF35/XF31: up/down only



Real SXGA Projector 5800 ANSI Lumens **PLC-EF31**
Real XGA Projector 6500 ANSI Lumens **PLC-XF35**
Real XGA Projector 5200 ANSI Lumens **PLC-XF31**



*1 PLC-EF31 *2 PLC-XF35 *3 PLC-XF31

RealColorManager

This makes it easier to adjust the white balance and gamma curve adjustments: simply compare the projected images from the enclosed CD-ROM* with the images on the enclosed photo sheet. Because you can view the image as you adjust the settings, it's easy to attain faithful color reproduction in almost any projection environment. This function also responds to professional needs by allowing precise color settings using the gamma curve for each RGB color. Once settings are correct, you can store them on a PC** and later retrieve them for easy set-up.
* Windows 98/Me/2000/XP ** One batch of settings can be saved in projector memory.

Digital keystone effect correction for undistorted images

Each model provides digital keystone effect correction to compensate keystone distortions.



NOTE:

Correction range: PLC-UF15: +30° - -20°

PLC-EF31/XF45/XF41/XF35/XF31: +35° - -30°

Correction range differs depending on lens shift, throw distance, input signals, zoom ratio, etc. Aspect ratio of a projected image may be different from that of the LCD panel in some circumstances. Compensated images are slightly smaller than original images.

Other Features

- On-Start: Allows quick projection simply by switching the system on.
- Power management function automatically turns the power off when no signals are entered.
- Retractable carrying bar. (PLC-UF15/XF45/XF41)
- Adjustable leg system with a pop-up handle and shuttle dials. (PLC-UF15/XF45/XF41)
- Many presentation support functions, including freeze, presentation timer, No Show and so on.
- High-definition digital resizing with DRIT
- USB terminal
- Rear and hanging projection capability
- Built-in stereo amplifier and speakers (3W+3W)
- Wireless/wired mouse remote controller with built-in laser pointer (LED indicator for laser pointer mode built-in).
- RS-232C self-diagnostic function. (PLC-UF15/EF31/XF45/XF41/XF35/XF31)



Real UXGA Projector 7700 ANSI Lumens **PLC-UF15**
Real XGA Projector 10000 ANSI Lumens **PLC-XF45**
Real XGA Projector 7700 ANSI Lumens **PLC-XF41**



*4 PLC-UF15 *5 PLC-XF45 *6 PLC-XF41

