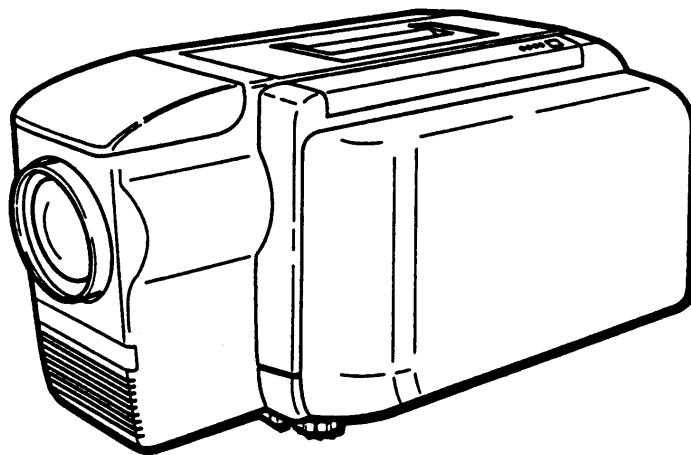


SANYO

Data & Video Colour Projector

MODEL PLC-300MB

PLC-300MP



OWNER'S INSTRUCTION MANUAL

TO THE OWNER

As the owner of a new Data & Video Colour Projector, you are probably eager to try out your new projector. Before you do, we suggest that you spend a little time reading this manual to familiarize yourself with the operating procedures, so that you will receive maximum enjoyment from the many features included on your new projector.

This owner's manual will acquaint you with your projector's features. Reading it will help us too. Through the years, we have found that many service requests were not caused by problems with our projectors. They were caused by problems that could have been prevented, if the owner had followed the instructions in the manual.

You can often correct operating problems yourself. If your projector fails to work properly, locate the operating problem in the Helpful Hints Chart on page 25 and try the solutions marked for each problem.

SAFETY PRECAUTIONS

WARNING:

TO REDUCE THE RISK OF FIRE OR ELECTRIC SHOCK, DO NOT EXPOSE THIS APPLIANCE TO RAIN OR MOISTURE.

Intense light source. Do not stare directly into the projection lens as possible eye damage could result. Be especially careful that children do not stare directly into the beam.

If the projector will not be used for an extended time, unplug the projector from the power outlet.

READ AND KEEP THIS OWNER'S MANUAL FOR LATER USE.

IMPORTANT:


For your protection in the event of theft or loss of this projector, please record the Model Number and Serial Number located on the rear of unit and retain this information. Refer to these numbers whenever you call upon your authorized dealer regarding this product.

Model No: _____

Serial No: _____

Do not discard shipping carton and packing materials. These items may be needed for storage or future servicing.

IMPORTANT: (UK MODEL ONLY)

This cord is already fitted with a moulded plug incorporating a fuse, the value of which is indicated on the pin face of the plug. Should the fuse need to be replaced, an ASTA approved BS 1362 fuse must be used of the same rating, marked thus . If the fuse cover is detachable, never use the plug with the cover omitted. If a replacement fuse cover is required, ensure it is of the same colour as that visible on the pin face of the plug (i.e. red or orange). Fuse covers are available from the Parts Department indicated in your User Instructions.

If the plug supplied is not suitable for your socket outlet, it should be cut off and destroyed.

The end of the flexible cord should be suitably prepared and the correct plug fitted. (See Over)

WARNING: A PLUG WITH BARED FLEXIBLE CORDS IS HAZARDOUS IF ENGAGED IN A LIVE SOCKET OUTLET.

The Wires in this mains lead are coloured in accordance with the following code:

Green-and-yellow Earth
Blue Neutral
Brown Live

As the colours of the wires in the mains lead of this apparatus may not correspond with the coloured markings identifying the terminals in your plug proceed as follows:

The wire which is coloured green-and-yellow must be connected to the terminal in the plug which is marked by the letter E or by the safety earth symbol  or coloured green or green-and-yellow.

The wire which is coloured blue must be connected to the terminal which is marked with the letter N or coloured black.

The wire which is coloured brown must be connected to the terminal which is marked with the letter L or coloured red.

WARNING: THIS APPARATUS MUST BE EARTHED.

IMPORTANT SAFETY INSTRUCTIONS

All the safety and operating instructions should be read before the product is operated.

Read all of the instructions given here and retain them for later use. Unplug this projector from AC power supply before cleaning. Do not use liquid or aerosol cleaners. Use a damp cloth for cleaning.

Do not use attachments not recommended by the manufacturer as they may cause hazards.

Do not place this projector on an unstable cart, stand, or table. The projector may fall, causing serious injury to a child or adult, and serious damage to the projector. Use only with a cart or stand recommended by the manufacturer, or sold with the projector. Wall or shelf mounting should follow the manufacturer's instructions, and should use a mounting kit approved by the manufacturer.

Do not expose this unit to rain or use near water... for example, in a wet basement, near a swimming pool or the like.

Slots and openings in the cabinet and the back or bottom are provided for ventilation, to insure reliable operation of the equipment and to protect it from overheating.

The openings should never be covered with cloth or other material, and the bottom opening should not be blocked by placing the projector on a bed, sofa, rug, or other similar surface. This projector should never be placed near or over a radiator or heat register.

This projector should not be placed in a built-in installation such as a bookcase unless proper ventilation is provided.

This projector should be operated only from the type of power source indicated on the marking label. If you are not sure of the type of power supplied, consult your authorized dealer or local power company.

Do not overload wall outlets and extension cords as this can result in fire or electric shock. Do not allow anything to rest on the power cord. Do not locate this projector where the cord will be abused by persons walking on it.

Never push objects of any kind into this projector through cabinet slots as they may touch dangerous voltage points or short out parts that could result in a fire or electric shock. Never spill liquid of any kind on the projector.

Do not attempt to service this projector yourself as opening or removing covers may expose you to dangerous voltage or other hazards. Refer all servicing to qualified service personnel.

Unplug this projector from wall outlet and refer servicing to qualified service personnel under the following conditions:

- a. When the power cord or plug is damaged or frayed.
- b. If liquid has been spilled into the projector.
- c. If the projector has been exposed to rain or water.
- d. If the projector does not operate normally by following the operating instructions. Adjust only those controls that are covered by the operating instructions as improper adjustment of other controls may result in damage and will often require extensive work by a qualified technician to restore the projector to normal operation.
- e. If the projector has been dropped or the cabinet has been damaged.
- f. When the projector exhibits a distinct change in performance-this indicates a need for service.

When replacement parts are required, be sure the service technician has used replacement parts specified by the manufacturer that have the same characteristics as the original part. Unauthorized substitutions may result in fire, electric shock, or injury to persons.

Upon completion of any service or repairs to this projector, ask the service technician to perform routine safety checks to determine that the projector is in safe operating condition.

Follow all warnings and instructions marked on the projectors.

For added protection for the projector during a lightning storm, or when it is left unattended and unused for long periods of time, unplug it from the wall outlet. This will prevent damage due to lightning and powerline surges.



An appliance and cart combination should be moved with care. Quick stops, excessive force, and uneven surfaces may cause the appliance and cart combination to overturn.

TABLE OF CONTENTS

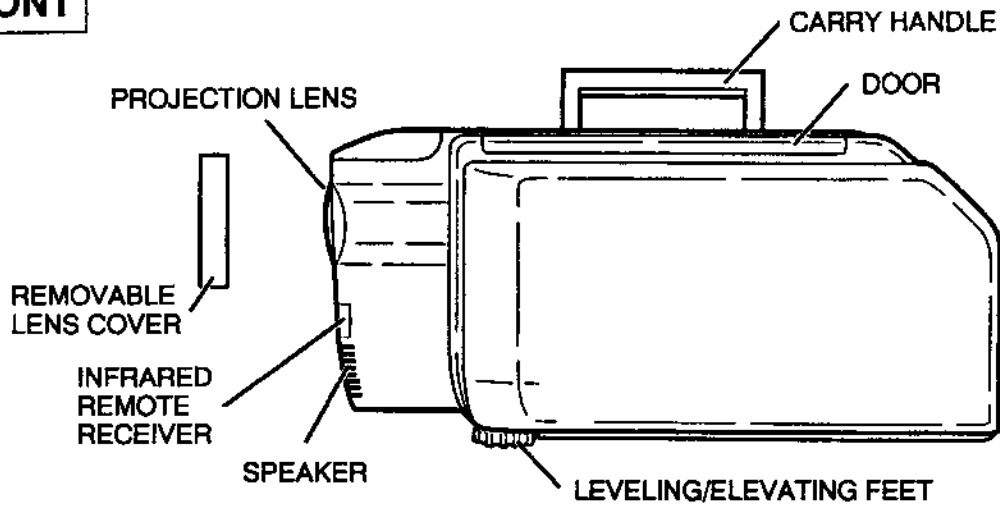
	PAGE
DESCRIPTION	4
OPERATION OF CONTROLS	5-6
REMOTE CONTROL UNIT OPERATION	7-8
SETTING-UP THE PROJECTOR	9
USING THE PROJECTOR	10-14
PICTURE ADJUSTMENTS	15-16
CONNECTING THE PROJECTOR	17-23
AIR FILTER CARE AND CLEANING	24
LAMP REPLACEMENT/TEMPERATURE INDICATORS	24
HELPFUL HINTS-Problems and Solutions	25
TECHNICAL SPECIFICATIONS	26

POWER REQUIREMENTS

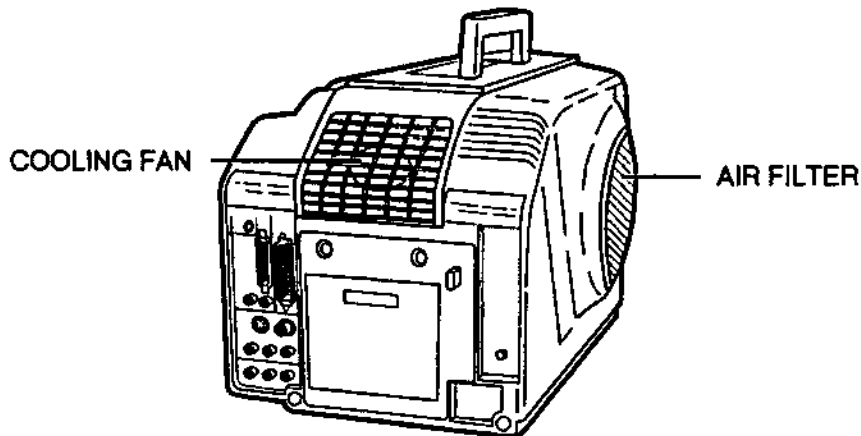
Your projector uses nominal input voltages of 100-120 VAC or 200-240 VAC. The projector automatically selects the correct input voltage. The projector is designed to work with single-phase power systems having a grounded neutral conductor. To reduce the risk of electrical shock, do not plug into any other type of power system. Consult your authorized dealer or service station if you are not sure what type of power is supplied to your building.

DESCRIPTION

FRONT



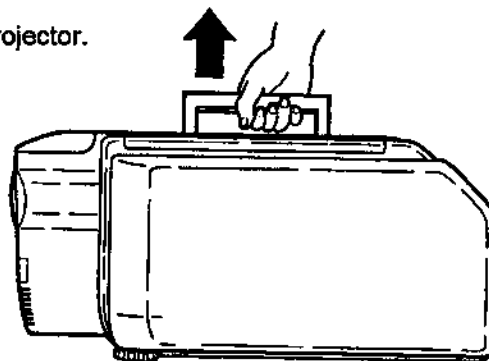
REAR



Connect the AC power supply cord (supplied) to the projector

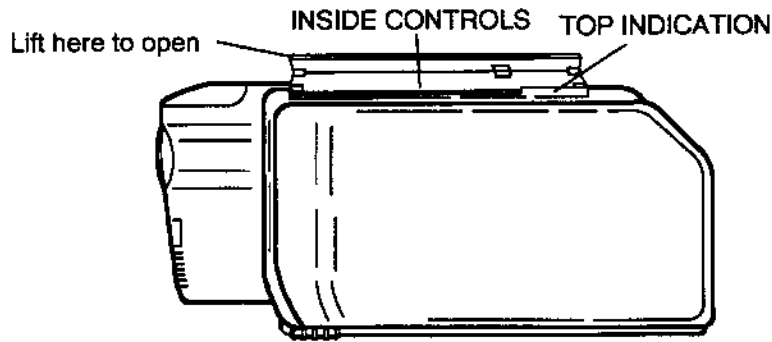
MOVING THE PROJECTOR

Use the carry handle when moving projector.

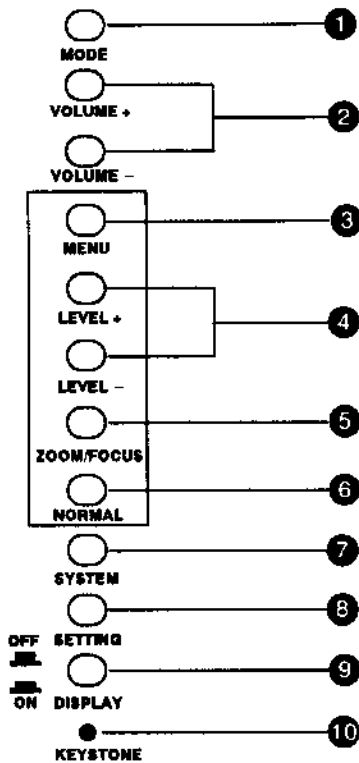


Replace the lens cover when moving the projector to prevent damage to the lens.

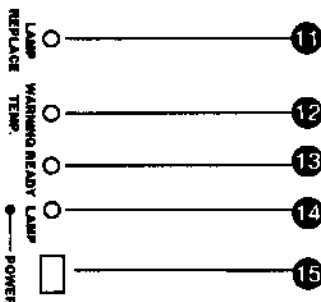
OPERATION OF CONTROLS



INSIDE CONTROLS

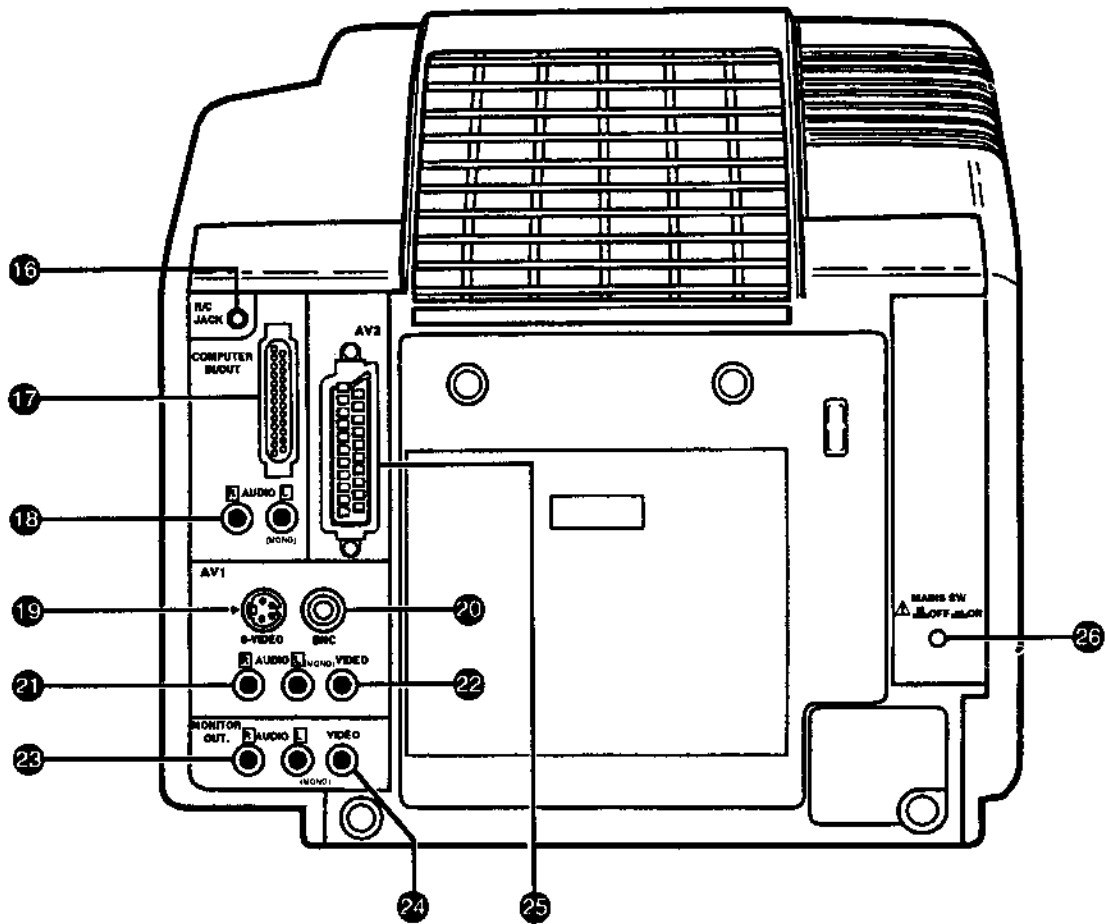


TOP INDICATION



- ① **MODE BUTTON**
Used to select video source. (Computer Input, Video Input-1 or Video Input-2)
- ② **VOLUME BUTTONS**
Used to adjust volume
- ③ **MENU BUTTON**
 - Computer Mode
Used to select on-screen adjustment displays for brightness, contrast, horizontal position, vertical position, fine sync and memory. Press repeatedly to cycle.
 - AV Mode
Used to select on-screen adjustment displays for colour, tint, brightness, contrast and sharpness. Press repeatedly to cycle.
- ④ **LEVEL CONTROL BUTTONS**
 - Computer Mode
Used to adjust zoom, focus, brightness, contrast, horizontal position, vertical position, fine sync, memory, blue back, picture scan and keystone by pressing + or - button.
 - AV Mode
Used to adjust zoom, focus, colour, tint, brightness, contrast, sharpness, superimpose, blue back, picture scan and keystone by pressing + or - button.
- ⑤ **ZOOM/FOCUS BUTTON**
Used to select power zoom lens or focus system.
- ⑥ **NORMAL BUTTON**
Used to reset to normal picture adjustment preset by factory.
- ⑦ **SYSTEM BUTTON**
 - Computer Mode
Used to select computer system.
 - AV Mode
Used to select colour system.
- ⑧ **SETTING BUTTON**
Used to select on-screen adjustment displays for superimpose, blue back and picture scan. Press repeatedly to cycle.
- ⑨ **DISPLAY BUTTON**
Used to select DISPLAY ON or DISPLAY OFF position.
- ⑩ **KEYSTONE BUTTON**
Used to select the keystone correction mode.
- ⑪ **LAMP REPLACEMENT INDICATOR**
Lights orange when projection lamp is nearing end of service life.
- ⑫ **TEMPERATURE WARNING INDICATOR**
Lights red when internal projector temperature is too high.
- ⑬ **READY INDICATOR**
Lights green when projector lamp is ready to be turned on.
- ⑭ **POWER INDICATOR**
Lights dim when the projector is on.
Lights bright when the projector is stand-by position.
- ⑮ **POWER (LAMP) ON/OFF BUTTON**
Used to turn projection lamp on or off.

BACK OF THE PROJECTOR

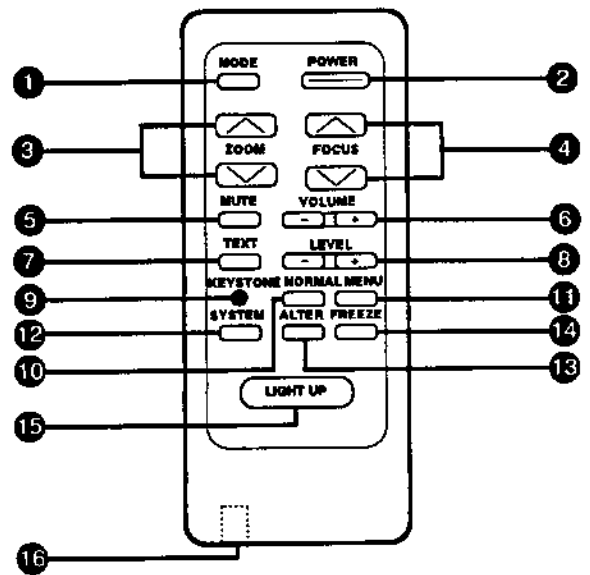


- 16 WIRED REMOTE JACK**
When using the wired remote control, connect the remote cable to this jack.
- 17 COMPUTER INPUT/OUTPUT TERMINAL**
Used to connect a computer to the projector.
- 18 COMPUTER AUDIO INPUT JACKS**
Used to connect a computer audio input to the projector.
- 19 S-VIDEO INPUT JACK**
Used to connect a S-VHS video source to the projector.
- 20 VIDEO INPUT-1 (BNC) JACK**
Used to connect a video source to the projector.
- 21 AUDIO INPUT-1 JACKS**
Used to connect an audio input to the projector.
- 22 VIDEO INPUT-1 JACK**
Used to connect a video source to the projector.
- 23 AUDIO MONITOR OUTPUT JACKS**
Permits audio connection to a monitor.
- 24 VIDEO MONITOR OUTPUT JACK**
Permits video connection to a monitor.
- 25 21-PIN TERMINAL**
Used to connect a video source with a 21-pin terminal to the projector.
- 26 MAINS ON/OFF BUTTON**
Used to turn the projector on.

REMOTE CONTROL OPERATION

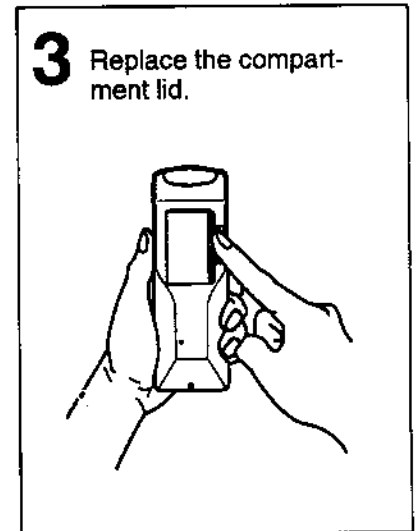
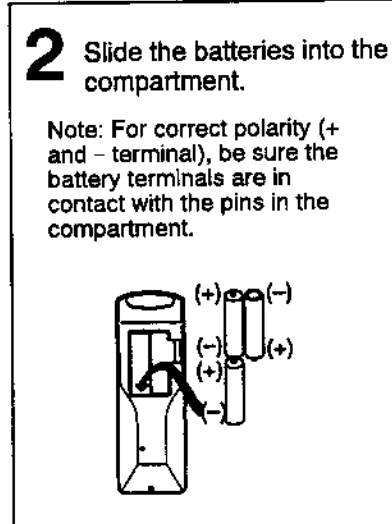
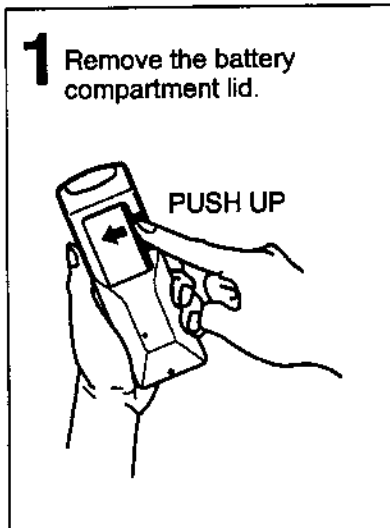
- ① **MODE BUTTON**
Used to select video source. (Computer Input, Video Input-1 or Video Input-2)
- ② **POWER (LAMP) ON/OFF BUTTON**
Used to turn projection lamp on or off.
- ③ **ZOOM BUTTONS**
Used to operate power zoom lens.
- ④ **FOCUS BUTTONS**
Used to operate power focus system.
- ⑤ **SOUND MUTE BUTTON**
Used to mute sound.
- ⑥ **VOLUME BUTTONS**
Used to adjust volume.
- ⑦ **TEXT BUTTON (Computer mode only)**
Used to select VGA TEXT (VGA 720 × 400) mode or VGA GRAPHIC (VGA 640 × 400) mode.

INFRARED/WIRED REMOTE CONTROL



- ⑧ **LEVEL CONTROL BUTTONS**
 - Computer Mode
Used to adjust brightness, contrast, horizontal position, vertical position, fine sync, memory, blue back, picture scan and keystone by pressing + or - button.
 - AV Mode
Used to adjust colour, tint, brightness, contrast, sharpness, superimpose, blue back, picture scan and keystone by pressing + or - button.
- ⑨ **KEYSTONE BUTTON**
Used to select the keystone position.
- ⑩ **NORMAL BUTTON**
Used to reset to normal picture adjustment preset by factory.
- ⑪ **MENU BUTTON**
 - Computer Mode
Used to select on-screen adjustment displays for brightness, contrast, horizontal position, vertical position, fine sync and memory. Press repeatedly to cycle.
 - AV Mode
Used to select on-screen adjustment displays for colour, tint, brightness, contrast and sharpness. Press repeatedly to cycle.
- ⑫ **SYSTEM SELECT BUTTON**
 - Computer Mode
Used to select computer system.
 - AV Mode
Used to select colour system.
- ⑬ **ALTER BUTTON**
Used to select previous video mode.
- ⑭ **FREEZE BUTTON (Computer Mode only)**
Use this button to hold a still picture on-screen.
- ⑮ **LIGHT UP BUTTON**
Press to light the back light for function buttons on the remote control unit for 5 seconds. Press any other function button during the lighting to light for another 5 seconds.
- ⑯ **WIRED REMOTE JACK**
When using the wired remote control, connect the remote cable to this jack.

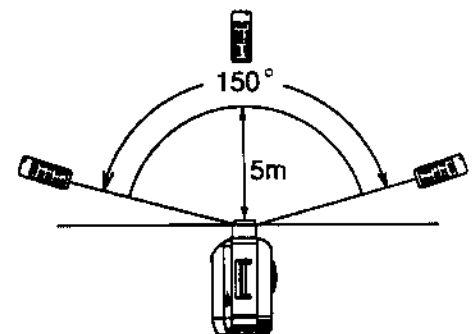
REMOTE CONTROL BATTERY INSTALLATION



The remote control unit can be used as wireless or wired remote control.

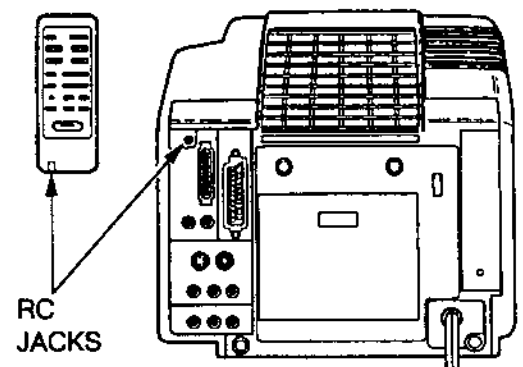
USING THE REMOTE CONTROL UNIT (wireless)

Point the remote control toward the front of the projector (Receiver window) whenever pressing the buttons. Maximum operating range for the remote control is about 5m and 150° from the front of the projector.



USING THE REMOTE CONTROL UNIT (wired)

Connect a remote control cable to RC jacks located on the remote control unit and the back of the projector.

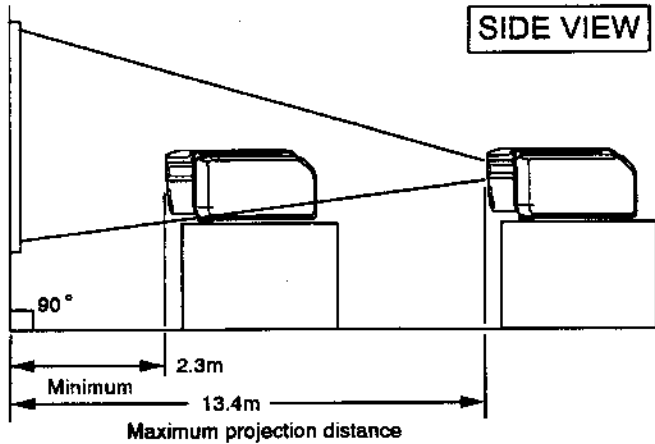


To insure safe operation, please observe the following precautions:

- * Use (3) AA, UM3 or R06 type batteries.
- * Change three batteries at the same time.
- * Do not use a new battery with a used battery.
- * Avoid contact with water.
- * Do not drop the remote control unit.

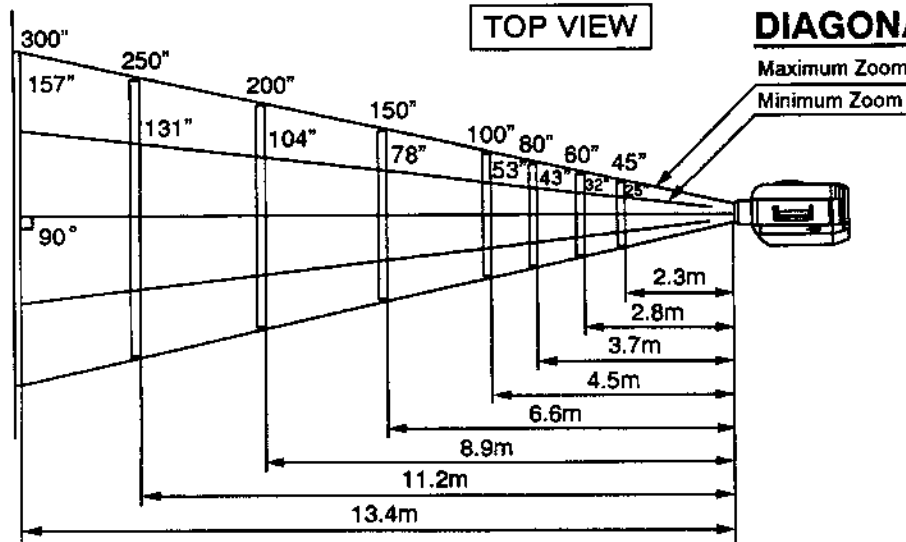
SETTING-UP THE PROJECTOR

- POSITIONING:**
- This projector is basically designed to project on a flat projection surface. If the projector is not placed at 90° angle to the screen, the projected image will have a keystone distortion. (See page 12 KEYSTONE CORRECTION.)
 - This projector can be focused from 2.3m ~ 13.4m.
 - Use the illustration below as an example when positioning the projector to the screen.



ROOM LIGHT

The projector should ideally be placed in a room with very limited light. Picture quality will be directly affected by lighting conditions.



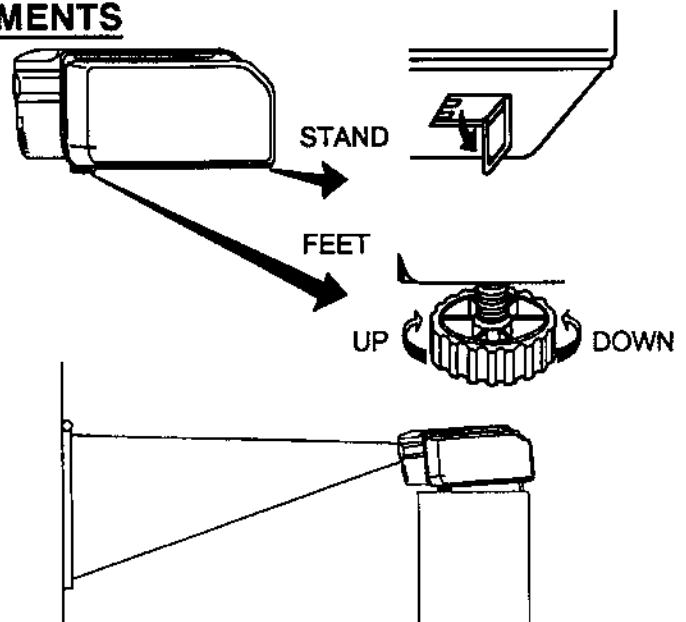
DIAGONAL IMAGE SIZES

LEVELING AND ELEVATING ADJUSTMENTS

Picture adjustments can be made with the two leveling/elevating feet.

Adjustments of 5° up are possible by rotating the feet on the bottom of the projector.

Adjustments of 5° down are possible by raising up the stand.



USING THE PROJECTOR

TO TURN ON THE PROJECTOR

Connect the projector to a video source (Computer, VCR, Video Camera, Video Disc Player, etc.) using the appropriate terminals on the rear of the projector (See page 17-23).

Connect the projector's AC power cord into a wall outlet and press the MAINS ON/OFF button (located on projector) to ON (IN) position. The POWER indicator will light RED and the READY indicator will light GREEN.

Press the POWER (LAMP) ON/OFF button on the projector or on the remote control unit to ON. The POWER indicator will light dim and the cooling fan will operate. The wait display (A MOMENT!/UN MOMENTO! and numeral 30) appears on the screen and the count-down starts (30-29-28-...1). The signal from the video source appears after 30 seconds.

A MOMENT!/UN MOMENTO!
30

CAUTION:

- **THIS PROJECTOR USES A METAL-HALIDE ARC LAMP. IF YOU TURN ON THE LAMP, DO NOT TURN IT OFF FOR AT LEAST 5 MINUTES SO THAT ITS LIFE WILL NOT GET SHORTER.**
- **DO NOT UNPLUG THE PROJECTOR OR PRESS MAINS ON/OFF BUTTON (LOCATED ON PROJECTOR) TO OFF UNTIL THE COOLING FAN HAS STOPPED OPERATING.**

NOTE 1: After you turn off the projector using the POWER (LAMP) ON/OFF button on the projector (or on the remote control unit) you must wait one minute before you can turn the projector on again.

NOTE 2: TEMPERATURE WARNING INDICATOR flashes red, the projector will automatically turn off. Wait at least 5 minutes before turning the projector on.

If the TEMPERATURE WARNING INDICATOR continues to flash, follow the procedures below:

- (1). Press POWER (LAMP) ON/OFF button to OFF.
- (2). Check the air filter for dust accumulation.
- (3). Remove dust with vacuum cleaner (See air filter care and cleaning on page 24.)
- (4). Press POWER (LAMP) ON/OFF button to ON.

If the TEMPERATURE WARNING INDICATOR still continues to flash, call your authorized distributor or dealer for service.

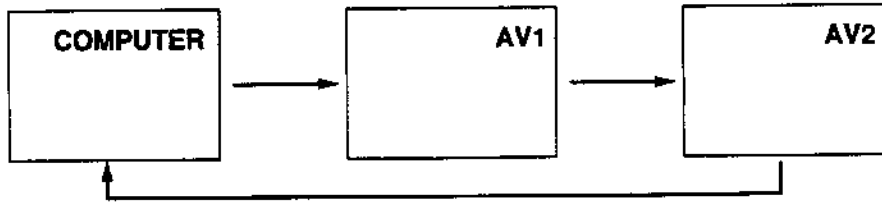
TO TURN OFF THE PROJECTOR

Press the POWER (LAMP) ON/OFF button on the projector (or on the remote control unit) to OFF. The POWER indicator will light bright and READY indicator will turn off. The cooling fan will operate for 1 minute after the projector is turned off. (During this "cooling down" period, the projector can not be turned on.) After 1 minute, the READY indicator will light green again and the projector may be turned on by pressing the POWER (LAMP) ON/OFF button.

ADJUST THE PROJECTOR

VIDEO MODE SELECT

Press the MODE button (located on projector or remote control unit) to select Computer Input, Video Input-1 or Video Input-2. The "COMPUTER", "AV1" or "AV2" display will appear on the screen.



Press the ALTER button on the remote control unit to alternate quickly between the two modes. (Current mode and Previous mode)

For example, Computer IN/OUT Terminals and AV1 are connected with personal computer and VCR respectively. Firstly project computer image on the screen. Secondly press MODE button to select AV1. And then, press ALTER button to select previous mode (Computer mode).

CURRENT MODE	PREVIOUS MODE
AV1 MODE	←→ COMPUTER MODE
COMPUTER MODE	←→ AV2 MODE
AV2 MODE	←→ AV1 MODE

VOLUME ADJUSTMENT

Press VOLUME buttons (located on projector or remote control unit) to adjust the volume. The screen display will appear.

Pressing (+) will increase volume and the green indicator will increase to the right on the screen.

Pressing (-) will decrease volume and the green indicator will decrease to the left on the screen.

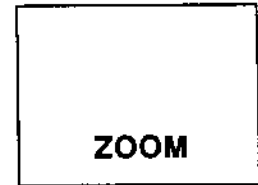


SOUND MUTE ADJUSTMENT

Pressing SOUND MUTE button on the remote control unit will mute audio. Press SOUND MUTE button again to restore audio to its previous level.

ZOOM ADJUSTMENT (Without remote control unit)

Press ZOOM/FOCUS button until zoom display appears on the screen, and press LEVEL (+) or (-) to obtain your desired picture size. (The zoom display will appear for 5 seconds.) For a larger picture, press (+) and for a smaller picture, press (-).

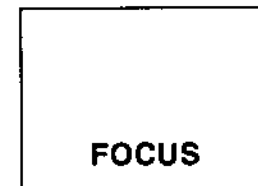


ZOOM ADJUSTMENT (With remote control unit)

Press ZOOM (^) or (v) to obtain your desired picture size. (The zoom display will appear for 5 seconds.) For a larger picture, press (^) and for a smaller picture, press (v).

FOCUS ADJUSTMENT (Without remote control unit)

Press ZOOM/FOCUS button until focus display appears on the screen, and press LEVEL (+) or (-) for sharper, crisper picture. (The focus display will appear for 5 seconds.)



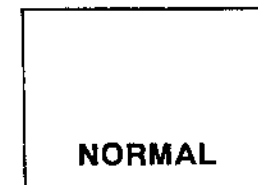
FOCUS ADJUSTMENT (With remote control unit)

Press FOCUS (^) or (v) for sharper, crisper picture. (The focus display will appear for 5 seconds.)

PICTURE ADJUSTMENT

The normal picture level is factory preset on the projector and can be obtained anytime by pressing the NORMAL button on the projector, or on the remote control unit. (The Normal display will appear for 5 seconds.)

Picture adjustments can be made by using the MENU and LEVEL buttons on the projector, or on the remote control unit. (See picture adjustment on page 15-16.)

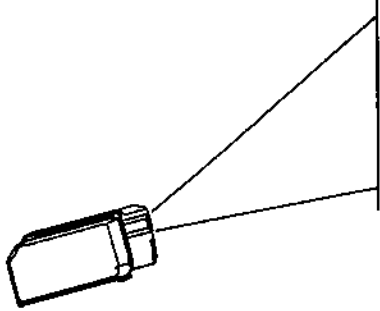


KEYSTONE CORRECTION

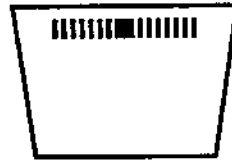
When the projector is used at upper or lower position, keystone distortions appear at the bottom or top of the screen. The keystone can be corrected as follows:

● LOW MOUNT PROJECTION

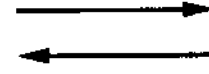
If the projector is mounted low, the keystone will appear at the top of the screen. Press keystone button on the projector, or remote control unit using the tip of a ball-point pen until the bar appears on the top of the screen. Press the level (-) button until the keystone is corrected.



TOP KEYSTONE CORRECTION DISPLAY



PRESS (-) LEVEL
BUTTON

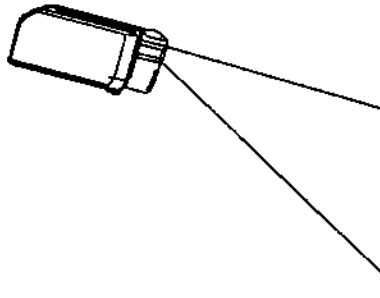


PRESS (+) LEVEL
BUTTON



● HIGH MOUNT PROJECTION

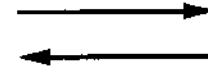
If the projector is mounted high, the keystone will appear at the bottom of the screen. Press keystone button on the projector, or remote control unit using the tip of a ball-point pen until the bar appears on the bottom of the screen. Press the level (-) button until the keystone is corrected.



BOTTOM KEYSTONE CORRECTION DISPLAY



PRESS (-) LEVEL
BUTTON



PRESS (+) LEVEL
BUTTON



NOTE: The projector is equipped with a built-in memory feature that eliminates the need to readjust the keystone each time the projector is turned off and the AC power cord is disconnected.

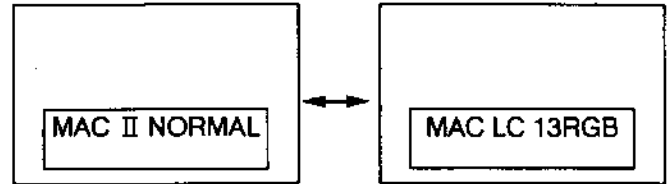
SYSTEM SELECT

● AT COMPUTER MODE

Press the SYSTEM button (located on projector or remote control unit) to select your computer system.

For example; The display of "MAC II NORMAL" will appear on-screen when the signal comes from Mac II normal, Super Mac and/or Raster Ops.

In case of connecting Mac LC 13" RGB monitor, press SYSTEM button to select the display of "MAC LC 13 RGB".



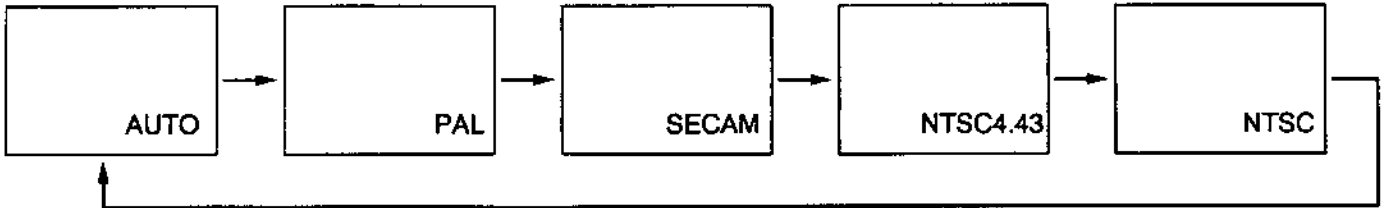
● AT AV MODE

Press the SYSTEM button (located on projector or remote control unit) to select AUTO, PAL, SECAM, NTSC4.43 or NTSC.

Each time the SYSTEM button is pressed, the colour system changes as follows:

When the colour system is set to "AUTO" position, this projector can receive colour programs from one of the 4 systems (PAL, SECAM, NTSC4.43 or NTSC), automatically.

If the picture quality is poor, make sure the proper colour system is selected to match the video source.

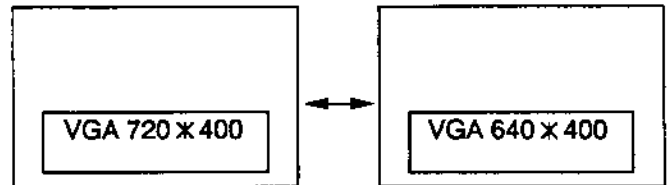


TEXT SELECT

(VGA 720 × 400 and VGA 640 × 400 used only)

Press the TEXT button on the remote control unit to select "VGA 720 × 400"-TEXT- or "VGA 640 × 400"-GRAPHIC-.

NOTE: "720 × 400" TEXT mode is projected to be compressed as "640 × 400". In this mode, Keystone correction can not be operated.



DISPLAY ON/OFF SELECT

Press the DISPLAY button (located on projector) to ON(IN) position, to see the on-screen display of all setting and adjustments. Press the DISPLAY button (located on projector) to OFF(OUT) position, to see the on-screen display of any setting and adjustments. In this mode, Zoom and Focus adjustments can not be operated by Zoom/Focus button on the projector.

FREEZE FUNCTION (COMPUTER Mode only)

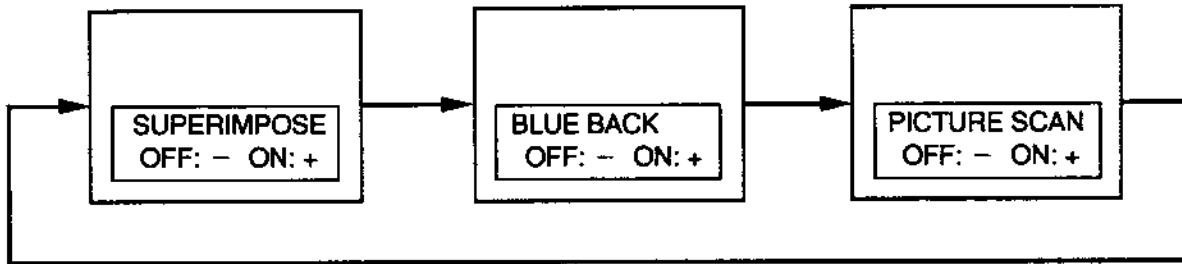
Press the FREEZE button on the remote control unit, and then, the still picture will remain on-screen. This function is cancelled when the FREEZE button is pressed again or any other function button is pressed.

NOTE: Your computer is not affected by this function, and will continue to run.

OTHER PICTURE CONTROLS

This projector has other picture control functions; superimpose, blue back and picture scan. These picture control by using **SETTING** and **LEVEL** buttons on the projector.

1. Press **SETTING** button to select the picture control function.
Each time the **SETTING** button is pressed, the control function changes as follows:



2. Adjust the superimpose, blue back or picture scan function by pressing **LEVEL** (- and +) buttons.
3. The **ON-SCREEN** display will disappear automatically in 5 seconds.

SUPERIMPOSE (AV Mode only)

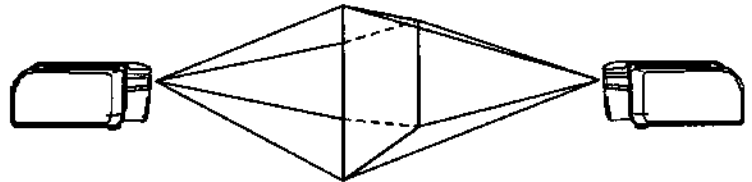
When this function is "ON" position, the projector produces white character and lines on a blue background.

BLUE BACK

When this function is "ON" position, the projector will project the blue image without video noise on the screen when the video source is unplugged or turned off.

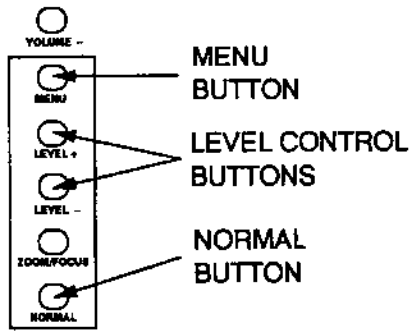
PICTURE SCAN

When this function is "ON" position, versatile left/right picture reverse capability lets you project onto the screen from in front from behind.

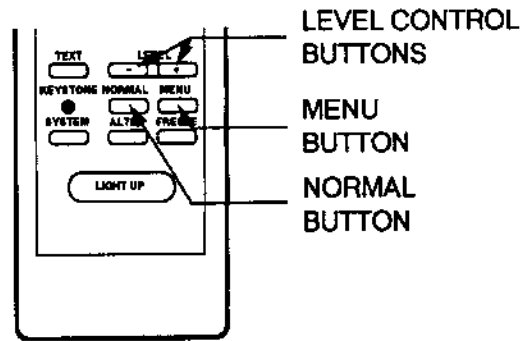


PICTURE ADJUSTMENTS

INSIDE CONTROLS OF THE PROJECTOR



REMOTE CONTROL UNIT

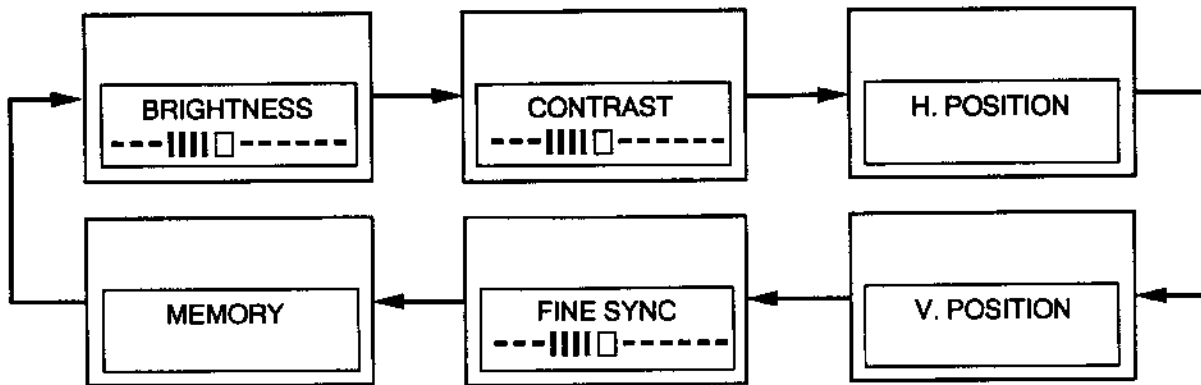


(A) COMPUTER MODE

Picture adjustments have been preset at the factory to our quality standards. The picture adjustments can be made by the MENU and LEVEL buttons on the projector or on the remote control unit.

1. Press the MENU button to select the picture adjustments function.

Each time the MENU button is pressed, the control function changes as follows:



2. Adjust the brightness, contrast, H. position, V. position or fine sync by pressing the LEVEL (+ and -) buttons.
3. The ON-SCREEN display will disappear automatically in 5 seconds.

- LEVEL + 	
BRIGHTNESS	DARKER ← → BRIGHTER
CONTRAST	SOFTER ← → SHARPER
H. POSITION	LEFT ← → RIGHT
V. POSITION	DOWNWARD ← → UPWARD
FINE SYNC	Press the LEVEL CONTROL buttons (- or +) as necessary to eliminate flicker from the display.

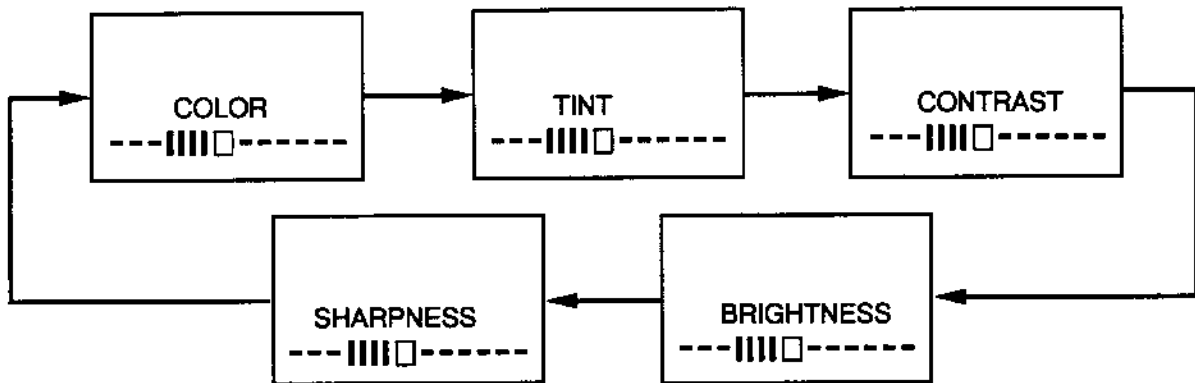
4. Then press the MENU button to select the MEMORY menu. Press the LEVEL + button to save the picture adjustment levels in memory.

NOTE: The projector is equipped with a built-in memory feature that can maintain the picture adjustment levels if the projector is turned off and AC power cord is disconnected. If NORMAL button is pressed, the projector will return to factory preset level.

(B) AV1 and AV2 MODE

Picture adjustments have been preset at the factory to our quality standards. The picture adjustments can be made by the MENU and LEVEL buttons on the projector or on the remote control unit.

1. Press the MENU button to select the picture adjustments function.
Each time the MENU button is pressed, the control function changes as follows:



NOTE: 1. "TINT" will be skipped during in the PAL and SECAM mode.

2. Adjust the colour intensity, tint, contrast, brightness or sharpness by pressing the LEVEL (+ and -) buttons.
3. The ON-SCREEN display will disappear automatically in 5 seconds.

<p style="text-align: center;">- + LEVEL ← → </p> <p>• Press the LEVEL CONTROL buttons to make adjustments. Refer to the control chart below.</p>	
COLOUR	DECREASES ← → INCREASES
TINT	MORE GREEN ← → MORE PURPLE
CONTRAST	SOFTER ← → SHARPER
BRIGHTNESS	DARKER ← → BRIGHTER
SHARPNESS	SOFTER ← → SHARPER

NOTE: The projector is equipped with a built-in memory feature that can maintain the picture adjustment levels set on AV1 and AV2 respectively even if the projector is turned off and AC power cord is disconnected. If the NORMAL button is pressed, the projector will return to factory preset level.

CONNECTING THE PROJECTOR

Your projector is equipped with various audio/video inputs and outputs including Computer DB25-pin terminals, S-VHS video input and 21-pin terminals.

COMPUTER MODE

This projector is compatible with many different types of personal computers: using the adapter Y cable provided, it can be connected directly to any VGA, MAC II and MAC LC or compatible computers equipped with CGA, EGA, PC-9801 (640 × 400), PC-9821 (640 × 400), PC-9821 (640 × 480), FM-TOWNS (640 × 400) and FM-TOWNS (640 × 480). (adapter cable not provided).

CONNECTING TO THE COMPUTER INPUT/OUTPUT DB25-PIN TERMINAL

Personal computers can be connected to the DB25-pin terminal on the projector.

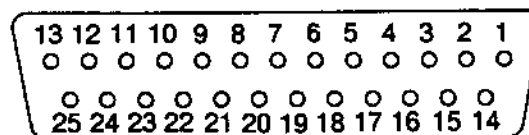
- Connect the computer to this terminal using the adapter cable (two type of adapter Y cables are provided).

WARNING: For projectors, adapter Y cable provided is designed to reduce RFI (Radio Frequency Interference) emissions. This cable must be used and must not be replaced by any other cable.

Specification of DB25-pin terminal

Pin No.	Signal		Pin No.	Signal
1.	Red input (Analog)	0.7 Vp-p/75 ohm	14.	Earth
2.	Green input (Analog)	0.7 Vp-p/75 ohm	15.	Earth
3.	Blue input (Analog)	0.7 Vp-p/75 ohm	16.	Earth
4.	Red output (Analog)	0.7 Vp-p/75 ohm	17.	Red input (TTL)
5.	Green output (Analog)	0.7 Vp-p/75 ohm	18.	Green input (TTL)
6.	Blue output (Analog)	0.7 Vp-p/75 ohm	19.	Blue input (TTL)
7.	ID 0		20.	r input (TTL, EGA)
8.	ID 1		21.	g input (TTL, EGA), CGA Intensity
9.	ID 2		22.	b input (TTL, EGA)
10.	Earth		23.	NC
11.	Earth		24.	Earth
12.	V. Sync		25.	Earth
13.	H. Sync			

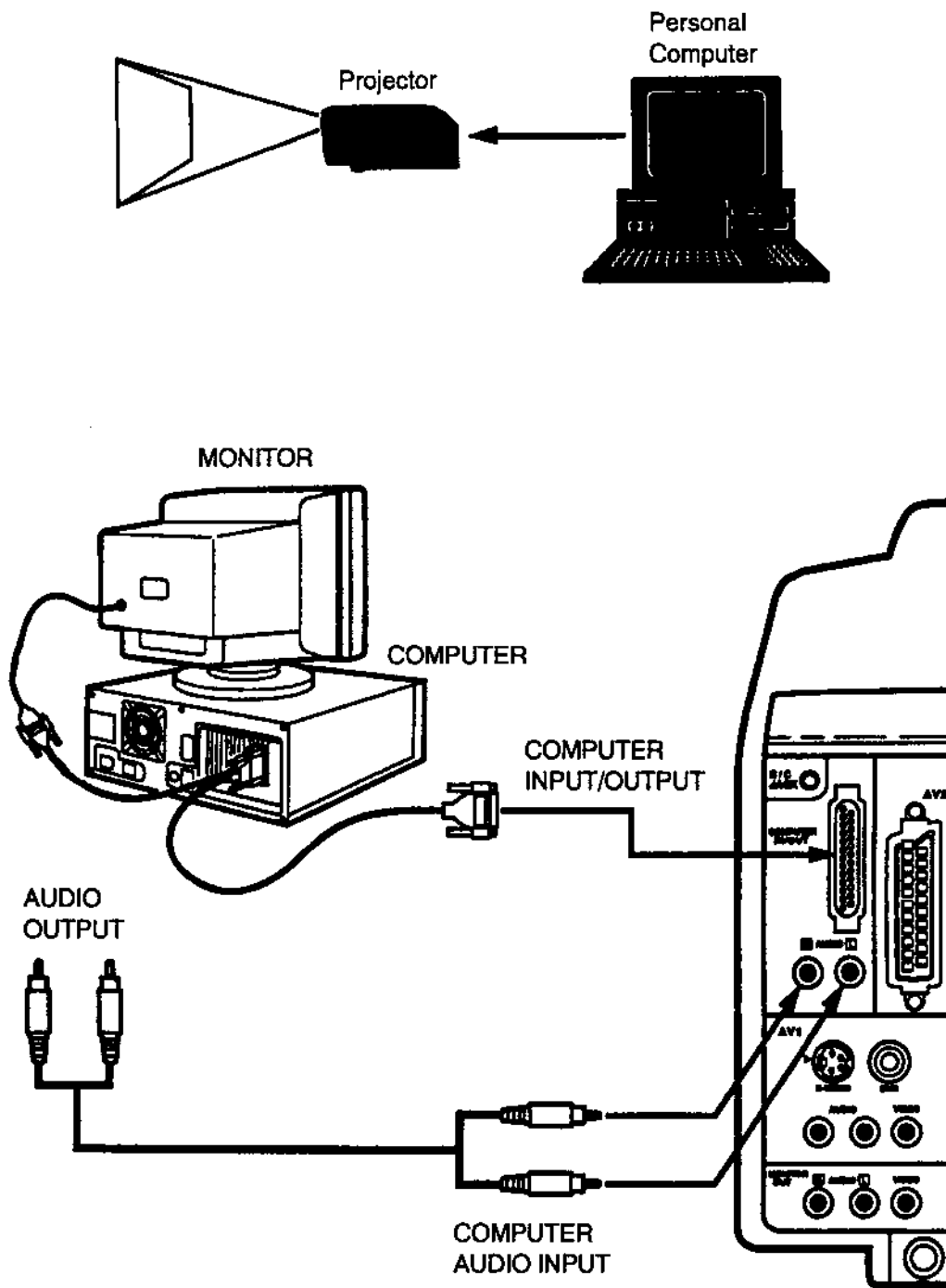
DB25 -PIN TERMINAL



CONNECTING TO THE COMPUTER AUDIO INPUT JACKS

- Connect audio outputs from your computer to these jacks.
- If the audio input of the audio equipment is stereo, be sure to connect the right and left channels to the respective right and left jacks.
- If the audio input of the audio equipment is monaural, connect it to the left jack.

CONNECTING THE PROJECTOR TO A COMPUTER



NOTE: The hook up should be done as per the above illustration. After hook up, turn on the personal computer and monitor and the POWER(LAMP) ON/OFF button to light the projection lamp. Otherwise, the monitor's image does not appear.

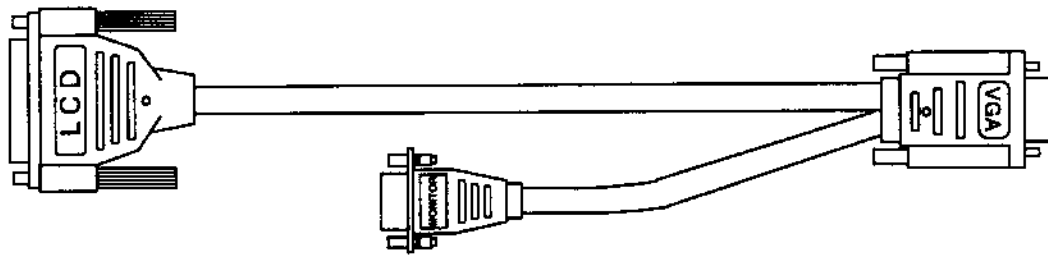
COMPATIBLE PERSONAL COMPUTER SPECIFICATIONS

ON-SCREEN DISPLAY	COMPATIBLE COMPUTER	DOT × LINES	fH (kHz)	1V(LINE)	POLA.	
					H	V
CGA TEXT	CGA TEXT	640 × 200	15.70	262	+	+
CGA GRAPHIC	CGA GRAPHIC	640 × 200	15.70	262	+	+
EGA TEXT	EGA TEXT	640 × 350	21.62	366	+	-
EGA GRAPHIC	EGA GRAPHIC	640 × 350	21.85	366	+	-
FMT 640 × 400	FM-TOWNS (640 × 400)	640 × 400	24.37	440	-	-
PC98 640 × 400	PC-9801 (640 × 400)	640 × 400	24.83	440	-	-
	PC-9821 (640 × 400)	640 × 400	24.83	440	-	-
VGA 640 × 400	VGA 640 × 400	640 × 400	31.47	449	-	+
VGA 720 × 400	VGA 720 × 400	720 × 400	31.47	449	-	+
VGA 640 × 350	VGA 640 × 350	640 × 350	31.47	449	+	-
VGA 640 × 480	VGA 640 × 480	640 × 480	31.47	525	-	-
	PC-9821 (640 × 480)	640 × 480	31.47	525	-	-
	FM-TOWNS (640 × 480)	640 × 480	31.47	525	-	-
	MBC-P100J	640 × 480	31.47	525	-	-
	J-3100VS	640 × 480	31.47	525	-	-
	T-4500C	640 × 480	31.32	525	-	-
VGA 640 × 400 525 LINE	VGA 640 × 400 525 LINE	640 × 400	31.47	525	-	+
VGA 640 × 350 525 LINE	VGA 640 × 350 525 LINE	640 × 350	31.47	525	+	-
MAC II NORMAL	MAC II (NORMAL)	640 × 480	35.00	525	-	+
	MAC II (SuperMac)	640 × 480	35.00	525	-	+
	MAC II (RasterOps)	640 × 480	35.00	525	-	+
MAC LC 13RGB	MAC LC (13"RGB-MO)	640 × 480	34.97	525	-	-

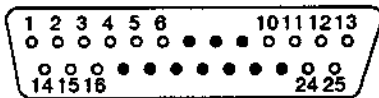
Specifications are subject to change without notice.

ACCESSORIES ADAPTER CABLE SPECIFICATIONS

(A) VGA Y CABLE

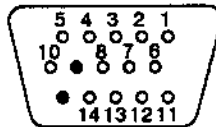


LCD Projector
DB25 (Male)



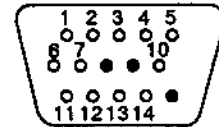
Pin No./Signal
1 R input
2 G input
3 B input
4 R output
5 G output
6 B output
7 _____
8 _____
9 _____
10 Earth (H, V)
11 Earth (H, V)
12 V-sync.
13 H-sync.
14 R return
15 G return
16 B return
17 _____
18 _____
19 _____
20 _____
21 _____
22 _____
23 _____
24 Earth
25 Earth

Monitor
HD-DB15 (Female)



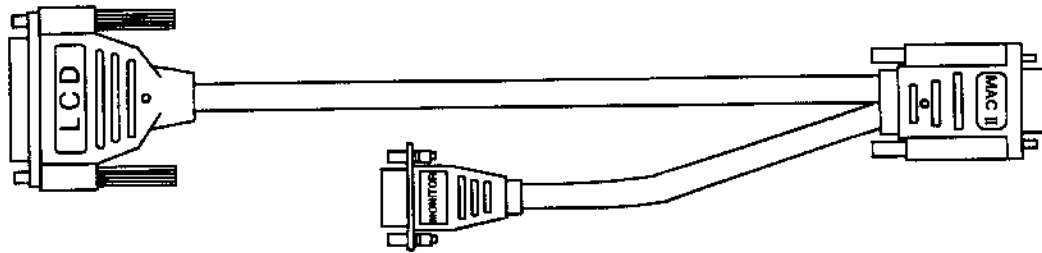
Pin No./Signal
1 R input
2 G input
3 B input
4 Sense 2
5 Not used
6 R Return
7 G Return
8 B Return
9 _____
10 Earth (H,V)
11 Sense 0
12 Sense 1
13 H-sync.
14 V-sync.
15 _____

Computer
HD-DB15 (Male)



Pin No./Signal
1 R output
2 G output
3 B output
4 Sense 2
5 Not used
6 Not used
7 Return (R, G, B)
8 _____
9 _____
10 Earth (H,V)
11 Sense 2
12 Sense 1
13 H-sync.
14 V-sync.
15 _____

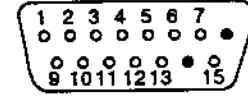
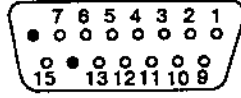
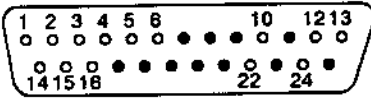
(B) MAC II Y CABLE



LCD Projector
DB25 (Male)

Monitor
DB15 (Female)

Computer
DB15 (Male)



Pin No./Signal

- 1 R input
- 2 G input
- 3 B input
- 4 R output
- 5 G output
- 6 B output
- 7 _____
- 8 _____
- 9 _____
- 10 Earth (Comp. & V)
- 11 _____
- 12 V-sync.
- 13 H-sync.
- 14 R Return
- 15 G Return
- 16 B Return
- 17 _____
- 18 _____
- 19 _____
- 20 _____
- 21 _____
- 22 Not used
- 23 _____
- 24 Earth (Comp. & V)
- 25 _____

Pin No./Signal

- 1 R Return
- 2 R input
- 3 Comp.-sync.
- 4 Sense 0
- 5 G input
- 6 G Return
- 7 Sense 1
- 8 _____
- 9 B input
- 10 Sense 2
- 11 Earth (Comp. & V)
- 12 V-sync.
- 13 B Return
- 14 _____
- 15 H-sync.

Pin No./Signal

- 1 R Return
- 2 R output
- 3 Comp.-sync.
- 4 Sense 0
- 5 G output
- 6 G Return
- 7 Sense 1
- 8 _____
- 9 B output
- 10 Sense 2
- 11 Earth (Comp. & V)
- 12 V-sync.
- 13 Not used
- 14 _____
- 15 H-sync.

AV MODE (AV-1 or AV-2)

CONNECTING TO THE AV1 INPUT JACKS

Connect to the video and audio outputs of a VCR, video disc player, video camera, satellite TV tuner or other AV equipment.

- Connect video/audio outputs from external sources to these input jacks.
- If the audio signal from the AV equipment is stereo, be sure to connect the right and left channels to the respective right and left audio input jacks.
- If the external audio signal is monaural, connect it to the left jack.
- Do not connect the video sources to the AV1 (PHONO TYPE) together with the BNC TYPE jack. Use one video input only for AV1.

S-VHS FORMAT VCR CONNECTION

The AV1 input includes an extra video input jack marked S-VIDEO to allow connection to an S-VHS format VCR that has separate Y/C video signals. The S-VIDEO jack has priority over the VIDEO (PHONO TYPE or BNC TYPE) jack.

CONNECTING TO THE AV2 21-PIN TERMINAL

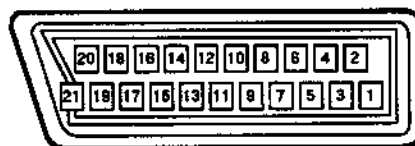
VCR, Video disc player or other AV equipment can be connected to the 21-pin terminal on the rear of the projector. When the 21-pin terminal is used for connection of AV equipment, note the following points.

- When using the equipment with the output function signal into PIN No. 8 of 21-pin terminal below, the VIDEO MODE is automatically set to "AV2" and VIDEO MODE selection is not required. And when using equipment without the output function signal, press VIDEO MODE select button on the projector or remote control to select "AV2" mode.

Specification of 21-pin terminal

Pin No.	Signal		Pin No.	Signal	
1.	Audio output (right channel)	0.5 Vrms/ \leq 1 K ohm	11.	Green (G) input	0.7 Vp-p /75 ohm
2.	Audio input (right channel)	0.5 Vrms/ \geq 10 K ohm	12.	Not used	_____
3.	Audio output (left channel)	0.5 Vrms/ \leq 1 K ohm	13.	Earth (red)	_____
4.	Earth (audio)	_____	14.	Earth	_____
5.	Earth (blue)	_____	15.	Red (R) input	0.7 Vp-p/75 ohm
6.	Audio input (left channel)	0.5 Vrms/ \geq 10 K ohm	16.	Fast blanking	L: 0-0.4V, H:1-3V
7.	Blue (B) input	0.7 Vp-p 75 ohm	17.	Earth (video)	_____
8.	Function switching	L: 0-2V, H-12V	18.	Earth	_____
9.	Earth (green)	_____	19.	Video sync. output	1 Vp-p/75 ohm
10.	Not used	_____	20.	Video sync. input	1 Vp-p/75 ohm
			21.	Earth	_____

21-PIN TERMINAL

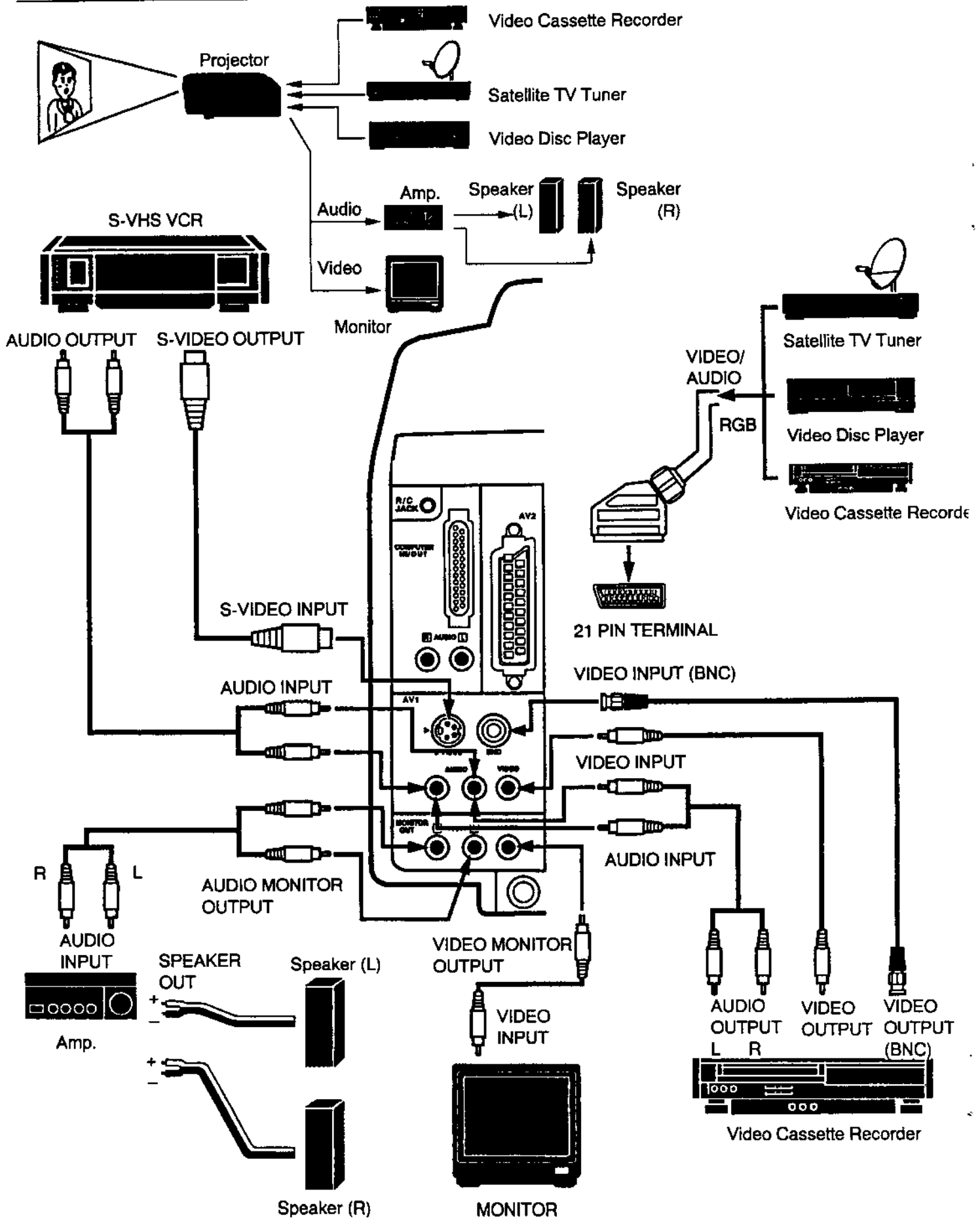


CONNECTING TO THE MONITOR OUTPUT JACKS

These jacks will contain the audio/video information of the selected program source being viewed on the screen. If you have selected program source AV1 the audio signals connected to the AV1 jacks will be available at the monitor output jacks.

- Connect video/audio inputs from AV equipment to these output jacks.
- If the audio input of the audio equipment is stereo, be sure to connect the right and left channels to the respective right and left jacks.
- If the audio input of the audio equipment is monaural, connect it to the left jack.
- Whenever the S-VIDEO signal source is viewed on the screen, the video signal available at the MONITOR OUTPUT jack will be in black and white (monochrome).

HOW TO CONNECT EXTERNAL AV EQUIPMENT




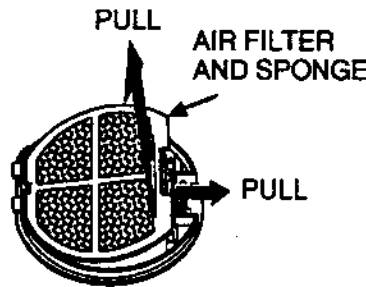
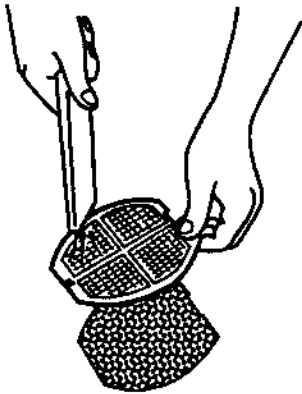
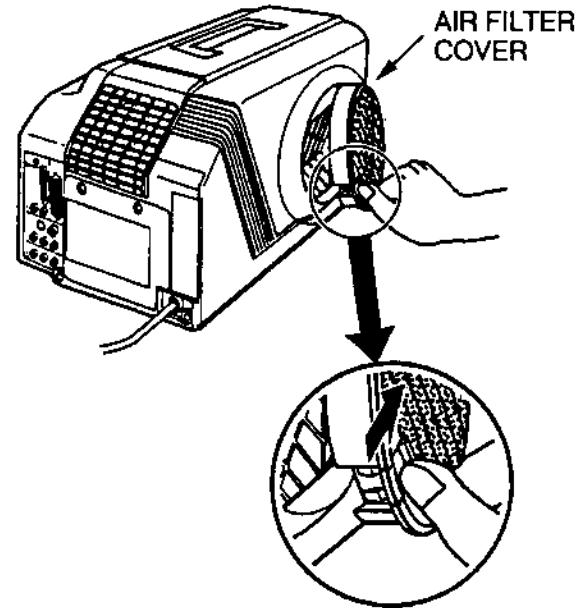
AIR FILTER CARE AND CLEANING

The removable air filter prevents dust from accumulating on the surface of the projection lens and projection mirror. Should the air filter become clogged with dust particles, it will reduce the cooling fan's effectiveness and may result in internal heat built up and reduce the life of the projection lamp.

To clean the air filter, follow the cleaning procedures below:

1. Turn the POWER (LAMP) ON/OFF button OFF.
2. Remove the air filter cover from the side of the projector.
3. Remove the air filter and sponge from the filter cover.
4. Clean the air filter and sponge with a vacuum cleaner.
5. Replace the air filter and sponge. Make sure that air filter cover is fully inserted.

 Do not clean with water. Doing so may damage the air filter.
Do not operate the projector with air filter removed.



LAMP REPLACEMENT & TEMPERATURE WARNING INDICATORS

LAMP REPLACEMENT INDICATOR

When the lamp nears the end of its service life, the picture quality and colour quality will deteriorate and the lamp replacement indicator will light orange.

 **DO NOT ATTEMPT TO REMOVE OR CHANGE THE PROJECTION LAMP. THE LAMP CAN ONLY BE CHANGED BY QUALIFIED SERVICE PERSONNEL.**

TEMPERATURE WARNING INDICATOR

The TEMPERATURE WARNING INDICATOR lights red when the internal temperature of the projector exceeds the normal temperature.

Possible causes for the temperature warning may be:

1. Ventilation slots at the rear or bottom of the projector are blocked. In such an event, reposition the projector so that ventilation slots are not obstructed.
2. Air filter is clogged with dust particles. Remove dust from the air filter by following instructions in the Air Filter Care and Cleaning section above.
If temperature warning indicator remains on after performing the checks listed above, cooling fan/internal circuits may be malfunctioning. Request service from an authorized dealer or service station.

HELPFUL HINTS-Problems and Solutions

Check the following chart before requesting service.

Problem:	Try these Solutions:
No power	<ul style="list-style-type: none">● Plug the projector into an AC outlet.● Press the MAINS ON/OFF button to ON.● Press the POWER (LAMP) ON/OFF button to ON.● Check the READY INDICATOR light ON.● One minute has not passed after the projector turned OFF. <p>NOTE: After pressing the POWER (LAMP) ON/OFF button to OFF, the projector functions as follows.</p> <ol style="list-style-type: none">1. The POWER and READY indicator will turn off.2. The cooling fan will operate for 1 minute after the projector is turned off. (During this "cooling down period, the projector can not be turned on.)3. After 1 minute, the READY indicator will light green again and the projector may be turned on by pressing the POWER (LAMP)ON/OFF button.
No sound from built-in speaker	<ul style="list-style-type: none">● Press the VOLUME (▲) and (▼) to (▲).● Check audio cable connection from audio input source.
Picture is reversed	<ul style="list-style-type: none">● Check PICTURE SCAN FEATURE.
Picture blurred or colour faded	<ul style="list-style-type: none">● Check the projection distance 2.3m ~ 13.4m.● Adjust the FOCUS control. <p>NOTE: Moving the projector from a cool temperature location to a warm temperature location may result in moisture condensation on the lens. In such an event, leave the projector OFF and wait until condensation disappears.</p>

TECHNICAL SPECIFICATIONS

SPECIFICATIONS

Projector Type	Portable Data & Video Colour Projector
Dimensions (H x W x D)	253 mm × 268 mm × 572 mm
Net Weight	13.2 kg (29.1 lbs)
LCD Panel System	3.1" TFT Active Matrix type (Thin Film Transistor) × 3
Number of Pixels	921,600 (307,200 × 3)
Colour System	4 colour system (PAL, SECAM, NTSC4.43 and NTSC)
Projection Image Size (Diagonal)	63 cm to 762 cm (25 to 300 inch) Adjustable
Contrast Ratio	100 :1
Horizontal Resolution	550 TV lines
Projection Lens	f4.2~ 4.5 lens with 135 mm ~ 270 mm Motor-drive zoom and focus
Lens Aperture	67 mm
Throw Distance	2.3 m ~ 13.4 m
Projection Lamp	Metal Halide, 180 watt
Projection Mirror	Dichroic mirror system
AV Input jacks	PHONO Type × 1 (Video, Audio R and L), BNC Type × 1 DIN 4 pin (S-Video) × 1 and 21 pin (SCART) × 1
Computer Input/Output Jack	DB25 Terminal × 1
Computer Audio Input Jack	PHONO Type × 1 (R and L)
Video Monitor Output Jack	PHONO Type × 1
Audio Monitor Output Jacks	PHONO Type × 1 (R and L)
Built-in Speaker	INT. SP. Monaural, 3 watt RMS (T.H.D. 10%)
Image Elevation Adjustment	Up 5° , Down 5°
Voltage	100 ~ 120V, 200 ~ 240V AC, 50/60 Hz
Power Consumption	275 Watts
Operating Temperature	5°C ~ 35°C
Storage Temperature	- 10°C ~ 60°C
Remote Control Battery	AA, UM3 or R06 type × 3
Standard Accessories	Remote Control Unit, R/C Cable (1.5m), AC Power Supply Cord, VGA Y Cable, MAC II Y Cable, Lens Cover, Owner's Instruction Manual and Protective Dust Cover

Printed in Japan
Part No. 610 249 2033 (1AA6P1P0273-- G8DK)

SANYO

SANYO Electric Co., Ltd