

NEC

Portable Projector

LT180

User's Manual



IMPORTANT INFORMATION

Safety Cautions

Precautions

Please read this manual carefully before using your NEC LT180 Projector and keep the manual handy for future reference. Your serial number is located on the bottom of your projector. Record it here:

**CAUTION**

To turn off main power, be sure to remove the plug from power outlet. The power outlet socket should be installed as near to the equipment as possible, and should be easily accessible.

**CAUTION**

TO PREVENT SHOCK, DO NOT OPEN THE CABINET.
NO USER-SERVICEABLE PARTS INSIDE.
REFER SERVICING TO QUALIFIED SERVICE PERSONNEL.



This symbol warns the user that uninsulated voltage within the unit may be sufficient to cause electrical shock. Therefore, it is dangerous to make any kind of contact with any part inside of the unit.



This symbol alerts the user that important information concerning the operation and maintenance of this unit has been provided. The information should be read carefully to avoid problems.

WARNING

**TO PREVENT FIRE OR SHOCK, DO NOT EXPOSE THIS UNIT TO RAIN OR MOISTURE.
DO NOT USE THIS UNIT'S PLUG WITH AN EXTENSION CORD OR IN AN OUTLET UNLESS ALL THE PRONGS CAN BE FULLY INSERTED.
DO NOT OPEN THE CABINET. THERE ARE HIGH-VOLTAGE COMPONENTS INSIDE. ALL SERVICING MUST BE DONE BY QUALIFIED SERVICE PERSONNEL.**

DOC Compliance Notice

This Class B digital apparatus meets all requirements of the Canadian Interference-Causing Equipment Regulations.

Acoustic Noise Information Ordinance-3. GSGV:

The sound pressure level is less than 70 dB (A) according to ISO 3744 or ISO 7779.

WARNING TO CALIFORNIA RESIDENTS:

Handling the cables supplied with this product will expose you to lead, a chemical known to the State of California to cause birth defects or other reproductive harm. Wash hands after handling.

**CAUTION**

Do not put the projector on its side when the lamp is turned on. Doing so may cause damage to the projector.

RF Interference

WARNING

The Federal Communications Commission does not allow any modifications or changes to the unit EXCEPT those specified by NEC Solutions (America), Inc. in this manual. Failure to comply with this government regulation could void your right to operate this equipment. This equipment has been tested and found to comply with the limits for a Class B digital device, pursuant to Part 15 of the FCC Rules. These limits are designed to provide reasonable protection against harmful interference in a residential installation. This equipment generates, uses, and can radiate radio frequency energy and, if not installed and used in accordance with the instructions, may cause harmful interference to radio communications. However, there is no guarantee that interference will not occur in a particular installation. If this equipment does cause harmful interference to radio or television reception, which can be determined by turning the equipment off and on, the user is encouraged to try to correct the interference by one or more of the following measures:

- Reorient or relocate the receiving antenna.
- Increase the separation between the equipment and receiver.
- Connect the equipment into an outlet on a circuit different from that to which the receiver is connected.
- Consult the dealer or an experienced radio / TV technician for help.

In UK, a BS approved power cable with moulded plug has a Black (five Amps) fuse installed for use with this equipment. If a power cable is not supplied with this equipment please contact your supplier.

Important Safeguards

These safety instructions are to ensure the long life of your projector and to prevent fire and shock. Please read them carefully and heed all warnings.

Installation

1. For best results, use your projector in a darkened room.
2. Place the projector on a flat, level surface in a dry area away from dust and moisture.
To avoid premature lamp failure, do not tilt the front of the projector up or down by more than 15° from level.
3. Do not place your projector in direct sunlight, near heaters or heat radiating appliances.
4. Exposure to direct sunlight, smoke or steam can harm internal components.
5. Handle your projector carefully. Dropping or jarring can damage internal components.
6. Do not place heavy objects on top of the projector.
7. If you wish to have the projector installed on the ceiling:
 - a. *Do not attempt to install the projector yourself.*
 - b. *The projector must be installed by qualified technicians in order to ensure proper operation and reduce the risk of bodily injury.*
 - c. *In addition, the ceiling must be strong enough to support the projector and the installation must be in accordance with any local building codes.*
 - d. *Please consult your dealer for more information.*

Fire and Shock Precautions

1. Ensure that there is sufficient ventilation and that vents are unobstructed to prevent the build-up of heat inside your projector. Allow at least 4 inches (10 cm) of space between your projector and a wall.
2. Prevent foreign objects such as paper clips and bits of paper from falling into your projector.
Do not attempt to retrieve any objects that might fall into your projector. Do not insert any metal objects such as a wire or screwdriver into your projector. If something should fall into your projector, disconnect it immediately and have the object removed by a qualified service personnel.
3. Do not place any liquids on top of your projector.
4. Do not look into the lens while the projector is on. Serious damage to your eyes could result.
5. Keep any items such as magnifying glass out of the light path of the projector. The light being projected from the lens is extensive, therefore any kind of abnormal objects that can redirect light coming out of the lens, can cause unpredictable outcome such as fire or injury to the eyes.
6. Do not cover the lens with the supplied lens cap or equivalent while the projector is on. Doing so can lead to melting of the cap and possibly burning your hands due to the heat emitted from the light output.
7. Do not place any objects, which are easily affected by heat, in front of the projector lens or a projector exhaust vent.
Doing so could lead to the object melting or getting your hands burned from the heat that is emitted from the light output and exhaust.
8. The projector is designed to operate on a power supply of 100-240 V 50/60 Hz AC. Ensure that your power supply fits this requirement before attempting to use your projector.
9. Handle the power cable carefully and avoid excessive bending.
A damaged cord can cause electric shock or fire.
10. If the projector is not to be used for an extended period of time, disconnect the plug from the power outlet.
11. Do not touch the power plug during a thunderstorm. Doing so can cause electrical shock or fire.
12. Do not handle the power plug with wet hands.

CAUTION

1. Do not try to touch the ventilation outlet on the right and rear side (when seen from the front) as it can become heated while the projector is turned on.
2. Do not use the tilt-foot for purposes other than originally intended. Misuses such as gripping the tilt-foot or hanging on the wall can cause damage to the projector.
Before putting the projector in the soft case, be sure to retract the feet. Failure to do so may cause damage to the projector.
3. When carrying the projector, heed the following:
 - Ensure that the power cable and any other cables are disconnected before moving the projector.
 - Cover the lens with the supplied lens cap so as not to scratch the lens surface.
4. Do not send the projector in the soft case by parcel delivery service or cargo shipment. The projector inside the soft case could be damaged.
5. Select "High" in the Fan mode if you continue to use the projector for consecutive days. (From the menu, select [Advanced] → [Fan Mode] → [High].)
6. Do not unplug the power cable from the wall outlet under any one of the following circumstances.
Doing so can cause damage to the projector:
 - * *While the projector is turned on.*
 - * *While the cooling fans are running. (The cooling fans continue to work for 60 seconds after the projector is turned off).*
7. If you accidentally turn off the main power by disconnecting the power cable or press the main power switch during cooling down, wait 10 minutes and then turn on the projector to resume. This is to protect the lamp.

Lamp Replacement

- To replace the lamp, follow all instructions provided on page [E-44](#).
 - Be sure to replace the lamp when the message "**The lamp has reached the end of its usable life. Please replace the lamp.**" appears. If you continue to use the lamp after the lamp has reached the end of its usable life, the lamp bulb may shatter, and pieces of glass may be scattered in the lamp case. Do not touch them as the pieces of glass may cause injury.
- If this happens, contact your dealer for lamp replacement.
- Allow a minimum of 60 seconds to elapse after turning off the projector. Then turn off the main power switch, disconnect the power cable and allow 60 minutes to cool the projector before replacing the lamp.

What's in the Box?

Make sure your box contains everything listed. If any pieces are missing, contact your dealer. Please save the original box and packing materials if you ever need to ship your Projector.

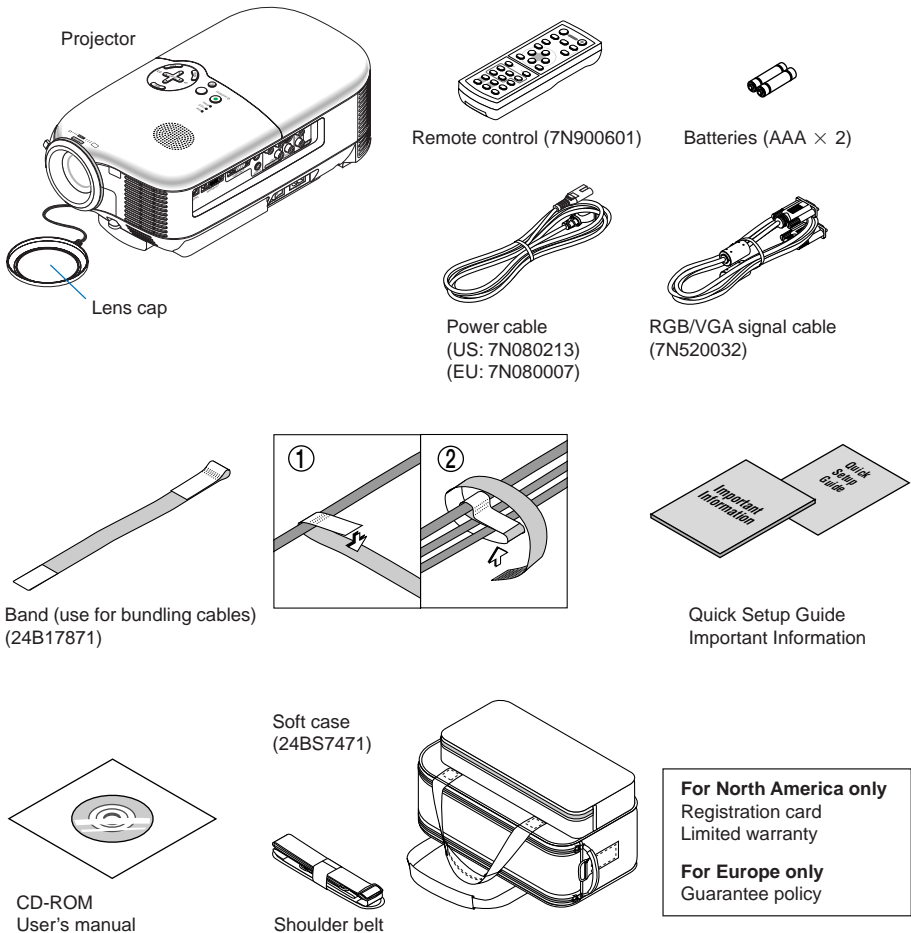


TABLE OF CONTENTS

IMPORTANT INFORMATION	E-i
Safety Cautions	E-i
What's in the Box?	E-iv
1. INTRODUCTION	E-1
Introduction to the Projector	E-1
Part Names of the Projector	E-3
Top Features	E-4
Terminal Panel Features	E-5
Part Names of the Remote Control	E-6
2. INSTALLATION AND CONNECTIONS	E-10
Setting Up the Screen and the Projector	E-11
Selecting a Location	E-11
Throw Distance and Screen Size	E-12
Making Connections	E-14
Connecting Your PC or Macintosh Computer	E-14
To connect SCART output (RGB)	E-15
Connecting an External Monitor	E-16
Connecting Your DVD Player	E-17
Connecting Your VCR or Laser Disc Player	E-18
Connecting the Supplied Power Cable	E-19
3. PROJECTING AN IMAGE (BASIC OPERATION)	E-20
Turning on the Projector	E-20
Selecting a Source	E-22
Adjusting the Picture Size and Position	E-22
Correcting the Vertical Keystone Distortion	E-25
Optimizing an RGB Image Automatically	E-26
Turning Up or Down Volume	E-26
Turning off the Projector	E-27
After Use	E-28
4. CONVENIENT FEATURES	E-29
Turning Off the Image and Sound	E-29
Freezing a Picture	E-29
Reducing Video Noise (Noise Reduction)	E-29
Getting the Information on Lamp Usage and Projector Usage	E-30
5. USING ON-SCREEN MENU	E-31
Using the Menus	E-31
List of Menu Items	E-33
Menu Descriptions & Functions	E-34
Picture	E-34
Adjustment	E-34
Image	E-35
Setup	E-37
Advanced	E-38
Information	E-42
Reset	E-43
6. MAINTENANCE	E-44
Replacing the Lamp	E-44
Cleaning the Cabinet and the Lens	E-47
7. TROUBLESHOOTING	E-48
8. SPECIFICATIONS	E-52

9. APPENDIX	E-54
Cabinet Dimensions	E-54
Pin Assignments of COMPUTER IN (D-Sub RGB) Connector	E-55
PC Control Codes and Cable Connection	E-56
Compatible Input Signal List	E-57
Troubleshooting Check List	E-58
TravelCare Guide	E-60

1. INTRODUCTION

Introduction to the Projector

This section introduces you to your new NEC LT180 Projector and describes its features and controls.

Congratulations on Your Purchase of The LT180 Projector

The LT180 is one of the very best projectors available today. The LT180 enables you to project precise images up to 200 inches (measured diagonally) from your PC or Macintosh computer (desktop or notebook), VCR, DVD player, document camera, or a laser disc player.

You can use the projector on a tabletop or cart, you can use the projector to project images from behind the screen, and the projector can be permanently mounted on a ceiling*1. The remote control can be used wirelessly.

Features you'll enjoy on the LT180 projector:

- 4:3 native screen display
- Exceptionally quiet – as low as 34dB fan noise in Eco-Mode
- High resolution images – 1024×768 display
- HDTV (1080i, 720p) and SDTV (576p, 480p) compatibility
- Adjustable rear foot for enhanced projector placement and alignment to the screen
- Eco-Mode™ technology – increases lamp life by up to 50% and reduces noise level to <34dB
- 3 video inputs – 1 component, 1 S-Video and 1 video for multiple video source connectivity
- 1 monitor out – 1 RGB and 1 stereo mini jack for audio connectivity
- Integrated deinterlace video processing technology
- Display popular wide screen and full screen aspect ratios – 16:9 and 4:3
- Built in speaker for an integrated audio solution
- Easy set up and operation
- High performance long life lamp for low total operating costs
- Wireless remote control operation
- Multiple video mode selections depending on your source
- Control the unit with a PC using the PC Control port
- NEC's exclusive intelligent scaling and pixel blending technology provides for extremely accurate image compression up to HDTV (1920×1080) and SXGA+ (1400×1050) display resolution*2
- Supports most IBM VGA, SVGA, XGA, Macintosh, component signal (YCbCr/YPbPr) or other RGB signals within a horizontal frequency range of 24 to 100 kHz and a vertical frequency range of 50 to 85 Hz. This includes NTSC, NTSC4.43, PAL, PAL-M, PAL-N, PAL60 and SECAM standard video signals

NOTE: Composite video standards are as follows:

NTSC: U.S. TV standard for video in U.S. and Canada.

PAL: TV standard used in Western Europe.

PAL-N: TV standard used in Argentine, Paraguay and Uruguay.

PAL-M: TV standard used in Brazil.

PAL60: TV standard used for NTSC playback on PAL TVs.

SECAM: TV standard used in France and Eastern Europe.

NTSC4.43: TV standard used in Middle East countries.

*1 Do not attempt to mount the projector on a ceiling yourself.

The projector must be installed by qualified technicians in order to ensure proper operation and reduce the risk of bodily injury.

In addition, the ceiling must be strong enough to support the projector and the installation must be in accordance with any local building codes. Please consult your dealer for more information.

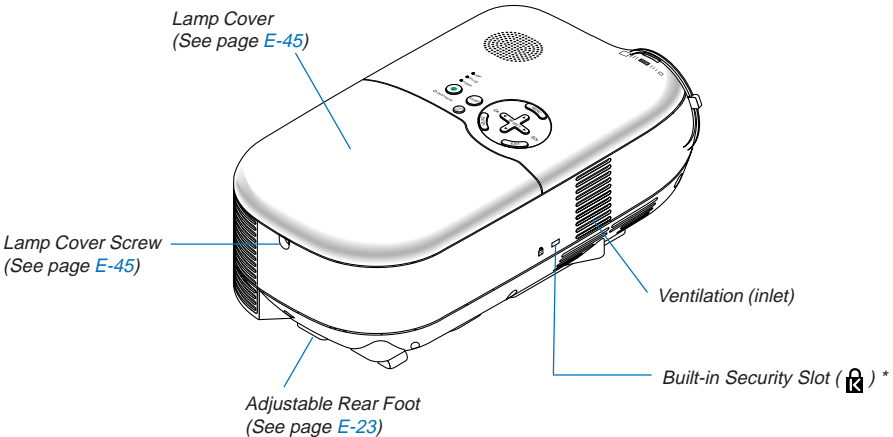
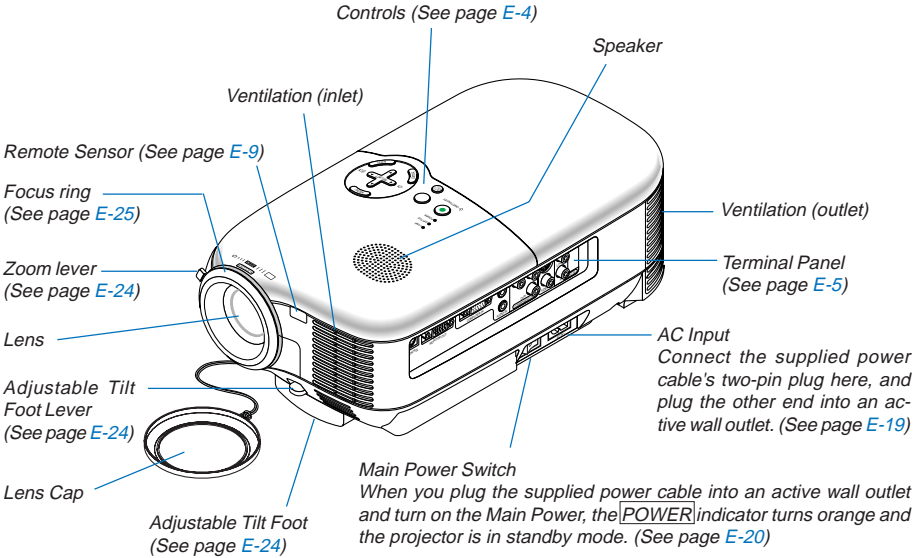
*2 HDTV 1080i (1920×1080), HDTV 720p (1280×720) and SXGA+ (1400×1050) are displayed with NEC's intelligent scaling technology.

About this user's manual

The fastest way to get started is to take your time and do everything right the first time. Take a few minutes now to review the user's manual. This may save you time later on. At the beginning of each section of the manual you'll find an overview. If the section doesn't apply, you can skip it.

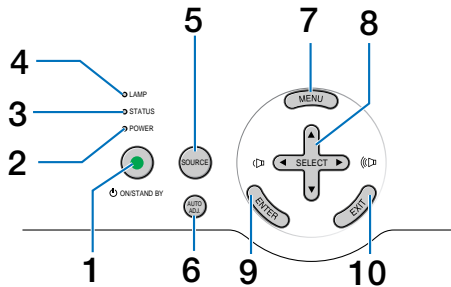
- Digital Light Processing and DLP are trademarks of Texas Instruments.
- IBM is a trademark or registered trademark of International Business Machines Corporation.
- Mac and PowerBook are trademarks of Apple Computer, Inc., registered in the U.S. and other countries.
- Other product and company names mentioned in this user's manual may be the trademarks or registered trademarks of their respective holders.

Part Names of the Projector



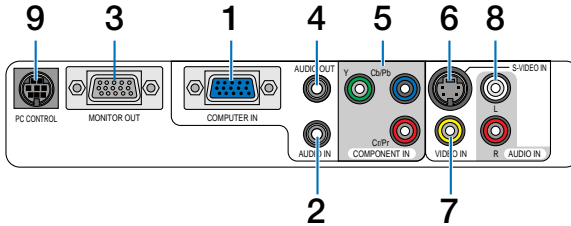
* This security slot supports the MicroSaver® Security System. MicroSaver® is a registered trademark of Kensington Microware Inc. The logo is trademarked and owned by Kensington Microware Inc.

Top Features



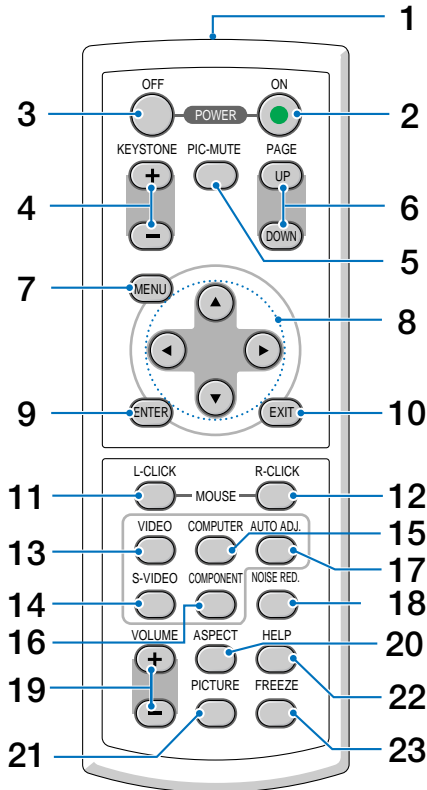
1. **ON/STAND BY** button (⏻)
Use this button to turn the power on and off when the main power is supplied and the projector is in standby mode.
To turn on the projector, press and hold this button for a minimum of two seconds. To turn off the projector, press this button twice.
2. **POWER** indicator (LED)
When this indicator is green, the projector is on; when this indicator is orange, it is in standby mode. See the power Indicator section on page E-48 for more details.
3. **STATUS** indicator (LED)
If this light blinks red rapidly, it indicates that an error has occurred, the lamp cover is not attached properly or the projector has overheated. If this light remains orange, it indicates that you have pressed a cabinet key while the Cabinet Button is locked. See the Status Indicator section on page E-48 for more details.
4. **LAMP** indicator (LED)
If this light blinks red rapidly, it's warning you that the lamp has reached the end of its usable life. After this light appears, replace the lamp as soon as possible (See page E-44). See the Lamp Indicator section on page E-48 for more details.
5. **SOURCE** button
This button will allow you to select a video source such as a PC, VCR or DVD player.
Press and quickly release this button to display the Source list. Each time this button is pressed, each source name will be highlighted in sequence. Highlighting a source name for 2 seconds without pressing the **ENTER** button will display the selected source.
6. **AUTO ADJ.** button
Use this button to adjust an RGB source for an optimal picture (See page E-26).
7. **MENU** button
Displays the menu.
8. **SELECT** ▲▼◀▶ / volume +/- buttons
▲▼ : Use these buttons to select the menu of the item you wish to adjust.
◀▶ : Use these buttons to change the level of a selected menu item. When no menus appear, these buttons work as a volume control.
9. **ENTER** button
Executes your menu selection and activates items selected from the menu.
10. **EXIT** button
Pressing this button will return to the previous menu.
While you are in the main menu, pressing this button will close the menu.

Terminal Panel Features



1. **COMPUTER IN / Component Input Connector (Mini D-Sub 15 Pin)**
Connect your computer or other analog RGB equipment such as IBM compatible or Macintosh computers. Use the supplied RGB/VGA cable to connect to your computer. This also serves as a component input connector that allows you to connect a component video output of component equipment such as a DVD player (optional adapter ADP-CV1 required).
2. **AUDIO IN mini jack (Stereo Mini)**
This is where you connect the audio output from your computer or DVD player when connected to the COMPUTER IN or COMPONENT IN.
3. **MONITOR OUT Connector (Mini D-Sub 15 Pin)**
You can use this connector to loop your computer image to an external monitor from the RGB input source. This connector outputs RGB signal in standby mode.
4. **AUDIO OUT Mini Jack (Stereo Mini)**
You can use this jack to output sound from the currently selected source (COMPUTER, COMPONENT, VIDEO or S-VIDEO). Output sound level can be adjusted in accordance with the sound level of the internal speaker. Note that this cannot be used as a headphone jack. (When audio equipment is connected, the projector speaker is disabled.)
When a cable mini-plug is inserted into this jack, both the right and left audio signals are not mixed, but separate.
For example, when a cable mini-plug is inserted into the left AUDIO IN jack only, only left sound is output.
5. **COMPONENT IN (Y, Cb/Pb, Cr/Pr) connectors (RCA)**
Connect component video outputs (Y/Cb/Cr, Y/Pb/Pr) here from external equipment such as a DVD player.
6. **S-VIDEO IN connector (Mini DIN 4 Pin)**
Here is where you connect the S-Video output from an external source like a VCR.
NOTE: *S-Video provides more vivid color and higher resolution than the traditional composite video format.*
7. **VIDEO IN connector (RCA)**
Connect a VCR, DVD player, laser disc player, or document camera here to project video.
8. **AUDIO IN jacks L & R (RCA)**
These are your left and right channel audio inputs for stereo sound from a Video or S-Video source.
9. **PC CONTROL Port (Mini DIN 8 Pin)**
Use this port to connect a PC or control system. This enables you to control the projector using serial communication protocol. If you are writing your own program, typical PC control codes are on page E-56.

Part Names of the Remote Control

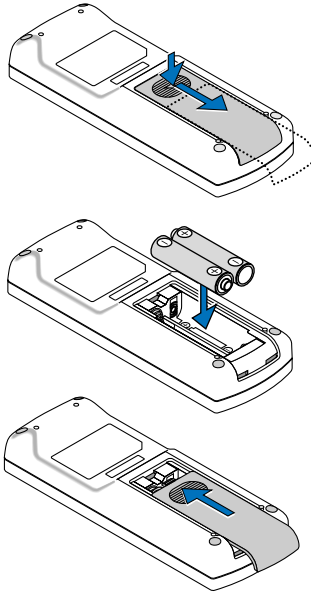


- Infrared Transmitter**
 Direct the remote control toward the remote sensor on the projector cabinet.
- POWER ON** Button
 When the main power is on, you can use this button to turn your projector on.
NOTE: To turn on the projector, press and hold the **POWER ON** button for a minimum of two seconds.
- POWER OFF** Button
 You can use this button to turn your projector off.
NOTE: To turn off the projector, press the **POWER OFF** button twice.
- KEYSTONE** (+) (-) Button
 Press this button to correct the keystone (trapezoidal) distortion, and make the image square. See page [E-25](#).
- PIC-MUTE** Button
 This button turns off the image and sound for a short period of time. Press again to restore the image and sound.
- PAGE UP/DOWN** Button
 Not available on this model.

7. **MENU** Button
Displays the menu for various settings and adjustments.
8. **SELECT** ▲▼◀▶ Button
▲▼ : Use these buttons to select the menu of the item you wish to adjust.
◀▶ : Use these buttons to change the level of a selected menu item.
9. **ENTER** Button
Use this button to enter your menu selection. It works the same as the **ENTER** button on the cabinet. See page E-4.
10. **EXIT** Button
It works the same as the **EXIT** button on the cabinet. See page E-4.
11. **MOUSE L-CLICK** Button
Not available on this model.
12. **MOUSE R-CLICK** Button
Not available on this model.
13. **VIDEO** Button
Press this button to select a video source connected to the VIDEO input.
14. **S-VIDEO** Button
Press this button to select an S-Video source connected to the S-VIDEO input.
15. **COMPUTER** Button
Press this button to select a video source from computer or component equipment connected to your COMPUTER IN port.
16. **COMPONENT** Button
Press this button to select a video source from component equipment connected to the COMPONENT input.
17. **AUTO ADJ.** Button
Use this button to adjust an RGB source for an optimal picture. See page E-26.
18. **NOISE RED.** Button
This button will turn on the noise reduction feature to reduce video noise.
19. **VOLUME** (+) (-) Button
Press (+) to increase the volume and (-) to decrease it.
20. **ASPECT** Button
Press this button once to display the Aspect Ratio select menu. Continue pressing to change aspect ratios. See page E-36.
21. **PICTURE** Button
Press this button to display the Picture menu. Each time this button is pressed, the option will be changed. See page E-34.
22. **HELP** Button
Provides the information about the status of the projector.
23. **FREEZE** Button
This button will freeze a picture. Press again to resume motion.

Battery Installation

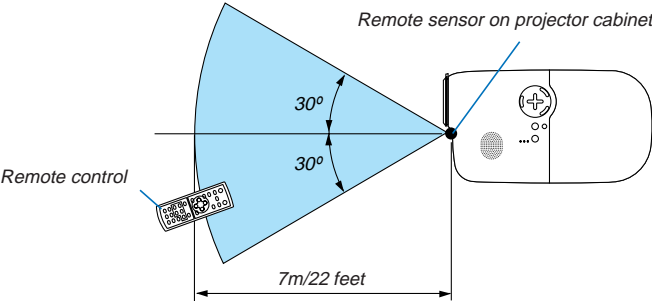
- 1** Press firmly and slide the battery cover off.
- 2** Remove both old batteries and install new ones (AAA). Ensure that you have the batteries' polarity (+/-) aligned correctly.
- 3** Slip the cover back over the batteries until it snaps into place. Do not mix different types of batteries or new and old batteries.



Remote Control Precautions

- Handle the remote control carefully.
- If the remote control gets wet, wipe it dry immediately.
- Avoid excessive heat and humidity.
- If you will not be using the remote control for a long time, remove the batteries.
- Do not place the batteries upside down.
- Do not use new and old batteries together, or use different types of batteries together.
- Dispose of used batteries according to your local regulations.

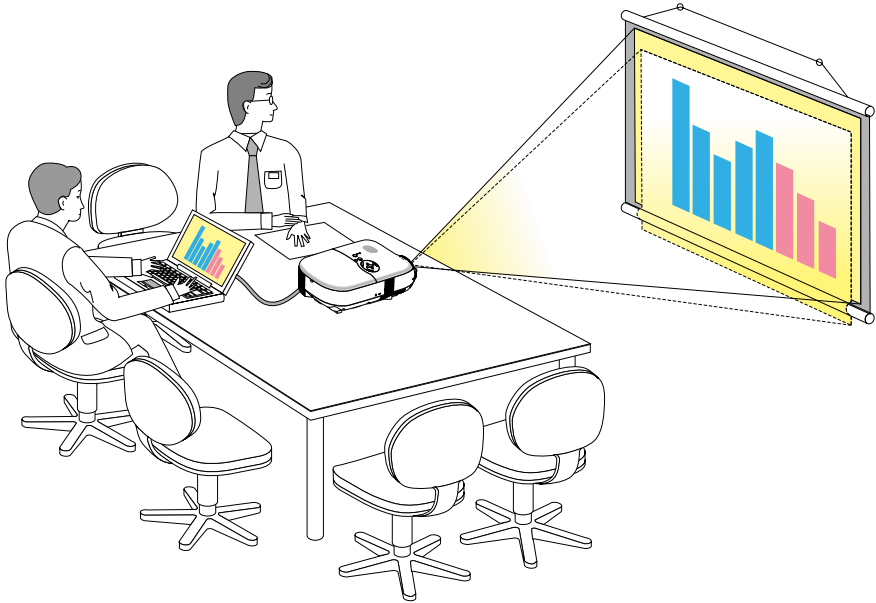
Operating Range for Wireless Remote Control



- The infrared signal operates by line-of-sight up to a distance of about 22 feet/7 m and within a 60-degree angle of the remote sensor on the projector cabinet.
- The projector will not respond if there are objects between the remote control and the sensor, or if strong light falls on the sensor. Weak batteries will also prevent the remote control from properly operating the projector.

2. INSTALLATION AND CONNECTIONS

This section describes how to set up your projector and how to connect PCs, video and audio sources.



Your projector is simple to set up and use. But before you get started, you must first:

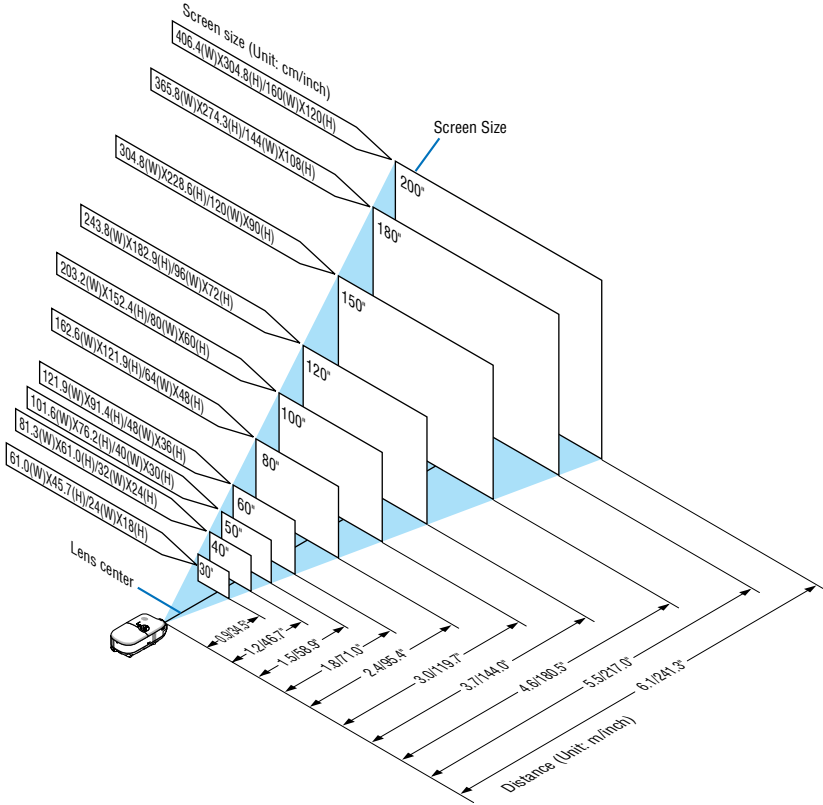
- 1 Set up a screen and the projector.
- 2 Connect your video equipment or computer to the projector. See page [E-14](#) to [E-18](#).
- 3 Connect the supplied power cable. See page [E-19](#).

NOTE: Ensure that the power cable and any other cables are disconnected before moving the projector. When moving the projector or when it is not in use, cover the lens with the lens cap.

Setting Up the Screen and the Projector

Selecting a Location

The further your projector is from the screen or wall, the larger the image. The minimum size the image can be is approximately 30" (0.76 m) measured diagonally when the projector is roughly 0.9 m/35 inches from the wall or screen. The largest the image can be is 200" (5.0 m) when the projector is roughly 6.1 m/241 inches from the wall or screen. Use the drawing below as a guide.

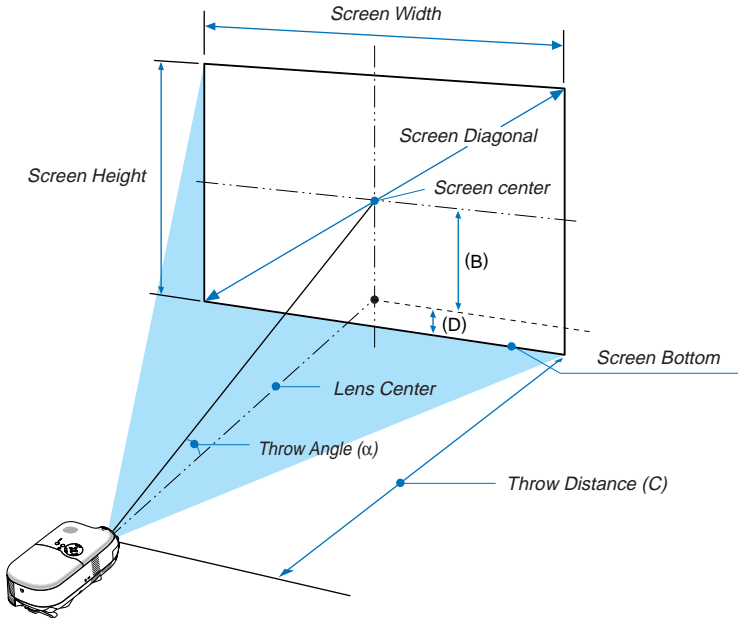


NOTE: The distances are indicated by intermediate values between tele and wide. Use as a rule of thumb.

Throw Distance and Screen Size

The following shows the proper relative positions of the projector and screen. Refer to the table to determine the position of installation.

Distance Chart



Screen Size (4:3)						B				C				D				α	
Diagonal		Width		Height		wide		tele		wide		tele		wide		tele		wide	tele
inch	mm	inch	mm	inch	mm	inch	mm	inch	mm	inch	mm	inch	mm	inch	mm	inch	mm	degree	degree
30	762.0	24.0	609.6	18.0	457.2	7.1	181.4	7.2	182.1	31.4	797.7	37.7	957.2	-1.8	-45.2	-1.8	-45.5	12.8	10.8
40	1016.0	32.0	812.8	24.0	609.6	9.5	241.8	9.6	242.8	42.5	1080.1	50.9	1292.6	-2.4	-60.2	-2.4	-60.2	12.6	10.6
50	1270.0	40.0	1016.0	30.0	762.0	11.9	302.2	11.9	303.5	53.6	1362.6	64.1	1628.0	-3.0	-75.3	-3.0	-75.8	12.5	10.6
60	1524.0	48.0	1219.2	36.0	914.4	14.3	362.6	14.3	364.2	64.8	1645.0	77.3	1963.4	-3.6	-90.3	-3.6	-90.9	12.4	10.5
67	1701.8	53.6	1361.4	40.2	1021.1	15.9	404.9	16.0	406.7	72.5	1842.7	86.5	2198.2	-4.0	-100.9	-4.0	-101.5	12.4	10.5
72	1828.8	57.6	1463.0	43.2	1097.3	17.1	435.1	17.2	437.1	78.1	1984.0	93.1	2365.9	-4.3	-108.4	-4.3	-109.1	12.4	10.5
84	2133.6	67.2	1706.9	50.4	1280.2	20.0	507.6	20.1	509.9	91.5	2322.9	109.0	2768.3	-5.0	-126.4	-5.0	-127.3	12.3	10.4
90	2286.0	72.0	1828.8	54.0	1371.6	21.4	543.8	21.5	546.3	98.1	2492.4	116.9	2969.6	-5.3	-135.5	-5.4	-136.4	12.3	10.4
100	2540.0	80.0	2032.0	60.0	1524.0	23.8	604.2	23.9	607.0	109.2	2774.8	130.1	3305.0	-5.9	-150.5	-6.0	-151.5	12.3	10.4
120	3048.0	96.0	2438.4	72.0	1828.8	28.5	725.0	28.7	728.4	131.5	3339.7	156.5	3975.8	-7.1	-180.6	-7.2	-181.8	12.3	10.4
150	3810.0	120.0	3048.0	90.0	2286.0	35.7	906.2	35.8	910.5	164.8	4187.1	196.1	4982.0	-8.9	-225.7	-8.9	-227.3	12.2	10.4
180	4572.0	144.0	3657.6	108.0	2743.2	42.8	1087.4	43.0	1092.6	198.2	5034.4	235.8	5988.2	-10.7	-270.9	-10.7	-272.7	12.2	10.3
200	5080.0	160.0	4064.0	120.0	3048.0	47.6	1208.2	47.8	1214.0	220.4	5599.3	262.2	6658.9	-11.9	-301.0	-11.9	-303.0	12.2	10.3

B = Vertical distance between lens center and screen center

C = Throw distance

D = Vertical distance between lens center and bottom of screen for desktop (top of screen for ceiling)

α = Throw angle

NOTE: Distances may vary +/-5%.

WARNING

- * **Installing your projector on the ceiling must be done by a qualified technician. Contact your NEC dealer for more information.**
- * **Do not attempt to install the projector yourself.**
- Only use your projector on a solid, level surface. If the projector falls to the ground, you can be injured and the projector severely damaged.
- Do not use the projector where temperatures vary greatly. The projector must be used at temperatures between 41°F (5°C) and 95°F (35°C).
- Do not expose the projector to moisture, dust, or smoke. This will harm the screen image.
- Ensure that you have adequate ventilation around your projector so heat can dissipate. Do not cover the vents on the side or the front of the projector.

Rear Projection Applications

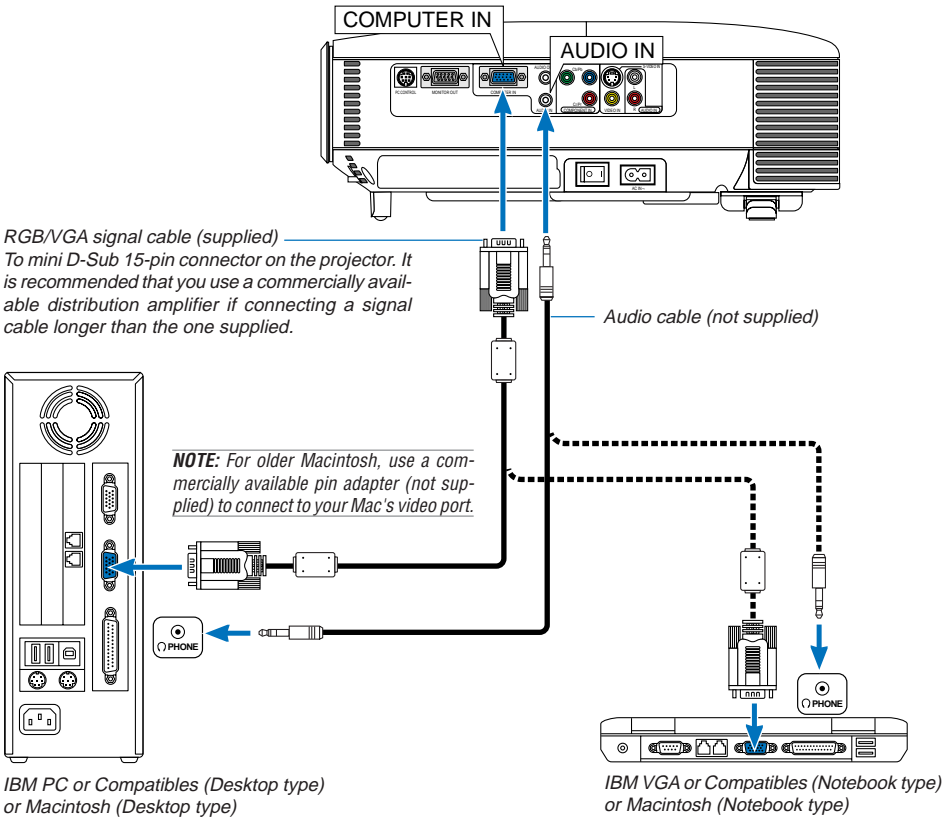
The projector has the ability to be used in a rear projection application. When used with a third party mirror and frame system, rear projection allows you to achieve a larger image size in less distance than a traditional front projection installation. If space constraints exist, please contact your authorized NEC reseller regarding a rear projection solution. Refer to page [E-38](#) on how to change the projector orientation for use in a rear projection application.

Making Connections

Connecting Your PC or Macintosh Computer

NOTE: When using with a notebook PC, be sure to connect between the projector and the notebook PC before turning on the power to the notebook PC. In most cases signal cannot be output from RGB output unless the notebook PC is turned on after connecting with the projector.

* If the screen goes blank while using your remote control, it may be the result of the computer's screen-saver or power management software.

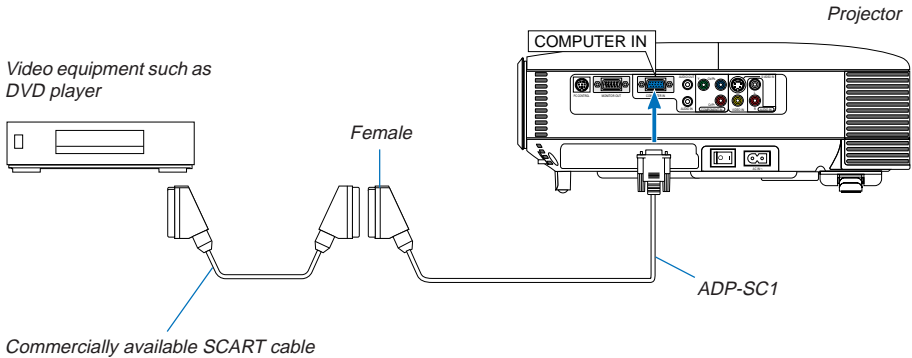


Connecting your PC or Macintosh computer to your projector will enable you to project your computer's screen image for an impressive presentation.

To connect to a PC or Macintosh, simply:

1. Turn off the power to your projector and computer.
2. Use the supplied RGB/VGA signal cable to connect your PC or Macintosh to the projector.
3. Turn on the projector and the computer.
4. If the projector goes blank after a period of inactivity, it may be caused by a screen saver installed on the computer you've connected to the projector.

To connect SCART output (RGB)



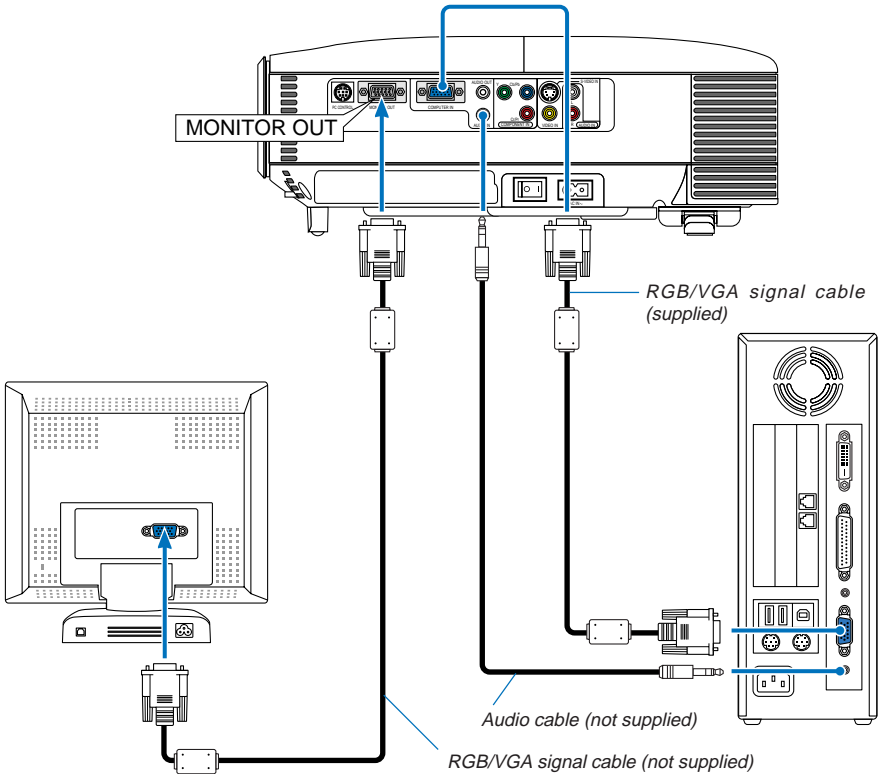
Before connections: An exclusive SCART adapter (ADP-SC1) and a commercially available SCART cable are required for this connection.

NOTE: Audio signal is not available for this connection.

1. Turn off the power to the projector and your video equipment.
2. Use the NEC ADP-SC1 SCART adapter and a commercially available SCART cable to connect the COMPUTER input of your projector and a SCART output (RGB) of your video equipment.
3. Connect the supplied power cable. See page E-19.
4. Turn on the power to the projector and your video equipment.
5. Use the **[SOURCE]** button on the projector cabinet to select the COMPUTER input.
6. Press the **[MENU]** button on the projector cabinet to display the menu.
7. From the menu, select [Advanced] → [Signal Select] → [Computer] → [Scart].
SCART is a standard European audio-visual connector for TVs, VCRs and DVD players. It is also referred to as Euro-connector.

NOTE: The ADP-SC1 SCART adapter is obtainable from your NEC dealer in Europe. Contact your NEC dealer in Europe for more information.

Connecting an External Monitor



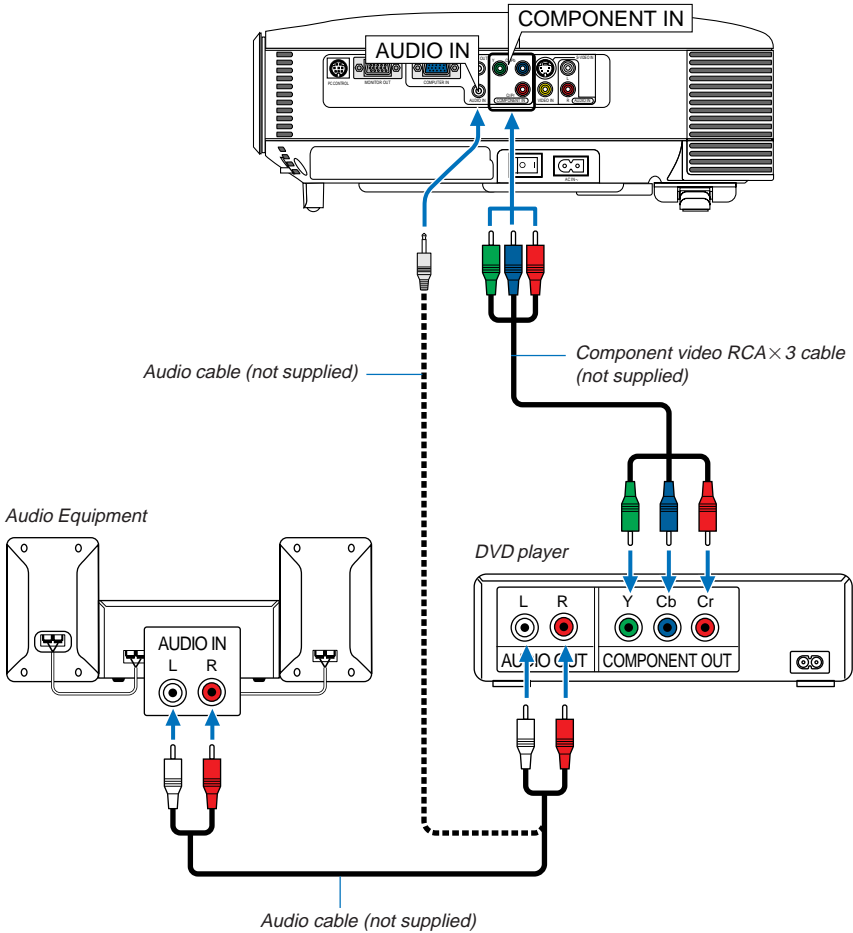
You can connect a separate, external monitor to your projector to simultaneously view on a monitor the RGB analog image you're projecting.

To do so:

1. Turn off the power to your projector, monitor and computer.
2. Use an RGB/VGA cable to connect your monitor to the MONITOR OUT (Mini D-Sub 15 pin) connector on your projector.
3. Connect the supplied power cable. See page E-19.
4. Turn on the projector, monitor and the computer.

NOTE: Daisy chain connection is not possible.

Connecting Your DVD Player

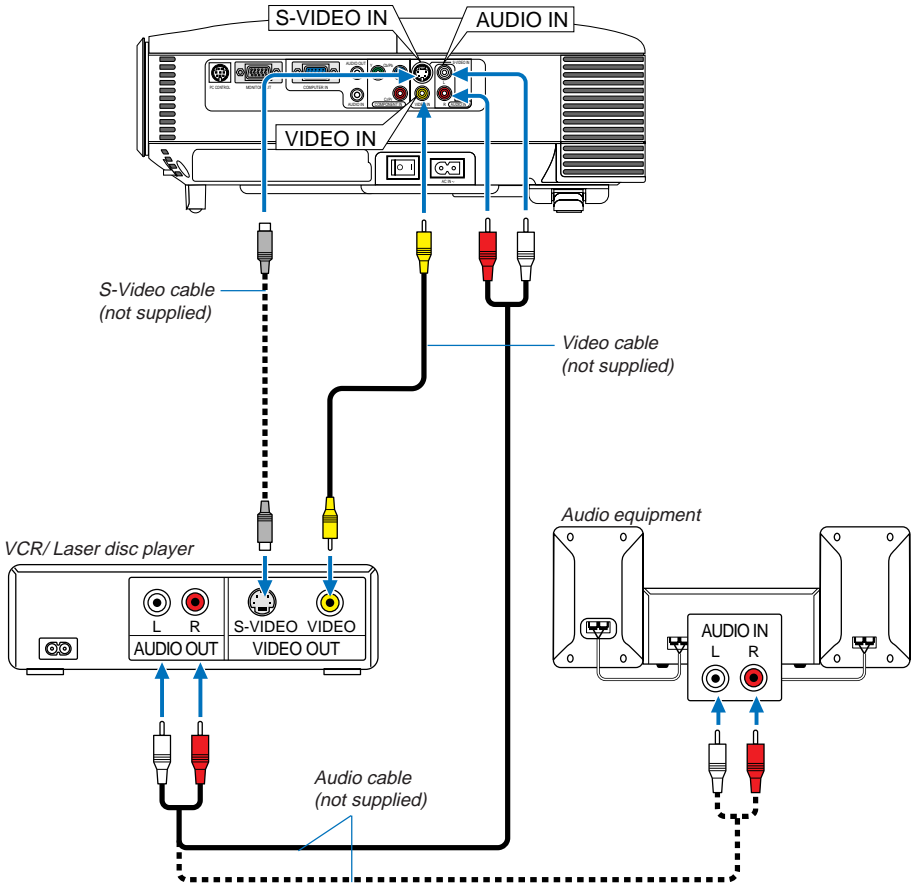


You can connect your projector to a DVD player with component output or Video output. To do so, simply:

1. Turn off the power to your projector and DVD player.
2. If your DVD player has the component video (Y,Cb,Cr) output, use a component video cable (RCA × 3) to connect your DVD player to the COMPONENT IN connectors on the projector.
For a DVD player without component video (Y,Cb,Cr) output, use the S-Video cable to connect the S-Video output of the DVD player to the S-VIDEO Input of the projector.
Use an audio cable to connect the audio from your DVD player to your audio equipment (if your DVD player has this capability). Be careful to keep your right and left channel connections correct for stereo sound.
3. Turn on the projector and DVD player.

NOTE: Refer to your DVD player's owner's manual for more information about your DVD player's video output requirements.

Connecting Your VCR or Laser Disc Player



Use S-Video or RCA cables to connect your VCR, laser disc player or document camera to your projector. To make these connections, simply:

1. Turn off the power to the projector and VCR, laser disc player or document camera.
2. Connect one end of your RCA or S-Video cable to the video output connector on the back of your VCR or laser disc player, connect the other end to the VIDEO IN or S-VIDEO IN on your projector. Use an audio cable to connect the audio from your VCR or laser disc player to your audio equipment (if your VCR or laser disc player has this capability). Be careful to keep your right and left channel connections correct for stereo sound.
3. Turn on the projector and the VCR or laser disc player.

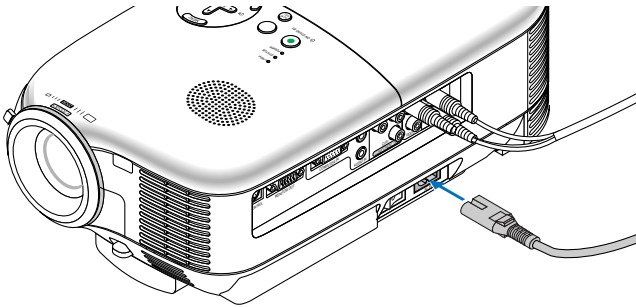
NOTE: Refer to your VCR or laser disc player owner's manual for more information about your equipment's video output requirements.

NOTE: An image may not be displayed correctly when a Video or S-Video source is played back in fast-forward or fast-rewind via a scan converter.

Connecting the Supplied Power Cable

Connect the supplied power cable to the projector.

First connect the supplied power cable's two-pin plug to the AC IN of the projector, and then connect the other plug of the supplied power cable in the wall outlet.



CAUTION

Do not unplug the power cable from the wall outlet under any one of the following circumstances. Doing so can cause damage to the projector:

- * While the projector is turned on.
- * While the cooling fans are running. (The cooling fans continue to work for 60 seconds after the projector is turned off).

3. PROJECTING AN IMAGE (BASIC OPERATION)

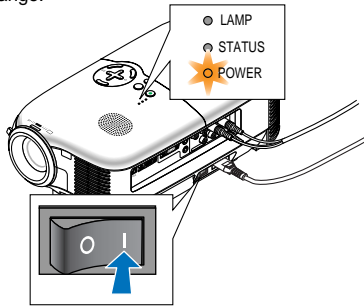
This section describes how to turn on the projector and to project a picture onto the screen.

Turning on the Projector

NOTE:

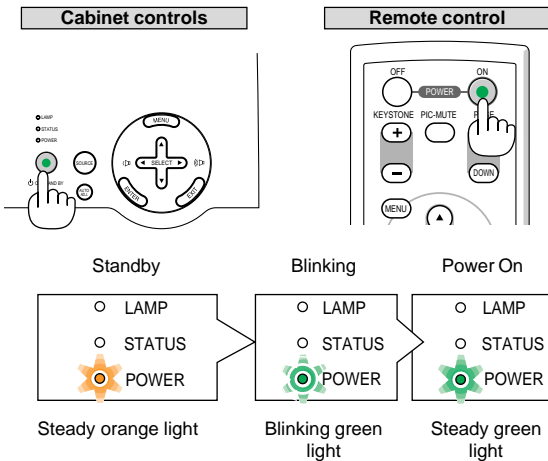
- The projector has two power switches: a main power switch and an **[ON/STAND BY]** button.
- When plugging in or unplugging the supplied power cable, make sure that the main power switch is pushed to the off (|) position. Failure to do so may cause damage to the projector.

To turn on the main power to the projector, press the Main Power switch to the on (|) position. The **[POWER]** indicator will light orange.



Before you turn on your projector, ensure that the computer or video source is turned on and that your lens cap is removed.

Only after you press the **[ON/STAND BY]** button on the projector cabinet or **[POWER ON]** button on the remote control for a minimum of 2 seconds will the **[POWER]** indicator turn to green and the projector become ready to use.



See page E-48 for more details.

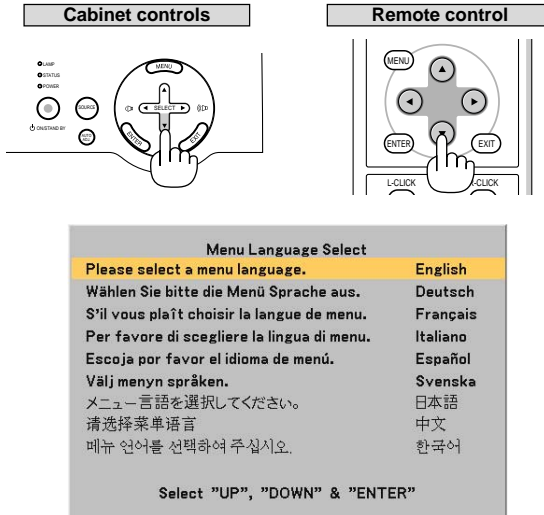
NOTE: The **[POWER]** and **[STATUS]** (LED) indicators blinking green at the same time indicates the main power was interrupted during previous operation. Wait for 60 seconds (cooling period) to see if the lamp turns on by itself.

Note on Startup screen (Menu Language Select screen)

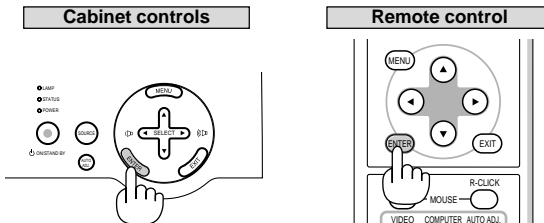
When you first turn on the projector, you will get the Startup screen. This screen gives you the opportunity to select one of the 9 menu languages.

To select a menu language, follow these steps:

1. Use the **SELECT**▲ or ▼ button to select one of the 9 languages for the menu.



2. Press the **ENTER** button to execute the selection.



After this has been done, you can proceed to the menu operation.

If you want, you can select the menu language later. See "Language" on page E-37.

NOTE: Immediately after turning on the projector, screen flicker may occur. This is not a fault. Wait 3 to 5 minutes until the lamp lighting is stabilized.

When the Lamp mode is set to Eco, the **LAMP** indicator will light green.

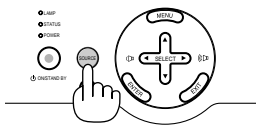
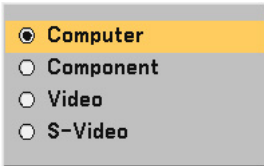
If one of the following things happens, the projector will not turn on.

- * If the internal temperature of the projector is too high, the projector detects abnormal high temperature. In this condition the projector will not turn on to protect the internal system. If this happens, wait for the projector's internal components to cool down.
- * When the lamp reaches its end of usable life, the projector will not turn on. If this happens, replace the lamp.
- * If the lamp fails to light, and if the **STATUS** indicator flashes on and off in a cycle of six times, wait a full minute and then turn on the power.

Selecting a Source

Selecting the computer or video source

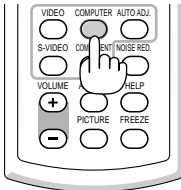
Using the cabinet buttons



Press the **SOURCE** button.

Press and quickly release the **SOURCE** button on the projector cabinet to display the Source list. Each time the **SOURCE** button is pressed, each source name will be highlighted in sequence.

Using the Remote Control



Press any one of the **VIDEO**, **S-VIDEO**, **COMPUTER** or **COMPONENT** buttons.

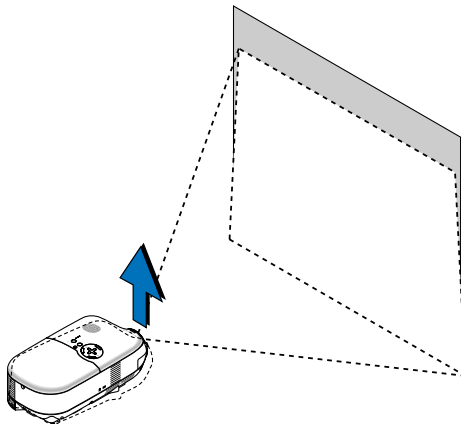
NOTE: If no input signal is available, the projector will display a blue background (factory preset).

Adjusting the Picture Size and Position

Place your projector on a flat level surface and ensure that the projector is square to the screen.

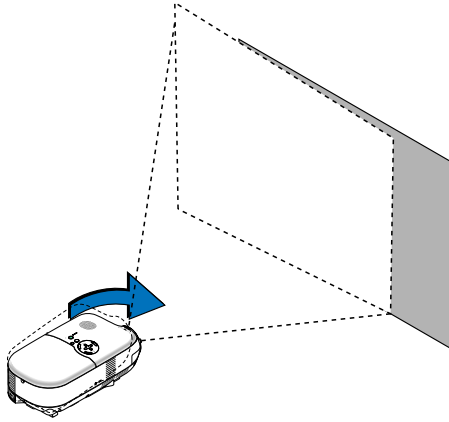
Lift the front edge of the projector to center the image vertically.

* If the projected image does not appear square to the screen then use the Keystone feature for proper adjustment. See page [E-25](#).



3. PROJECTING AN IMAGE (BASIC OPERATION)

Move the projector left to center the image horizontally on the screen.



Using the Adjustable Rear Foot

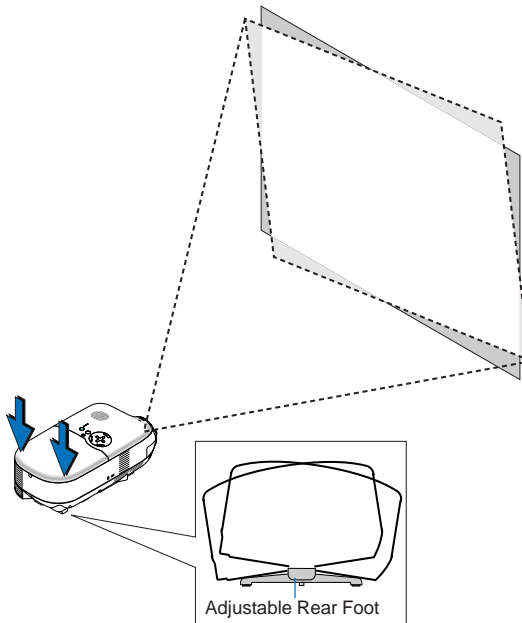
The adjustable rear foot provides the projector with a horizontal tilt adjustment.

If the projector is placed on an uneven surface, keep the projector level by pushing down the left or right rear part of the top cabinet with both hands.

NOTE: A spacer is attached to the adjustable rear foot to provide stability.

Remove the spacer before using the adjustable rear foot.

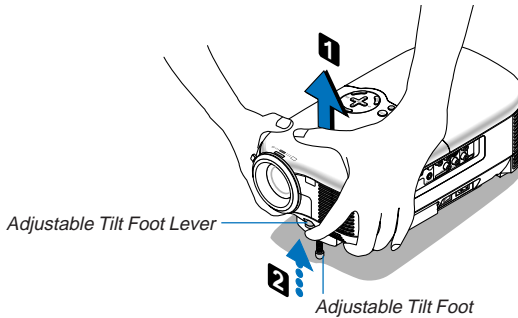
Save the spacer to use when replacing the lamp as it will keep the projector from tilting in the process (See page E-44).



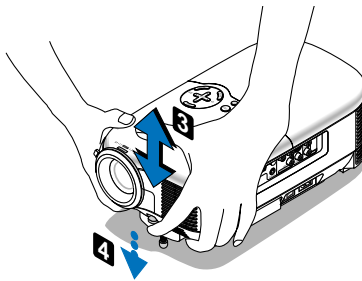
CAUTION: Use care in handling the adjustable rear foot to avoid possible injury to fingers or hands. Using the adjustable rear foot could pinch fingers or hands between the projector bottom and the adjustable rear foot.

Adjusting the Tilt Foot

1. Lift the front edge of the projector.



2. Push up the Adjustable Tilt Foot Lever on the front side of the projector to extend the adjustable tilt foot (maximum height).
3. Push down the Adjustable Tilt Foot Lever.
4. Lower the front of the projector to the desired height and release the Adjustable Tilt Foot Lever to lock the Adjustable tilt foot. There is approximately 10 degrees of tilt "UP" adjustment for the front of the projector.

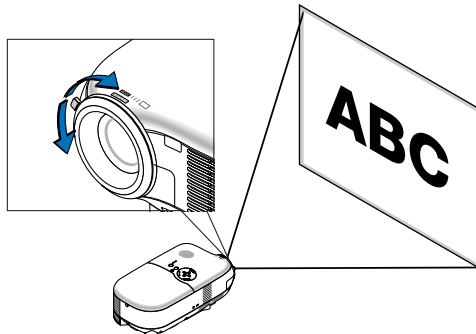


CAUTION

Do not use the tilt-foot for purposes other than originally intended. Misuses such as gripping the tilt-foot or hanging on the wall can cause damage to the projector.

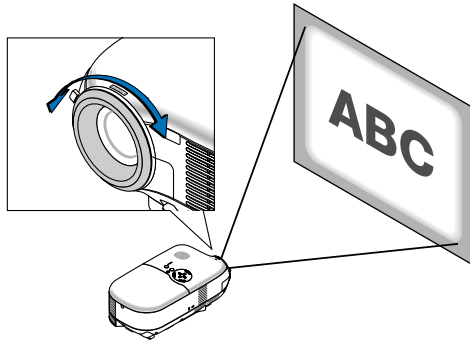
Zoom

Use the Zoom lever to finely adjust the image size on the screen.



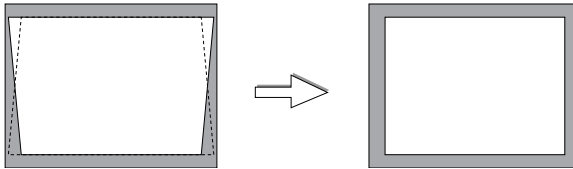
Focus

Use the Focus ring to obtain the best focus.



Correcting the Vertical Keystone Distortion

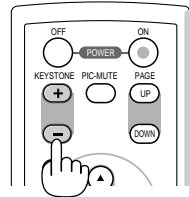
The Keystone correction feature will correct the vertical distortion of a projected image on the screen.



NOTE: Keystone angle can be corrected between 15 degrees upward and 15 degrees downward of projector tilt from level.

To correct keystone distortion using the **KEYSTONE** +/- button:

1. Press the **KEYSTONE** +/- button once to display the slide bar for adjustment.
2. Press the **KEYSTONE** + or - to correct the keystone distortion.



You can also correct keystone distortion by using the menu.

1. Press the **MENU** button to display the menu.
2. Use the **SELECT** ▲ or ▼ to select "Image" and then "Keystone".

NOTE: When this option is highlighted, pressing the **ENTER** button will display its slide bar for adjustment.

3. Press the **SELECT** ◀ or ▶ to correct the keystone distortion.

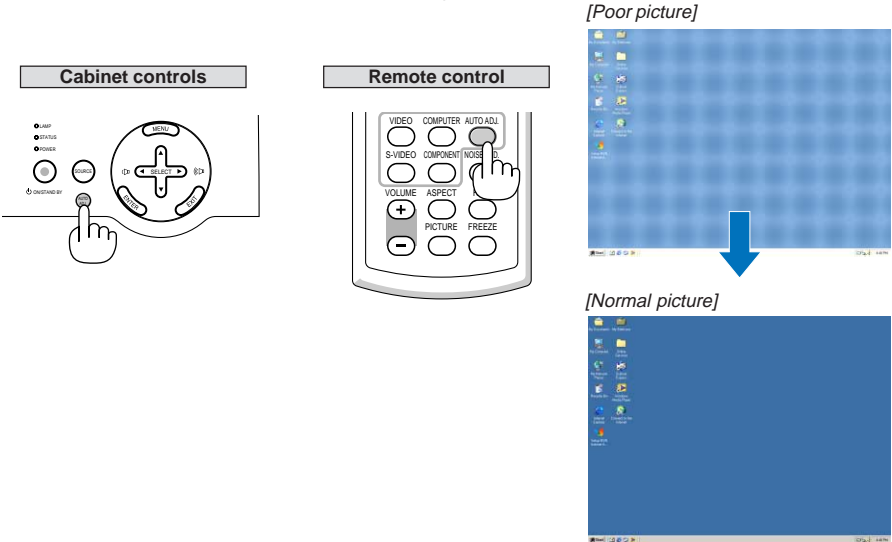
NOTE: You can save changes by using "Keystone Save" feature when you turn off the projector. See page [E-35](#).

Optimizing an RGB Image Automatically

Adjusting the Image Using Auto Adjust

Optimizing an RGB image automatically

Press the **AUTO ADJ.** button to optimize an RGB image automatically.



Press the **AUTO ADJ.** button to fine-tune the computer image or to remove any vertical banding that might appear and to reduce video noise, dot interference or cross talk (this is evident when part of your image appears to be shimmering). This function adjusts the clock frequencies that eliminate the horizontal banding in the image. This function also adjusts the clock phase to reduce video noise, dot interference or cross talk. (This is evident when part of your image appears to be shimmering.)

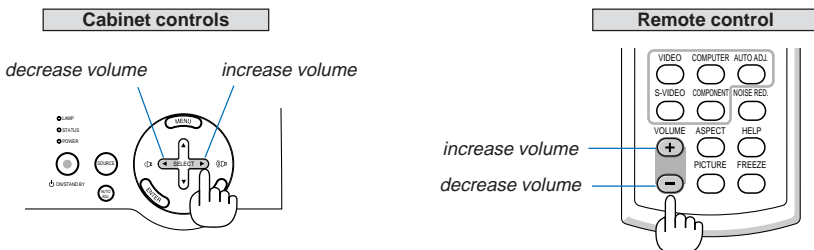
This adjustment may be necessary when you connect your computer for the first time.

NOTE:

- Some signals may not be displayed correctly or take time.
- The Auto Adjust function does not work for component and video signals.
- If the Auto Adjust operation cannot optimize the RGB signal, try to adjust Clock and Phase manually. See page E-37.

Turning Up or Down Volume

Sound level from the speaker can be adjusted.

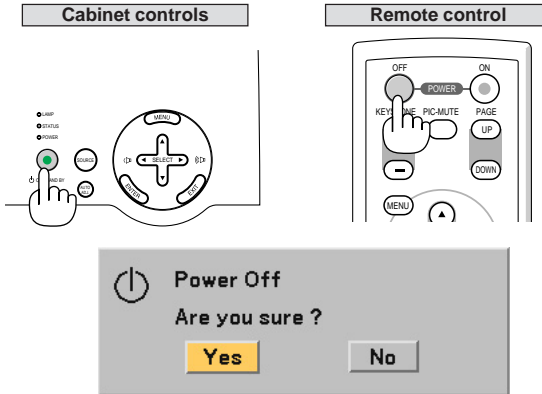


NOTE: When no menus appear, the **SELECT** ◀ and ▶ buttons on the projector cabinet work as a volume control.

Turning off the Projector

To turn off the projector:

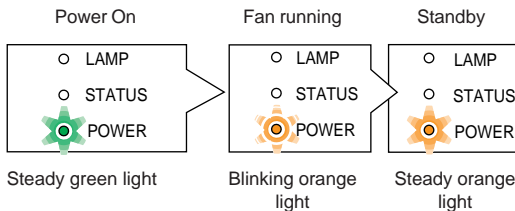
First, press the **ON/STAND BY** button on the projector cabinet or the **POWER OFF** button on the remote control. The “Power Off / Are you sure?” message will appear.



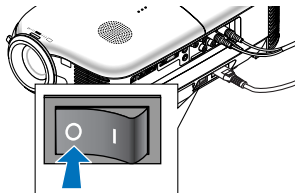
Second, press the **ENTER** button or press the **ON/STAND BY** or the **POWER OFF** button again. The **POWER** indicator will glow orange. After the projector turns off, the cooling fans keep operating for 60 seconds (Cooling-off time).

Immediately after turning on the projector and displaying an image, you cannot turn off the projector for 60 seconds.

Third, turn off the Main Power switch. The **POWER** indicator will go out.



NOTE: To avoid premature lamp failure, wait at least 5 minutes before turning on or off the projector.



CAUTION

Do not unplug the power cable from the wall outlet or do not turn off the main power under any one of the following circumstances. Doing so can cause damage to the projector:

- While the projector is turned on.
- While the cooling fans are running. (The cooling fans continue to work for 60 seconds after the projector is turned off).

After Use

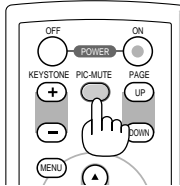
Preparation: Make sure that the projector's main power is off.

1. *Unplug the power cable.*
2. *Disconnect any other cables.*
3. *Retract adjustable tilt foot if extended.*
4. *Cover the lens with the lens cap.*
5. *Put the projector and its accessories in the supplied soft case.*

4. CONVENIENT FEATURES

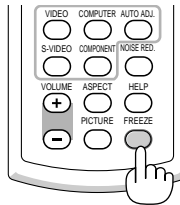
Turning Off the Image and Sound

Press the **PIC-MUTE** button to turn off the image and sound for a short period of time. Press again to restore the image and sound.



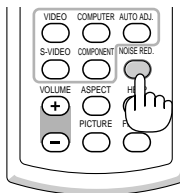
Freezing a Picture

Press the **FREEZE** button to freeze a picture. Press again to resume motion.



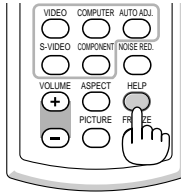
Reducing Video Noise (Noise Reduction)

You can reduce video noise by using the **NOISE RED.** button on the remote control. To reduce video noise, press the **NOISE RED.** button to turn on the Noise Reduction feature. You can also reduce video noise by using the menu. See page [E-34](#).



Getting the Information on Lamp Usage and Projector Usage

You can view various information such as status of the remaining lamp time, lamp hour meter and projector usage.

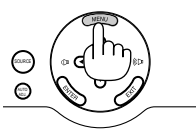


5. USING ON-SCREEN MENU

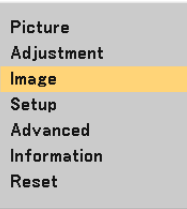
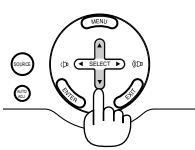
Using the Menus

NOTE: The on-screen menu may not be displayed correctly while interlaced motion video image is projected.

1. Press the **MENU** button on the remote control or projector cabinet to display the main menu.

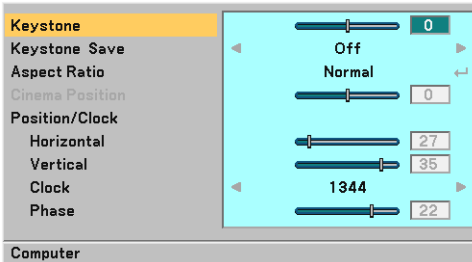
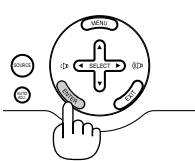


2. Press the **SELECT** buttons on the remote control or the projector cabinet to highlight the menu for the item you want to adjust or set.

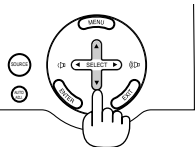


Highlight
Indicates the selected menu or item.

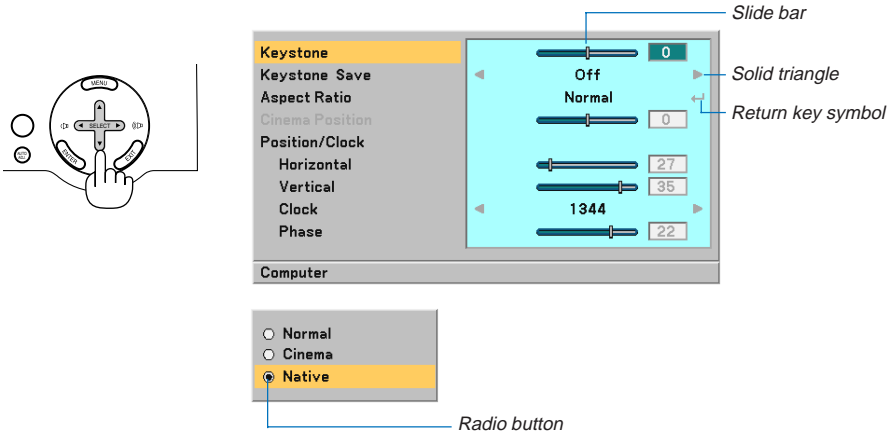
3. Press the **ENTER** button on the remote control or the projector cabinet to select a submenu or item.



4. Use the **SELECT** buttons on the remote control or the projector cabinet to select the item you want to adjust or set.



5. Adjusting the level of a selected item or selecting an item.



For Adjusting items (Slide bar)

Slide bar Indicates settings or the direction of adjustment.

- Use the **SELECT** ◀▶ buttons to adjust the item.

For Selecting items (Solid triangle)

Solid triangle .. Indicates further choices are available. A highlighted triangle indicates the item is active.

- Use the **SELECT** ◀▶ buttons to select the item.

For Selecting items (Return key symbol, Radio button)

Return key symbol Indicates further choices are available.

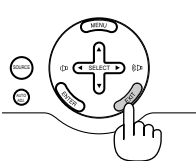
Radio button Use this round button to select an option in a dialog box.

- 1) Press the **ENTER** button. The selected item will be displayed.
- 2) Use the **SELECT** ▲▼ buttons to highlight the item you want to set.

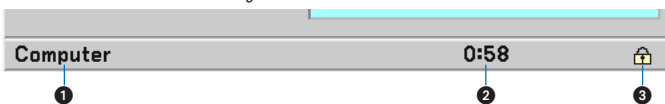
Changes are stored until you adjust it again.

Press the **EXIT** button to return to the previous screen.

6. Repeat steps 2-5 to adjust an additional item, or press the **EXIT** button several times to close the menu.



NOTE: Menu windows have the following elements.



- 1 Source Indicates the currently selected source.
- 2 Off Timer remaining time Indicates the remaining countdown time when the Off Timer is preset.
- 3 Key symbol Indicates the Cabinet Button is locked.

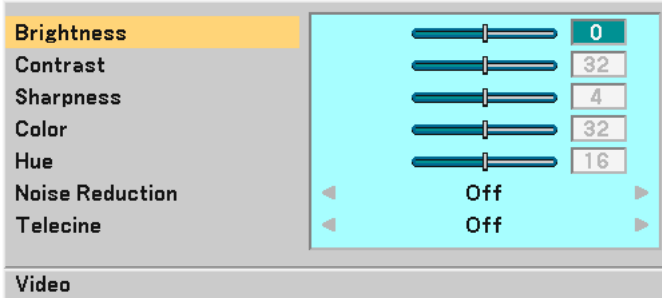
List of Menu Items

Picture Brightness Contrast Sharpness Color Hue Noise Reduction Telecine	Off, On Off, Auto
Adjustment Wall Color Color Management Gamma Correction Color Temperature White Peaking	Off, Blackboard, Light yellow, Light green, Light blue, Sky blue, Light rose, Pink Presentation, Video, Movie, Graphic, sRGB Dynamic, Natural, Black Detail
Image Keystone Keystone Save Aspect Ratio Cinema Position Position/Clock Horizontal Vertical Clock Phase	Off, On Normal, Cinema, Native
Setup Off Timer Lamp Mode Language Menu Color Select Menu Display Time Background Orientation Communication Speed	Off, 0:30, 1:00, 2:00, 4:00, 8:00, 12:00, 16:00 Normal, Eco Page-1: English, Deutsch, Français, Italiano, Español, Português, Nederlands Page-2: Svenska, Norsk, Suomi, Čeština, Magyar, Polski, Türkçe Page-3: Русский, Ελληνικά, 日本語, 中文, 한국어, Dansk Color, Monochrome Manual, Auto 5 sec, Auto 15sec, Auto 45 sec Blue, Black Desktop Front, Ceiling Rear, Desktop Rear, Ceiling Front 4800, 9600, 19200, 38400
Advanced Security Cabinet Button Fan Mode Power Management Signal Select Computer Video S-Video	Off, On Unlock, Lock Auto, High Off, 0:05, 0:10, 0:20, 0:30 RGB/Component, Scart Auto, NTSC3.58, NTSC4.43, PAL, PAL-M, PAL-N, PAL60, SECAM Auto, NTSC3.58, NTSC4.43, PAL, PAL-M, PAL-N, PAL60, SECAM
Information Page 1 Page 2 Page 3	Remaining Lamp Time, Lamp Hour Meter, Projector Usage Horizontal Frequency, Vertical Frequency, Sync Polarity, Video Type, Sync Type, Interlace BIOS Version, Firmware Version, Data Version
Reset Factory Default Clear Lamp Hour Meter	Current Signal All Data

NOTE: Some menu items may not be available depending on the input source.

Menu Descriptions & Functions

Picture



You can adjust brightness, contrast, sharpness, color, hue, noise reduction and Telecine.

NOTE: When one of Brightness, Contrast, Sharpness, Color or Hue is highlighted, pressing the **ENTER** button will display its slide bar for adjustment.

Brightness Adjusts the brightness level or the black level of the image.

Contrast Adjusts the intensity of the image according to the incoming signal (White level of the image).

Sharpness Controls the detail of the image for Video.

Color Increases or decreases the color saturation level (not valid for RGB).

Hue Varies the color level from +/- green to +/-blue. The red level is used as reference. This adjustment is only valid for Video and Component inputs (not valid for RGB).

Noise Reduction Turn on or off the noise reduction feature. To reduce video noise, select On.

NOTE:

- This feature is not available for 480p, 576p, 720p and non-1080i HDTV and RGB signals
- Noise reduction set to off gives best image quality by way of higher bandwidth. Noise reduction set to on softens the image.

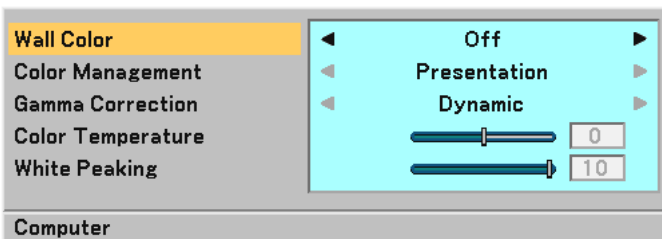
Telecine Use 3:2 pull down correction to eliminate jitter and artifacts in video.

Auto: For film source such as a DVD player.

Off: For signals other than film sources.

NOTE: This feature is not available for 480p, 576p, 720p and non-1080i HDTV and RGB signals

Adjustment



You can adjust Wall Color, Color Management, Gamma Correction, Color Temperature and White Peaking.

Selecting Wall Color Correction Mode [Wall Color]

This function allows for quick adaptive color correction in applications where the screen material is not white.

The following eight options are available: Off, Blackboard, Light yellow, Light green, Light blue, Sky blue, Light rose and Pink.

Adjusting Color Management [Color Management]

This option allows you to adjust neutral tint for yellow, cyan or magenta. There are 5 factory presets optimized for various types of images, you can set user adjustable settings.

Presentation .. Recommended for making a presentation using a PowerPoint file.

Video Recommended for standard video such as a TV program.

Movie Recommended for film based video such as a movie (DVD or HDTV).

Graphic Recommended for viewing accurate colors in graphics.

sRGB Standard color values.

Selecting Gamma Correction Mode [Gamma Correction]

Each mode is recommended for:

Dynamic Creates a high-contrast picture.

Natural Natural reproduction of the picture.

Black Detail Emphasizes detail in dark areas of the picture.

Adjusting Color Temperature [Color Temperature]

This option allows you to adjust the color temperature using the slide bar.

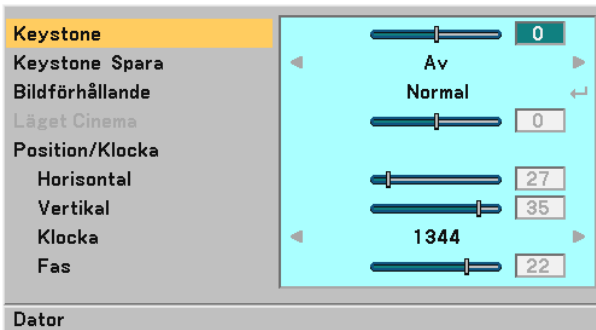
Move the slide bar to the right to increase the color temperature for a bluish image; to the left to decrease it for a reddish image.

NOTE: The adjustable range may vary depending on White Peaking adjustment.

Adjusting White Peaking [White Peaking]

This allows you to adjust the drive level of the white areas. As the picture becomes dim, it looks more natural.

NOTE: When this option is highlighted, pressing the **ENTER** button will display its slide bar for adjustment.

Image**Correcting Vertical Keystone Distortion Manually [Keystone]**

You can correct vertical distortion manually.

NOTE: When this option is highlighted, pressing the **ENTER** button will display its slide bar for adjustment.

Saving Vertical Keystone Correction [Keystone Save]

This option enables you to save your current keystone settings.

Off Does not save current keystone correction settings

On Saves current keystone correction settings

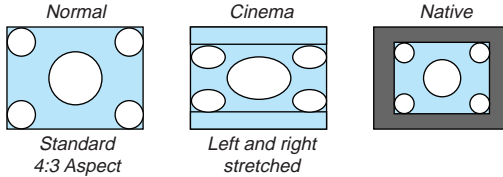
Saving your change once affects all sources. The changes are saved when the projector is off.

Selecting Aspect Ratio [Aspect Ratio]

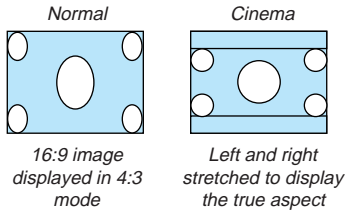
Aspect Ratio allows you to select the best Aspect mode to display your source image.

You can also display the Aspect Ratio window by pressing the **ASPECT** button on the remote control. (See page E-7).

When 4:3 is selected from the source (i.e. DVD player), the following selections will display:



When 16:9 is selected from the source (i.e. DVD player), the following selections will display:



Native (RGB only): Turns off the Advanced AccuBlend feature. The projector displays the current image in its true resolution.

NOTE:

- When you are displaying an RGB image with a higher resolution than the projector's native resolution, the image will be displayed in "Normal" even if "Native" is selected. (Advanced AccuBlend will be incorporated)
Only when displaying an RGB image with a lower resolution than the projector's native resolution, will the image be able to be displayed in its true resolution "Native".
- When "Normal" is selected, an HDTV (1080i/720p) signal will be shown in its true aspect, as is the case when selecting "Cinema".
- You can adjust the image position for Cinema aspect. See "Cinema Position" for setting the image position.

Copyright

Please note that using this projector for the purpose of commercial gain or the attraction of public attention in a venue such as a coffee shop or hotel and employing compression or expansion of the screen image with a "Aspect Ratio" setting may raise concern about the infringement of copyrights which are protected by copyright law.

Adjusting the Vertical Position of Image [Cinema Position] (for Cinema only)

This feature adjusts the vertical position of the image when viewing video with Cinema aspect ratio selected. When "Cinema" is selected in "Aspect Ratio", the image is displayed with black borders on the top and bottom. You can adjust the vertical position between top and bottom.

NOTE: This option is available only when "Cinema" is selected in Aspect Ratio.

Adjusting Horizontal/Vertical Position, Clock and Phase [Position/Clock]

You can adjust the image manually for position and stability; "Horizontal", "Vertical", "Clock" and "Phase".

[Horizontal/Vertical]

Adjusts the image location horizontally and vertically.

[Clock] (available for RGB signal only)

Use this item to fine tune the computer image or to remove any vertical banding that might appear. This function adjusts the clock frequencies that eliminate the horizontal banding in the image. This adjustment may be necessary when you connect your computer for the first time.

[Phase] (available for RGB signal only)

Use this item to adjust the clock phase or to reduce video noise, dot interference or cross talk. (This is evident when part of your image appears to be shimmering.)

Use "Phase" only after the "Clock" is complete.

Setup**Setting Off Timer [Off Timer]**

You can use the Off Timer feature to turn off the projector automatically at a preset time.

Eight preset times can be selected: Off, 0:30, 1:00, 2:00, 4:00, 8:00, 12:00 and 16:00.

Selecting Lamp Mode [Lamp Mode]

This feature enables you to select two brightness modes of the lamp: Normal and Eco modes. The lamp life can be extended by using the Eco mode.

Normal Mode ... This is the default setting (100% Brightness).

Eco Mode Select this mode to increase the lamp life and reduce fan noise (80% Brightness).

Selecting Menu Language [Language]

You can choose one of 20 languages for the on-screen menu.

Selecting Menu Color [Menu Color Select]

You can choose between two color modes for menu color: color and monochrome.

Selecting Menu Display Time [Menu Display Time]

This option allows you to select how long the projector waits after the last touch of a button to turn off the menu.

The preset choices are "Manual", "Auto 5 sec", "Auto 15 sec", and "Auto 45 sec". The "Auto 45 sec" is the factory preset.

Selecting a Color for Background [Background]

Use this feature to display a blue/black screen when no signal is available.

Selecting Projector Orientation [Orientation]

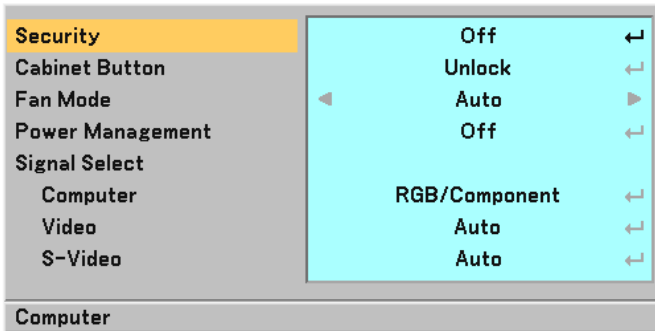
This sets your image for your type of projection application. The options are: desktop front projection, ceiling rear projection, desktop rear projection, and ceiling front projection.

Selecting Communication Speed [Communication Speed]

This feature sets the baud rate of the PC Control port (Mini DIN 8 Pin). It supports data rates from 4800 to 38400 bps.

The default is 38400 bps.

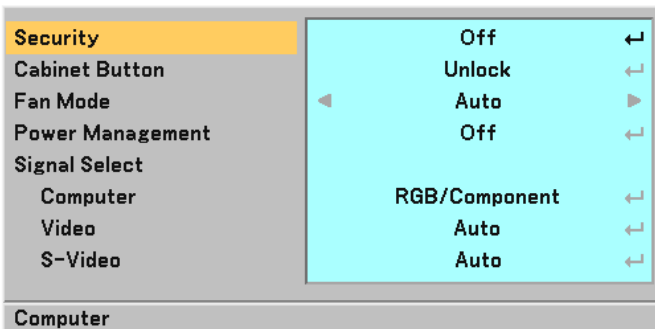
Select the appropriate baud rate for your equipment to be connected (depending on the equipment, a lower baud rate may be recommended for long cable runs).

Advanced**Preventing the Unauthorized use of the projector [Security]**

A keyword can be set for your projector to avoid operation by an unauthorized user using the Menu. When a keyword is set, turning on the projector will display the Keyword input screen. Unless the correct keyword is entered, the projector cannot project an image.

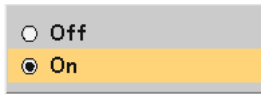
To enable the Security function:

1. Select [Advanced] → [Security] and press the **ENTER** button.



The Off/On menu will be displayed.

2. Select "On" and press the **ENTER** button.



The [Keyword] screen will be displayed.

3. Type in a combination of the four **SELECT ▲▼◀▶** buttons and press the **ENTER** button.

NOTE: A keyword must be four to 10 digits in length.



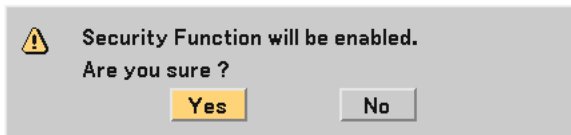
The [Confirm Keyword] screen will be displayed.

4. Type in the same combination of **SELECT ▲▼◀▶** buttons and press the **ENTER** button.



The confirmation screen will be displayed.

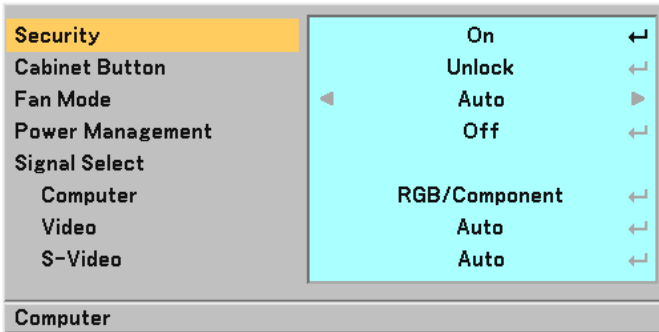
5. Select "Yes" and press the **ENTER** button.



The Security function has been enabled.

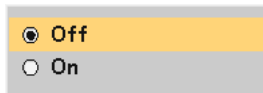
To disable the Security function:

1. Select [Advanced] → [Security] and press the **ENTER** button.

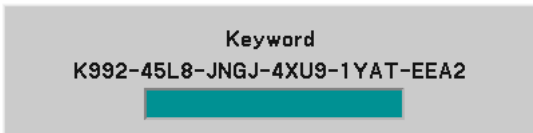


The Off/On menu will be displayed.

2. Select "Off" and press the **ENTER** button.



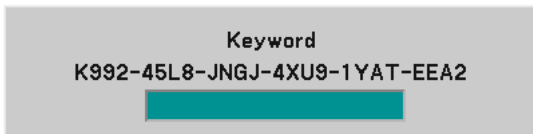
The Keyword confirmation screen will be displayed.



3. Type in your keyword and press the **ENTER** button.
When the correct keyword is entered, the Security function will be disabled.

When the Security function is enabled and the projector is turned on, the projector will display a blue background.

To display an image at this time, press the **MENU** button to display the Keyword input screen.



Type in the correct keyword and press the **ENTER** button. The projector will display an image.

NOTE:

- The security disable mode is maintained until the main power is turned off (by setting the main power switch to "0" or unplugging the power cable).
 - If you forget your keyword, contact your dealer. Your dealer will provide you with your keyword in exchange for your request code. Your request code is displayed in the Keyword Confirmation screen. In this example "K992-45L8-JNGJ-4XU9-1YAT-EEA2" is a request code.
-

Disabling the Cabinet Buttons [Cabinet Button]

This option turns on or off the Key Lock function for cabinet buttons.

NOTE:

- The Cabinet Buttons setting will not affect the remote control or PC Control Functions.
 - When the cabinet buttons are disabled, pressing and holding the **[EXIT]** button for about 10 seconds will change the setting to enable.
-

Enabling Fan Speed Mode [Fan Mode]

This option allows you to select two modes for fan speed: Auto mode and High speed mode.

Auto The built-in fans automatically run at a variable speed according to the internal temperature.

High The built-in fans run at a fixed high speed.

When you wish to cool down the temperature inside the projector quickly, select "High".

NOTE: It is recommended that you select High speed mode if you continue to use the projector for consecutive days.

Enabling Power Management [Power Management]

When this option is selected you can enable the projector to automatically turn off (at the selected time) if there is no signal received by any input.

Selecting Signal Format [Signal Select]

[Computer]

Normally select "RGB/Component" and the projector automatically detects a component signal. Select "Scart" for the European Scart signal.

[Video & S-Video System Select]

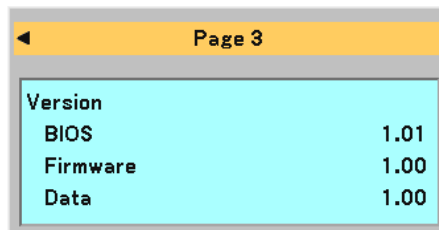
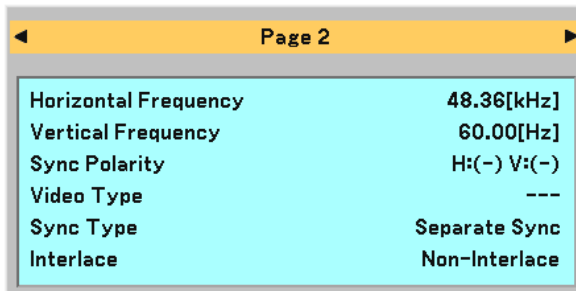
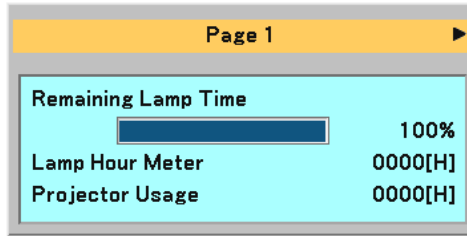
This feature enables you to select composite video standards automatically or manually.

Normally select "Auto" and the projector will automatically detect the video standard.

In the case where the projector has difficulty detecting the video standard, select the appropriate video standard from the menu.

This must be done for Video and S-Video respectively.

Information



Displays the status of the current signal and lamp usage. This item has three pages. The information included is as follows:

[Page 1]

Remaining Lamp Time (%)*
Lamp Hour Meter (H)
Projector Usage (H)

* The progress indicator shows the percentage of remaining bulb life.

The value informs you of the amount of lamp usage. When the remaining lamp time reaches 0, the Remaining Lamp Time bar indicator changes from 0% to 100 Hours and starts counting down.

If the remaining lamp time reaches 0 hours, the projector will not turn on regardless of whether the lamp mode is set to Normal or Eco.

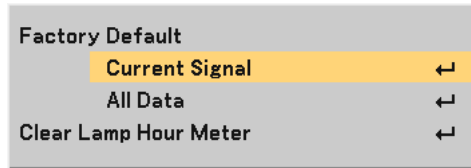
[Page 2]

Horizontal Frequency
Vertical Frequency
Sync Polarity
Video Type
Sync Type
Interlace

[Page 3]

BIOS Version
Firmware Version
Data Version

Reset



Returning to Factory Default [Factory Default]

The Factory Default feature allows you to change adjustments and settings to the factory preset for a (all) source (s) except the following:

[Current Signal]

Resets the adjustments for the current signal to the factory preset levels.

All the items in "Picture", "Adjustment (except "Wall Color")" and "Image (except "Keystone" and "Keystone Save")" can be reset.

[All Data]

Reset all the adjustments and settings for all the signals to the factory preset.

All items can be reset except Language, Background, Communication Speed, Security, Remaining Lamp Time, Lamp Hour Meter, and Projector Usage.

To reset the lamp usage time, see "Clear Lamp Hour Meter".

Clearing Lamp Hour Meter [Clear Lamp Hour Meter]

Resets the lamp clock back to zero. Selecting this option displays submenu for a confirmation.

NOTE: The projector will turn off and go into standby mode after 2100 hours (up to 3100 hours in Eco mode) of service. If this happens, press the **HELP** button on the remote control for ten seconds to reset the lamp clock back to zero. Do this only after replacing the lamp.

6. MAINTENANCE

This section describes the simple maintenance procedures you should follow to replace the lamp and clean the projector cabinet.

Replacing the Lamp

After your lamp has been operating for 2000 hours (up to 3000 hours in Eco mode) or longer, the **LAMP** indicator in the cabinet will blink red and the message "The lamp has reached the end of its usable life. Please replace the lamp." will appear. Even though the lamp may still be working, replace it at 2000 (up to 3000 hours in Eco mode) hours to maintain optimal projector performance.

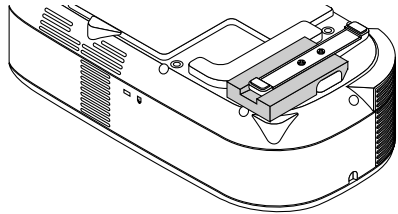
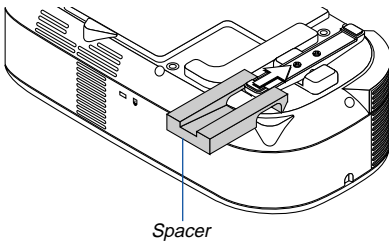
CAUTION

- **DO NOT TOUCH THE LAMP** immediately after it has been used. It will be extremely hot. Turn the projector off, wait 60 seconds, turn off the main power switch and then disconnect the power cable. Allow at least one hour for the lamp to cool before handling.
- **DO NOT REMOVE ANY SCREWS** except the lamp cover screw and two lamp case screws. You could receive an electric shock.
- Do not break the glass on the lamp housing.
Keep finger prints off the glass surface on the lamp housing. Leaving finger prints in the glass surface might cause an unwanted shadow and poor picture quality.
- The projector will turn off and go into standby mode after 2100 (up to 3100 hours in Eco mode) hours of service. If this happens, be sure to replace the lamp. If you continue to use the lamp after 2000 hours (up to 3000 hours in Eco mode) of use, the lamp bulb may shatter, and pieces of glass may be scattered in the lamp case. Do not touch them as the pieces of glass may cause injury. If this happens, contact your NEC dealer for lamp replacement.

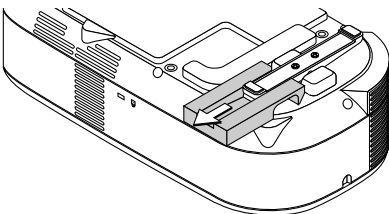
To replace the lamp:

Preparation:

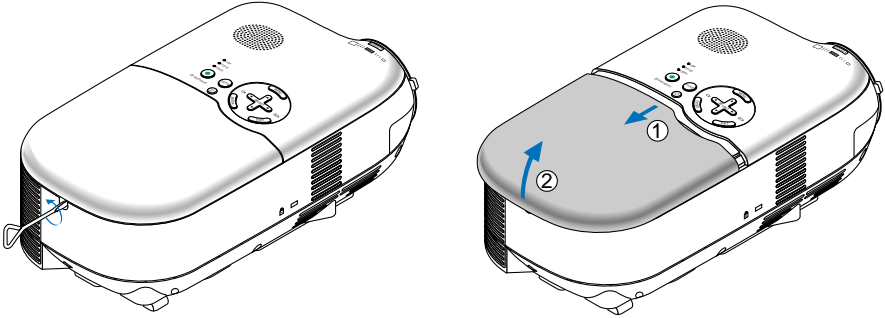
Be sure to insert the included spacer between the rear foot and the projector's bottom to prevent the projector from accidentally tilting when inserting the lamp house.



Remove the spacer after replacing the lamp.



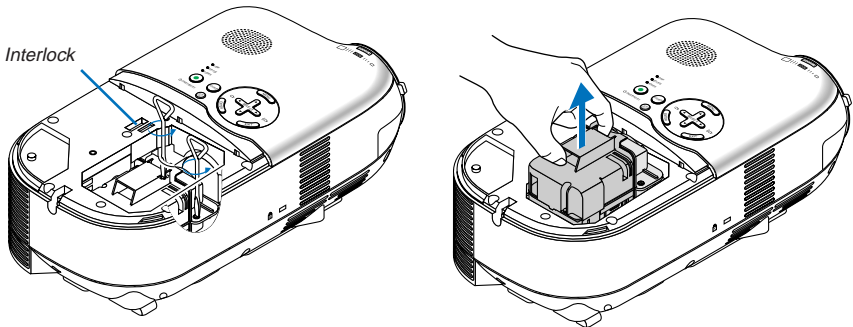
1. Loosen the lamp cover screw until the screwdriver goes into a freewheeling condition and remove the lamp cover. The lamp cover screw is not removable.



2. Loosen the two screws securing the lamp housing until the screwdriver goes into a freewheeling condition. The two screws are not removable.

Remove the lamp housing by holding it.

NOTE: There is an interlock on this case to prevent the risk of electrical shock. Do not attempt to circumvent this interlock.



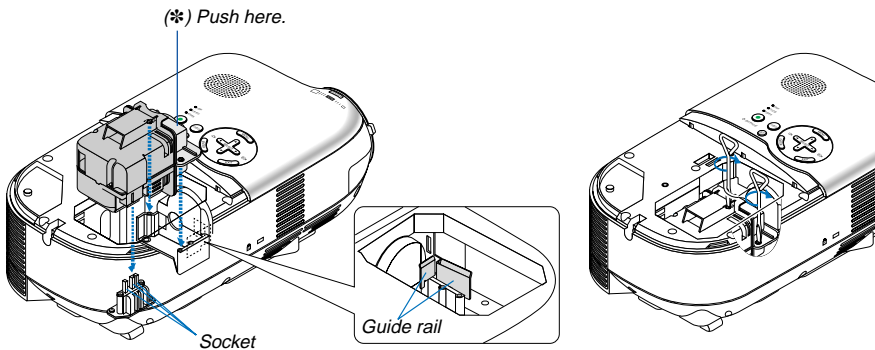
3. Insert a new lamp housing until the lamp housing is plugged into the socket.

Secure it in place with the two screws.

Be sure to tighten the screws.

CAUTION

- Do not use a lamp other than the replacement lamp (LH02LP).
Order this from your dealer.



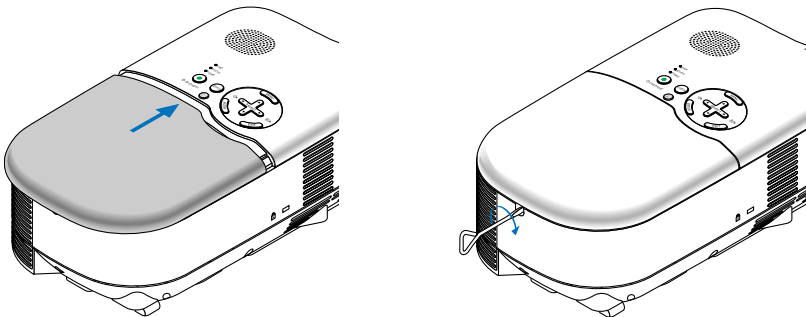
NOTE:

- Align the lamp housing with the guide rail. Make sure the lamp housing plug goes to the socket correctly.
- If both screws are not tightened securely, an image may not be displayed correctly.
In this case, apply firm pressure to the portion of asterisk (*) in the above drawing to seat the lamp housing into the case.

4. Reattach the lamp cover.

Tighten the lamp cover screw.

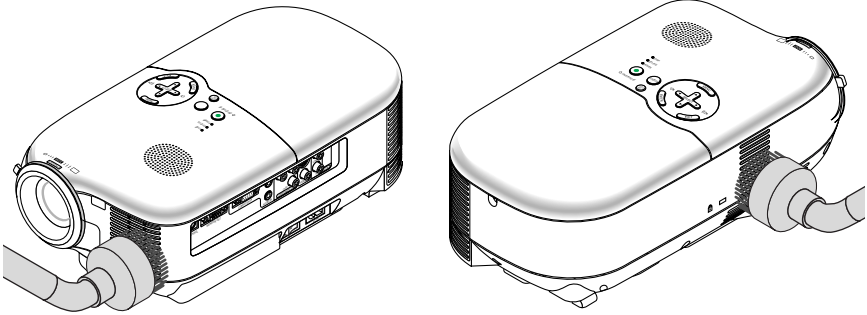
Be sure to tighten the screw.



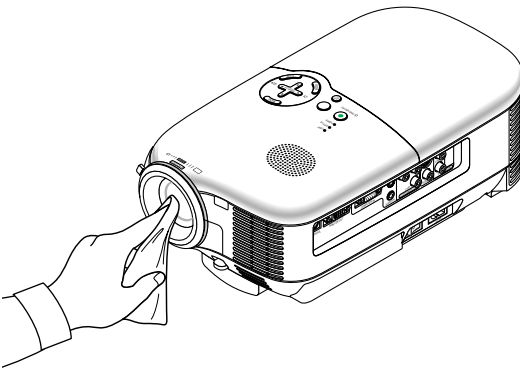
5. After you install a new lamp, select the menu → [Reset] → [Clear Lamp Hour Meter] to reset the lamp usage hours.

NOTE: When the lamp exceeds 2100 hours (up to 3100 hours in Eco mode) of service, the projector cannot turn on and the menu is not displayed. If this happens, press the **HELP** button on the remote control for a minimum of 10 seconds while in standby mode. When the lamp time clock is reset to zero, the **LAMP** indicator goes out.

Cleaning the Cabinet and the Lens



1. Turn off the projector before cleaning.
2. Clean the cabinet periodically with a damp cloth. If heavily soiled, use a mild detergent. Never use strong detergents or solvents such as alcohol or thinner.
3. Use a blower or lens paper to clean the lens, and be careful not to scratch or mar the lens.



7. TROUBLESHOOTING

This section helps you resolve problems you may encounter while setting up or using the projector.

Power Indicator

Indicator Condition			Projector Condition	Note
Off			The main power is off.	–
Blinking light	Green	0.5 sec On, 0.5 sec Off	The projector is getting ready to turn on.	Wait for a moment.
		2.5 sec On, 0.5 sec Off	Off Timer is enabled.	–
	Orange	0.5 sec On, 0.5 sec Off	The projector is cooling down.	Wait for a moment.
Steady light	Green		The projector is turned on.	–
	Orange		The projector is in Standby.	–

Status Indicator

Indicator Condition			Projector Condition	Note
Off			Normal	–
Blinking light	Red	1 cycle (0.5 sec On, 2.5 sec Off)	Lamp cover error or lamp housing error	Replace the lamp cover or lamp housing correctly.
		2 cycle (0.5 sec On, 0.5 sec Off)	Temperature error	The projector is overheated. Move the projector to a cooler location.
		4 cycle (0.5 sec On, 0.5 sec Off)	Fan error	Fans will not work correctly.
		6 cycle (0.5 sec On, 0.5 sec Off)	Lamp error	Lamp fails to light. Wait a full minute and then turn on again.
	Green		Re-firing the lamp	The projector is re-firing.
Steady light	Orange		Cabinet button locked	You have pressed cabinet button when Cabinet Button is locked.

Lamp Indicator

Indicator Condition			Projector Condition	Note
Off			Normal	–
Blinking light	Red		Lamp has reached its end of life. Lamp replacement message will be displayed.	Replace the lamp.
Steady light	Red		Lamp has been used beyond its limit. The projector will not turn on until the lamp is replaced.	Replace the lamp.
	Green		Lamp mode is set to Eco mode.	–

Common Problems & Solutions

Problem	Check These Items
Does not turn on	<ul style="list-style-type: none"> • Check that the power cable is plugged in and that the power button on the projector cabinet or the remote control is on. See pages E-19 and E-20. • Ensure that the lamp cover or lamp housing is installed correctly. See page E-46. • Check to see if the projector has overheated or the lamp has reached the end of its usable life. If there is insufficient ventilation around the projector or if the room where you're presenting is particularly warm, move the projector to a cooler location. • The lamp may fail to light. Wait a full minute and then turn on the power again. • The lamp has reached the end of its usable life. Replace the lamp.
Lamp does not turn on; [POWER] and [STATUS] LEDs are blinking green at the same time	<ul style="list-style-type: none"> • Wait for 60 seconds (cooling period) to see if the lamp turns on by itself. [POWER] and [STATUS] LEDs blinking green at the same time indicates the main power was interrupted during previous operation.
Will turn off	<ul style="list-style-type: none"> • Ensure that the Power Management is off. See page E-41.
No picture	<ul style="list-style-type: none"> • Use the [VIDEO], [S-VIDEO], [COMPUTER] or [COMPONENT] button on the remote control or the [SOURCE] button on the cabinet to select your source (Video, S-Video, Component or Computer). See page E-22. • Ensure your cables are connected properly. • Use menus to adjust the brightness and contrast. See page E-34. • Reset the settings or adjustments to factory preset levels using "Reset" in the menu. See page E-43. • Enter your registered keyword if the Security function is enabled. See page E-38. • When using with a notebook PC, be sure to connect between the projector and the notebook PC before turning on the power to the notebook PC. In most cases signal cannot be output from RGB output unless the notebook PC is turned on after connecting with the projector. <ul style="list-style-type: none"> * If the screen goes blank while using your remote control, it may be the result of the computer's screensaver or power management software. * For more detailed, see page E-51.
Image isn't square to the screen	<ul style="list-style-type: none"> • Reposition the projector to improve its angle to the screen. See pages E-22 and E-23. • Use the Keystone correction function to correct the trapezoid distortion. See page E-25.
Color tone or hue is unusual	<ul style="list-style-type: none"> • Check if an appropriate color is selected in "Wall Color". If so, select an appropriate option. See page E-34. • Adjust "Hue" in "Picture". See page E-34.

Problem	Check These Items
Picture is blurred	<ul style="list-style-type: none"> • Remove the lens cap. • Adjust the focus. See page E-25. • Reposition the projector to improve its angle to the screen. See pages E-22 and E-23. • Ensure that the distance between the projector and screen is within the adjustment range of the lens. See pages E-11 and E-12. • Condensation may form on the lens if the projector is cold, brought into a warm place and is then turned on. Should this happen, let the projector stand until there is no condensation on the lens.
Image is scrolling vertically, horizontally or both	<ul style="list-style-type: none"> • Use the [VIDEO], [S-VIDEO], [COMPUTER] or [COMPONENT] button on the remote control or the [SOURCE] button on the cabinet to select the source you want to input. • Adjust the computer image manually with the Horizontal /Vertical Position. See page E-37. • Connect a source the projector supports. See Compatible Input Signal List on page E-57.
Remote control does not work	<ul style="list-style-type: none"> • Install new batteries. See page E-8. • Make sure there are no obstacles between you and the projector. • Stand within 22 feet (7 m) of the projector. See page E-9.
Indicator is lit or blinking	<ul style="list-style-type: none"> • See the Power/Status/Lamp Indicator on page E-48.
Cross color in RGB mode	<ul style="list-style-type: none"> • Press the [AUTO ADJ.] button on the projector cabinet or the remote control. See page E-26. • Adjust the computer image manually with the Clock and Phase in “Image” of the menu. See page E-37.

If there is no picture, or the picture is not displayed correctly.

- Power on process for the projector and the PC.
Be sure to connect the RGB cable between the projector and the computer before turning on the computer. There are some notebook PCs, which do not output signal unless there is a projector or monitor connected first.

***NOTE:** You can check the horizontal frequency of the current signal in the projector's menu under Information. If it reads "0 kHz", this means there is no signal being output from the computer. See page E-42 or go to next step.*

- Enabling the computer's external display.
Displaying an image on the notebook PC's screen does not necessarily mean it outputs a signal to the projector. When using a PC compatible laptop, a combination of function keys will enable/disable the external display. Usually, the combination of the 'Fn' key along with one of the 12 function keys gets the external display to come on or off. For example, NEC laptops use Fn + F3, while Dell laptops use Fn + F8 key combinations to toggle through external display selections.
- Non-standard signal output from the computer
If the output signal from a notebook PC is not an industry standard, the projected image may not be displayed correctly.
Should this happen, deactivate the notebook PC's LCD screen when the projector display is in use. Each notebook PC has a different way of deactivate/reactivate the local LCD screens as described in the previous step. Refer to your computer's documentation for detailed information.
- Image displayed is incorrect when using a Macintosh
When using a Macintosh with the projector, set the DIPswitch of the Mac adapter (not supplied with the projector) according to your resolution. After setting, restart your Macintosh for the changes to take affect. For setting display modes other than those supported by your Macintosh and the projector, changing the DIP switch on a Mac adapter may bounce an image slightly or may display nothing. Should this happen, set the DIP switch to the 13" fixed mode and then restart your Macintosh. After that, restore the DIP switches to a displayable mode and then restart the Macintosh again.

***NOTE:** A Video Adapter cable manufactured by Apple Computer is needed for a PowerBook which does not have a mini D-Sub 15-pin connector.*

- Mirroring on a PowerBook
* When using the projector with a Macintosh PowerBook, output may not be set to 1024 x 768 unless "mirroring" is off on our PowerBook. Refer to owner's manual supplied with your Macintosh computer for mirroring.
- Folders or icons are hidden on the Macintosh screen
Folders or icons may not be seen on the screen. Should this happen, select [View] → [Arrange] from the Apple menu and arrange icons.

8. SPECIFICATIONS

This section provides technical information about the LT180 Projector's performance.

Model Number **LT180**

Optical

DMD	Single Chip Digital Micromirror Device (DMD)
Resolution	1024×768 pixels* up to 1080i with scaling technology
Lens	Manual zoom and focus F2.0 - 2.48 f=19.7 mm - 23.0 mm
Lamp	210W DC (168W Eco mode)
Image Size	30" - 200" diagonal
Projection Distance	31.4" - 220.4" (wide) / 37.7" - 262.2" (tele) 0.80 m - 5.60 m (wide) / 0.96 m - 6.66 m (tele)
Projection Angle	12.2° - 12.8° (wide) / 10.3° - 10.8° (tele)

Electrical

Inputs	1 VGA (Mini D-Sub 15 Pin), 1 S-Video (Mini DIN 4 Pin), Video (RCA), 1 Component (Y, Cb/Pb, Cr/Pr), 1 Stereo Mini Audio, 1 Audio L/R (RCA), 1 PC Control (Mini DIN 8 Pin)
Outputs	1RGB (Mini D-Sub 15 Pin), 1 Stereo Mini Audio
Video Compatibility	NTSC, NTSC4.43, PAL, PAL-60, PAL-N, PAL-M, SECAM, Component:1080i, 720p, 576p, 480p, 576i, 480i
Scan Rate	Horizontal: 15 kHz to 100 kHz (RGB: 24 kHz or over) / Vertical: 50 Hz to 85 Hz
Color Reproduction	16.7 million colors simultaneously, Full color
Horizontal Resolution	NTSC / NTSC4.43/PAL / YCbCr: 540 TV lines SECAM: 300 TV lines RGB: 1024 dots (H)×768 dots (V)
External Control	IR, RS232C
Sync Compatibility	Separate Sync / Composite Sync / Sync on G
Built-in Speaker	1W (Monaural)
Power Requirement	100 - 240V AC, 50 / 60 Hz
Input Current	3.2 - 1.5A
Power Consumption	280W in Lamp Normal mode 220W in Lamp Eco mode 7.0W in Standby mode

* Effective pixels are more than 99.99%

Mechanical

Installation Orientation	Desktop/Front, Desktop/Rear, Ceiling/Front, Ceiling/Rear
Dimensions	7.4" (W) × 4.4" (H) × 13.3" (D) 187mm (W) × 113mm (H) × 337mm (D) (not including protrusions)
Net Weight	6.4 lbs / 2.9 kg
Environmental Considerations	Operational Temperatures: 41°F to 95°F (5°C to 35°C), 20% to 80% humidity (non-condensing) Storage Temperatures: 14°F to 122°F (-10°C to 50°C), 20% to 80% humidity (non-condensing)
Regulations	UL/C-UL Approved (UL 60950, CSA 60950) Meets DOC Canada Class B requirements Meets FCC Class B requirements Meets AS/NZS CISPR 22 Class B Meets EMC Directive (EN55022, EN55024, EN61000-3-2, EN61000-3-3) Meets Low Voltage Directive (EN60950, TÜV GS Approved) CE

For additional information visit:

US : <http://www.necvisualsystems.com>

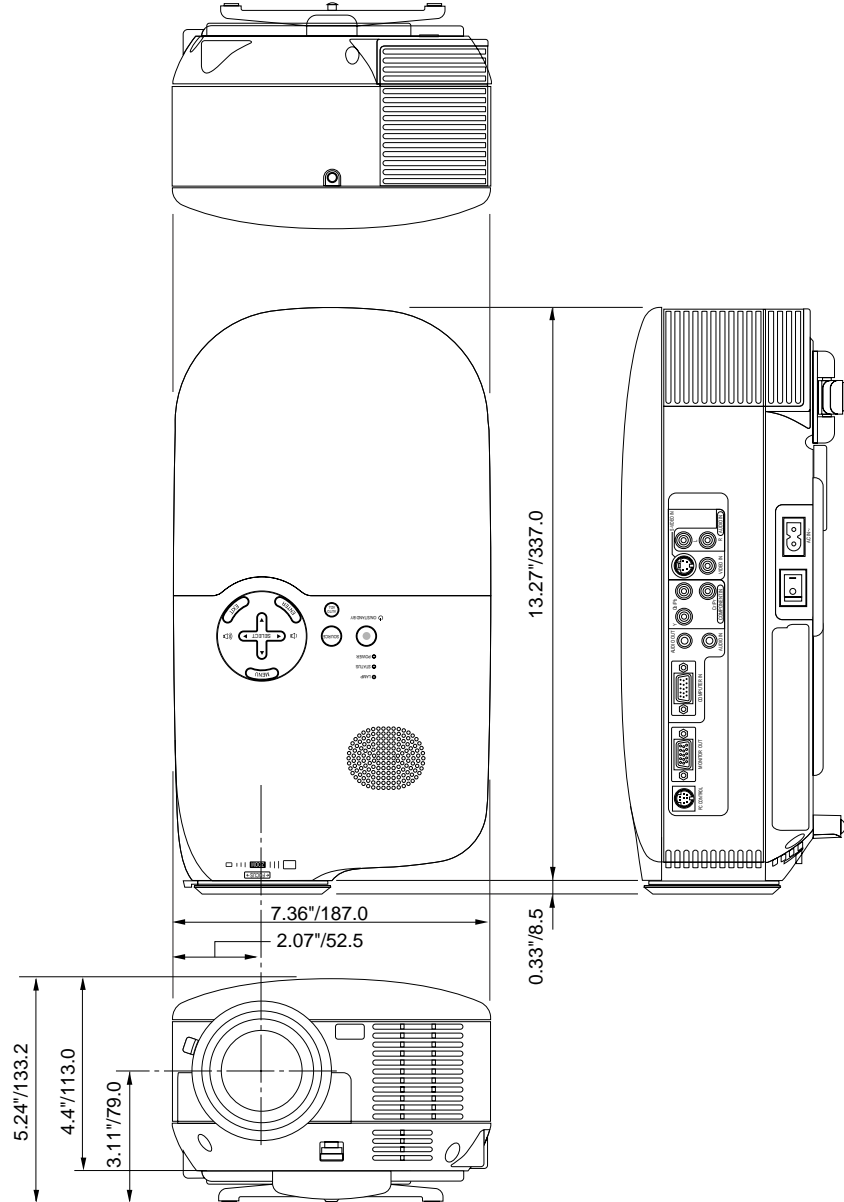
Europe : <http://www.neceurope.com/>

Global : <http://www.nec-pj.com/>

The specifications are subject to change without notice.

9. APPENDIX

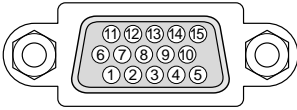
Cabinet Dimensions



Unit = inch/mm

Pin Assignments of COMPUTER IN (D-Sub RGB) Connector

Mini D-Sub 15 Pin Connector



Signal Level

Video signal : 0.7Vp-p (Analog)

Sync signal : TTL level

Pin No.	RGB Signal (Analog)	YCbCr Signal
1	Red	Cr
2	Green or Sync on Green	Y
3	Blue	Cb
4	Ground	
5	Ground	
6	Red Ground	Cr Ground
7	Green Ground	Y Ground
8	Blue Ground	Cb Ground
9	No Connection	
10	Sync Signal Ground	
11	SCART Sync	
12	Bi-directional DATA (SDA)	
13	Horizontal Sync or Composite Sync	
14	Vertical Sync	
15	Data Clock	

PC Control Codes and Cable Connection

PC Control codes

Function	Code Data								
POWER ON	02H	00H	00H	00H	00H	02H			
POWER OFF	02H	01H	00H	00H	00H	03H			
INPUT SELECT COMPUTER	02H	03H	00H	00H	02H	01H	01H	09H	
INPUT SELECT COMPONENT	02H	03H	00H	00H	02H	01H	11H	19H	
INPUT SELECT VIDEO	02H	03H	00H	00H	02H	01H	06H	0EH	
INPUT SELECT S-VIDEO	02H	03H	00H	00H	02H	01H	0BH	13H	
PICTURE MUTE ON	02H	10H	00H	00H	00H	12H			
PICTURE MUTE OFF	02H	11H	00H	00H	00H	13H			
SOUND MUTE ON	02H	12H	00H	00H	00H	14H			
SOUND MUTE OFF	02H	13H	00H	00H	00H	15H			
ON SCREEN MUTE ON	02H	14H	00H	00H	00H	16H			
ON SCREEN MUTE OFF	02H	15H	00H	00H	00H	17H			

NOTE: Contact your local dealer for a full list of the PC Control Codes if needed.

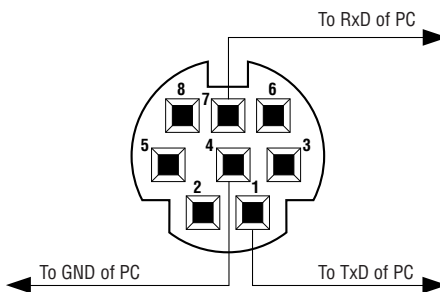
Cable Connection

Communication Protocol

Baud rate	38400 bps
Data length	8 bits
Parity	No parity
Stop bit	One bit
X on/off	None
Communications procedure	Full duplex

NOTE: Depending on the equipment, a lower baud rate may be recommended for long cable runs.

PC Control Connector (Mini DIN-8P)



NOTE: Pins 2, 3, 5, 6 and 8 are used inside the projector.

Compatible Input Signal List

Horizontal: 15 kHz to 100 kHz (RGB: 24 kHz or over)

Vertical: 50 Hz to 85 Hz

Signal	Resolution		Frequency H. (kHz)	Refresh Rate (Hz)
	(Dots)			
NTSC	–		15.734	60
PAL	–		15.625	50
PAL60	–		15.734	60
SECAM	–		15.625	50
VESA	640	480	31.47	59.94
IBM	640	480	31.47	60
MAC	640	480	31.47	60
MAC	640	480	34.97	66.67
MAC	640	480	35	66.67
VESA	640	480	37.86	72.81
VESA	640	480	37.5	75
IBM	640	480	39.375	75
VESA	640	480	43.269	85.01
VESA	800	600	35.16	56.25
VESA	800	600	37.879	60.32
VESA	800	600	48.077	72.19
VESA	800	600	46.88	75
VESA	800	600	53.674	85.06
MAC	832	624	49.725	74.55
VESA	1024	768	48.363	60
VESA	1024	768	56.476	70.07
MAC	1024	768	60.241	74.93
VESA	1024	768	60.023	75.03
VESA	1024	768	68.677	85
VESA	1152	864	67.5	75
SUN	1152	900	61.796	65.95
VESA	1280	960	60	60
VESA	1280	1024	63.981	60.02
MAC	1280	1024	69.89	65.18
SXGA+	1400	1050	–	–
SDTV(480p)(525p)	–	–	31.47	59.94 Progressive
SDTV(576p)(625p)	–	–	31.25	50 Progressive
HDTV (1080i)(1125i)	1920	1080	33.75	60 Interlaced
HDTV (1080i)(1125i)	1920	1080	28.125	50 Interlaced
HDTV (720p)(750p)	1280	720	45	60 Progressive
HDTV (720p)(750p)	1280	720	37.5	50 Progressive
DVD YCbCr	–	–	15.734	59.94 Interlaced
DVD YCbCr	–	–	15.625	50 Interlaced

Images in above list are displayed with scaling technology.

NOTE: Some composite sync signals may not be displayed correctly.

Signals other than those specified in the table above may not be displayed correctly. If this should happen, change the refresh rate or resolution on your PC. Refer to Display Properties help section of your PC for procedures.

Troubleshooting Check List

Before contacting your dealer or service personnel, check the following list to be sure repairs are needed also by referring to the "Troubleshooting" section in your user's manual. This checklist below will help us solve your problem more efficiently.

* Print the following pages.

Frequency of occurrence always sometimes (How often? _____) other (_____)

Power

- No power (POWER indicator does not light green) See also "Status Indicator (STATUS)".
 - Power cable's plug is fully inserted into the wall outlet.
 - Main power switch is pressed to the ON position.
 - Lamp cover is installed correctly .
 - Lamp Hour Meter (lamp operation hours) was cleared after lamp replacement.
 - No power even though you press and hold the POWER button for a minimum of 2 seconds.
- Shut down during operation.
 - Power cable's plug is fully inserted into the wall outlet.
 - Lamp cover is installed correctly .
 - Power Management is turned off (only models with the Power Management function).
 - Sleep Timer is turned off (only models with the Sleep Timer function) .

Video and Audio

- No image is displayed from your PC or video equipment to the projector.
 - Still no image even though you connect the projector to the PC first, then start the PC.
 - Enabling your notebook PC's signal output to the projector.
 - *A combination of function keys will enable/disable the external display. Usually, the combination of the "Fn" key along with one of the 12 function keys turns the external display on or off.*
 - No image (blue background, logo, no display).
 - Still no image even though you press the AUTO ADJUST button.
 - Still no image even though you carry out "Reset" in the projector's menu.
 - Signal cable's plug is fully inserted into the input connector
 - A message appears on the screen. (_____)
 - The source connected to the projector is active and available.
 - Still no image even though you adjust the brightness and/or the contrast.
 - Input source's resolution and frequency are supported by the projector.
- Image is too dark.
 - Remains unchanged even though you adjust the brightness and/or the contrast.
- Image is distorted.
 - Image appears to be trapezoidal (unchanged even though you carry out the "Keystone" or "3D Reform" adjustment).
- Parts of the image are lost.
 - Still unchanged even though you press the AUTO ADJUST button.
 - Still unchanged even though you carry out "Reset" in the projector's menu.
- Image is shifted in the vertical or horizontal direction.
 - Horizontal and vertical positions are correctly adjusted on a computer signal.
 - Input source's resolution and frequency are supported by the projector.
 - Some pixels are lost.
- Image is flickering.
 - Still unchanged even though you press the AUTO ADJUST button.
 - Still unchanged even though you carry out "Reset" in the projector's menu.
 - Image shows flickering or color drift on a computer signal.
- Image appears blurry or out of focus.
 - Still unchanged even though you checked the signal's resolution on PC and changed it to projector's native resolution.
 - Still unchanged even though you adjusted the focus.
- No sound.
 - Audio cable is correctly connected to the audio input of the projector.
 - Still unchanged even though you adjusted the volume level.
 - AUDIO OUT is connected to your audio equipment (only models with the AUDIO OUT connector).

Other

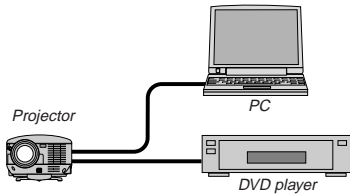
- Remote control does not work.
 - No obstacles between the sensor of the projector and the remote control.
 - Projector is placed near a fluorescent light that can disturb the infrared remote controls.
 - One or more remote sensors are enabled (only models with the Remote Sensor Selection function).
 - Batteries are new and are not reversed in installation.
 - If present on the remote control, projector selector switch is not used.
- Buttons on the projector cabinet do not work (only models with the Key Lock function).
 - Cabinet Button Lock is not turned on or is disabled in the menu.
 - Still unchanged even though you press and hold the EXIT button for a minimum of 10 seconds.

In the space below please describe your problem in detail.

Information on application and environment where your projector is used

Projector

Model number:
 Serial No.:
 Date of purchase:
 Lamp operating time (hours):
 Lamp Mode: Normal Eco
 Information on input signal:
 Horizontal synch frequency [] kHz
 Vertical synch frequency [] Hz
 Synch polarity H (+) (—)
 V (+) (—)
 Synch type Separate Composite
 Sync on Green
 STATUS Indicator:
 Steady light Orange Green
 Flashing light [] cycles
 Remote control model number:



Signal cable

NEC standard or other manufacturer's cable?
 Model number: Length: inch/m
 Distribution amplifier
 Model number:
 Switcher
 Model number:
 Adapter
 Model number:

Installation environment

Screen size: inch
 Screen type: White matte Beads Polarization
 Wide angle High contrast
 Throw distance: feet/inch/m
 Orientation: Ceiling mount Desktop
 Power outlet connection:
 Connected directly to wall outlet
 Connected to power cord extender or other (the number of connected equipment _____)
 Connected to a power cord reel or other (the number of connected equipment _____)

Computer

Manufacturer:
 Model number:
 Notebook PC / Desktop
 Native resolution:
 Refresh rate:
 Video adapter:
 Other:

Video equipment

VCR, DVD player, Video camera, Video game or other
 Manufacturer:
 Model number:

TravelCare Guide

TravelCare - a service for international travelers

This product is eligible for "TravelCare", NEC's unique international warranty.

Please note that TravelCare coverage differs in part from coverage under the warranty included with the product.

Services offered with TravelCare

This warranty allows customers to receive service on their product at the NEC and NEC-designated service stations in the countries listed herein when temporarily traveling internationally for business or pleasure.

For details on services offered by the different service stations, please refer to the "List of TravelCare Outlets" below.

1 Repair services

The product will be repaired and delivered within 10 business days, not including shipping time.

During the term of warranty, the cost of maintenance parts, labor costs for repairs and shipping costs within the service station's coverage area are covered by the warranty.

2 Replacement product rental service

If the customer desires, he or she can rent a replacement product while the original product is being repaired.

Fee: US\$200 for 12 days

This fee must be paid at the local service station in cash or credit card.

The \$200 rental fee is non-refundable even if the customer rents it less than 12 days before returning.

The replacement product will be delivered within 3 business days.

If the customer did not return the replacement product within 12 days, the customer will be charged the price of the unit.

If the customer returned the replacement product in a faulty or damaged condition, the repair cost will be charged to the customer.

Note that this service is not offered in all countries and regions. Please refer to the "List of TravelCare Outlets".

In addition, this replacement product rental service is not offered after the product's warranty has expired.

Term of warranty

1

a. *Upon presentation of the warranty or receipt received upon purchase:*

Valid for the term indicated on the warranty or the normal term of warranty for the country of purchase.

b. *When only the product is brought in:*

Valid for a period of within 14 months of the date of manufacture indicated by the serial number attached to the product.

2 When a product whose term of warranty is expired is brought in:

Repairs will be offered for a fee. In this case the customer is not eligible for the replacement product rental service.

3 In the following cases, repairs may be charged, even if the product's warranty is still in effect:

1) *If the term of warranty, model name, serial number and name of the store of purchase are not indicated on the warranty or have been altered.*

2) *Problems or damage caused by dropping or shocks during shipment or movement by the customer or by improper handling by the customers.*

3) *Problems or damage caused by improper usage or unwarrantable alterations or repairs by the customer.*

4) *Problems or damage caused by fire, salt damage, gas damage, earthquakes, lightning damage, storm or flood damage or other natural disasters or such external factors as dust, cigarette smoke, abnormal voltage, etc.*

5) *Problems or damage caused by use in hot or humid places, in vehicles, boats or ships, etc.*

6) *Problems or damage caused by expendable supplies or devices connected to the product other than those designated by NEC.*

7) *Problems caused by natural consumption, wear or deterioration of parts under normal usage conditions.*

8) *Problems or damage to lamps and other expendable supplies, included parts or optional parts.*

9) *Other conditions stipulated in the warranty included with the product also apply.*

NOTE: *The product can be used overseas with voltages of 100 to 120V and 200 to 240V by using a power cable suited for the standards and power source voltage of the country in which the product is being used.*

List of TravelCare Outlets

This list applies as of December 1, 2004.

For the most up-to-date information, please refer to the websites of the service stations in the various countries on the List of TravelCare Outlets or to the NEC website at <http://www.nec-pj.com>.

In Europe

NEC Europe, Ltd. / European Technical Centre

Address: Unit G, Stafford Park 12, Telford TF3 3BJ, U.K.
 Telephone: +44 1952 237000
 Fax Line: +44 1952 237006
 Email Address: AFR@uk.neceur.com
 WEB Address: <http://www.neceur.com>

(Regions Covered)

EU: Austria*, Belgium*, Denmark*, Finland*, France*, Germany*, Greece*, Ireland*, Italy*, Luxembourg*, The Netherlands*, Portugal*, Spain*, Sweden* and the United Kingdom*
 EEA: Norway*, Iceland and Liechtenstein

In North America

NEC Solutions (America), Inc.

Address: 1250 N. Arlington Heights Road, Suite 400
 Itasca, Illinois 60143, U.S.A.
 Telephone: +1 800 836 0655
 Fax Line: +1 800 356 2415
 Email Address: vsd.tech-support@necsam.com
 WEB Address: <http://www.necvisualsystems.com>

(Regions Covered)

U.S.A. *, Canada*

In Oceania

NEC Australia Pty., Ltd.

Address: New South Wales;
 184 Milperra Road, Reversby 2212
 Victoria;
 480 Princess Hwy Noble Park 3174
 South Australia;
 84A Richmond Road, Keswick 5035
 Queensland;
 116 Ipswich Road, Woollongabba 4102
 Western Australia;
 45 Sarich Court Osborne Park 6017
 Telephone: 131 632 (from domestic)
 +61 8 8375 5706 (from overseas)
 Fax Line: +61 8 8375 5757
 Email Address: lee.gramola@nec.com.au
 WEB Address: <http://www.nec.com.au>

(Regions Covered)

Australia*, New Zealand

In Asia and Middle East

NEC Viewtechnology, Ltd.

Address: 686-1, Nishioi, Oi-Machi, Ashigarakami-Gun,
Kanagawa 258-0017, Japan
Telephone: +81 465 85 2369
Fax Line: +81 465 85 2393
Email Address: support_pjweb@nevt.nec.co.jp
WEB Address: <http://www.nec-pj.com>

(Regions Covered)
Japan*

NEC Hong Kong Ltd.

Address: 11th Floor, Tower B, New Mandarin Plaza, 14
Science Museum Road,
Tsim Sha Tsui East, Kowloon, Hong Kong
Telephone: +852 2369 0335
Fax Line: +852 2795 6618
Email Address: esmond_au@nechk.nec.com.hk
WEB Address: <http://www.nec.com.hk>

(Regions Covered)
Hong Kong

NEC Taiwan Ltd.

Address: 7F, No.167, SEC.2, Nan King East Road, Taipei,
Taiwan, R.O.C.
Telephone: +886 2 8500 1734
Fax Line: +886 2 8500 1420
Email Address: nickliao@nec.com.tw
WEB Address: <http://www.nec.com.tw>

(Regions Covered)
Taiwan

NEC Solutions Asia Pacific Pte. Ltd

Address: 401 Commonwealth Drive, #07-02, Haw Par
Technocentre, Singapore 149598
Telephone: +65 6 273 8333
Fax Line: +65 6 274 2226
Email Address: tehgh@rsc.ap.nec.com.sg
WEB Address: <http://www.nec.com.sg/ap>

(Regions Covered)
Singapore

NEC Systems Integration Malaysia Sdn Bhd

Address: Ground Floor, Menara TA One, 22, Jalan P. Ramlee,
50250 Kuala Lumpur, Malaysia
Telephone: +6 03 2164 1199
Fax Line: +6 03 2160 3900
Email Address: necare@nsm.nec.co.jp
WEB Address: <http://www.necmalaysia.com.my>

(Regions Covered)
Malaysia

Tele Service Co., Ltd.

Address: 2nd Fl., Ire B/D. #2, 4Ga, Yangpyeng-Dong,
Youngdeungpo-Gu, Seoul, Korea 150-967
Telephone: +82 2 2163 4193
Fax Line: +82 2 2163 4196
Email Address: moneybear@hyosung.com

(Regions Covered)
South Korea

Lenso Communication Co., Ltd.

Address: 292 Lenso House 4, 1st Floor, Srinakarin Road,
Huamark, Bangkok, Bangkok 10240, Thailand
Telephone: +66 2 375 2425
Fax Line: +66 2 375 2434
Email Address: pattara@lenso.com
WEB Address: <http://www.lenso.com>

(Regions Covered)
Thailand

ABBA Electronics L.L.C.

Address: Tariq Bin Ziyad Road, P.O.Box 327, Dubai,
United Arab Emirates
Telephone: +971 4 371800
Fax Line: +971 4 364283
Email Address: ABBA@emirates.net.ae

(Regions Covered)
United Arab Emirates

Samir Photographic Supplies

Address: P.O.Box 599, Jeddah 21421, Saudi Arabia
Telephone: +966 2 6828219
Fax Line: +966 2 6830820
Email Address: vartkes@samir-photo.com

(Regions Covered)
Saudi Arabia

NOTE: In countries designated with an asterisk(*), replacement product rental service are offered.

Date: / / ,

P-1/ ,

TO: NEC or NEC's Authorized Service Station:**FM:**_____
(Company & Name with signature)

Dear Sir (s),

I would like to apply your TravelCare Service Program based on attached registration and qualification sheet and agree with your following conditions, and also the Service fee will be charged to my credit card account, if I don't return the Loan units within the specified period. I also confirm following information is correct. Regards.

Application Sheet for TravelCare Service Program

Country, product purchased :	
User's Company Name :	
User's Company Address : Phone No., Fax No. :	
User's Name :	
User's Address :	
Phone No., Fax No. :	
Local Contact office :	
Local Contact office Address :	
Phone No., Fax No. :	
User's Model Name :	
Date of Purchase :	
Serial No. on cabinet :	
Problem of units per User :	
Required Service :	(1) Repair and Return (2) Loan unit
Requested period of Loan unit :	
Payment method :	(1) Credit Card (2) Travelers Cheque (3) Cash
In Case of Credit Card : Card No. w/Valid Date :	

Condition of your TravelCare Service Program

Enduser is requested to understand following condition of TravelCare Service Program and complete the necessary information on the application sheet.

1. Service Options:

There are 3 types of "Service" available. Enduser has to understand following condition and is required to fill in the Application Sheet.

1) Repair and Return:

The 'Faulty unit' is sent or collected from the customer. It is repaired and returned within 10 days to the customer, excluding transport time.

There may have a case, repair and return can't be done by NEC Authorized Service Station, because of shortage of spare parts due to same model is not sold in the territory.

2) Repair and Return with Loan: (This service is limited to some Service Stations)

This service is offered to the Enduser, who cannot wait until their unit is repaired.

The customer can borrow a unit for \$200 up to 12 days. Customer then sends in inoperable unit to nearest NEC Authorized Service Station for service. In order to prevent collection problem, Enduser is required to fill in Application Sheet.

Enduser needs to confirm the availability of the Service to NEC Authorized Service Stations.

3) Loan Only:

For this service, NEC Authorized Service Station supplies the customer with a loan unit for US\$200 up to 12 days. Customer keeps the inoperable unit and when customer returns home, customer arranges to have the projector serviced in the home country.

2. Warranty Exclusions:

This program does not apply if the Projector's serial number has been defaced, modified or removed.

If, in the judgement of NEC Authorized Service Station or its agent the defects or failures result from any cause other than fair wear and tear or NEC neglect, or fault including the following without limitation:

- 1) Accidents, transportation, neglect, misuse, abuse, water, dust, smoke or default of or by the Customer its employees or agents or any third party;
- 2) Failure or fluctuation of electrical power, electrical circuitry, air conditioning, humidity control or other environmental conditions such as use it in smoking area;
- 3) Any fault in the attachments or associated products or components (whether or not supplied by NEC or its agents which do not form part of the Product covered by this warranty);
- 4) Any act of God, fire, flood, war, act of violence or any similar occurrence;
- 5) Any attempt by any person other than any person authorized by NEC to adjust, modify, repair, install or service the product.
- 6) Any Cross-border charges such as, duty, insurance, tax etc.

3. Charges for Warranty Exclusions and Out of Warranty Case:

In case faulty unit is under warranty exclusions case or under Out of Warranty period, NEC Authorized Service Station will Inform estimation of actual service cost to the Enduser with reason.

4. Dead on Arrival (DOA):

Enduser must take this issue up with their original supplier in the country of purchase.

NEC Authorized Service Station will repair the DOA unit as a Warranty repair, but will not exchange DOA unit with new units.

5. Loan Service Charges and Conditions:

Upon acceptance of this NEC Projector, Customer agrees to assume liability for this loan unit.

The current cost of use of this loan unit is \$200.00 USD for 12 calendar days.

If Customer does not return the unit within the 12 calendar days, Customer will be charged the next highest cost up to and including the full list price to Credit Cards, which price will be informed by NEC Authorized Service Stations. Please see the attached listing of contacts for each country to arrange for pickup of the loan unit.

If you return to their country of origin with the loan unit, you will be charged additional freight to return the unit to the loaning country.

Thank you for your understanding of this program.