

**Simple.
Powerful.
Versatile.**
The new MultiSync®
MT40™ Series.
The superior choice
in conference
room projectors.

- Intuitive one-touch AutoSense™ and source buttons optimize incoming signals for the best possible on-screen image.
- Easy operation gives presenters control.
- Advanced AccuBlend™ technology delivers incredible resolution, even from non-native sources.
- Up to 2000 ANSI lumens of can't-look-away brightness.
- Optional lenses offer the flexibility to rule many rooms.
- Built-in PC Card Viewer and USB mouse port.

NEC



Rule *the* Room.

Amazingly easy to use.

In fact, they practically set themselves up. Intuitive one-button controls automatically identify and synchronize data and video sources — switching between sources is also achieved with the touch of one button.

Startlingly bright.

With up to 2000 ANSI lumens of brightness the MultiSync MT40 Series absolutely demands attention — whether you can dim the lights or not. Our Advanced AccuBlend (intelligent pixel blending) technology can display non-native sources that enable the best resolution handling capability, for unsurpassed image quality.

Endlessly flexible.

Lighter and more compact, and now with a selection of optional lenses, one MT40 Series projector can handle just about any projection environment. Including rear screen projection and larger-room, multi-source (including DTV and HDTV) productions.

Notably reliable.

NEC Technologies has earned a global reputation for reliability. So you can expect long-term, failure-free service. Should an emergency arise, you're covered by our comprehensive service and support program: InstaCare®. We guarantee repairs to your projector in 72 hours, and ship a replacement within 24. We track and pay shipping.

ProSelecta

View :: Compare :: Select - www.ProSelecta.com

The new MT40 Series

The Superior Choice In Conference Room Projectors



Optical

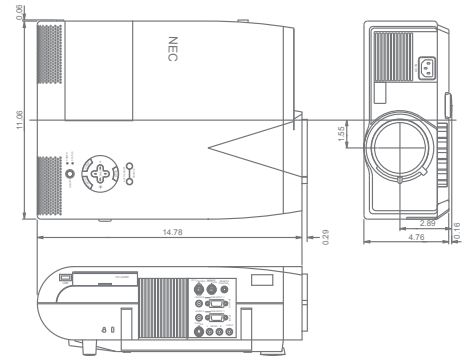
LCD Panel Size	MT1045: 1.3" p-Si TFT w/MLA MT1040/MT840: 1.3" p-Si TFT
Native Resolution	MT1045/MT1040: 1024x768 pixels MT840: 800x600 pixels
Light Output	MT1045: 2000 ANSI lumens MT1040: 1300 ANSI lumens MT840: 1500 ANSI lumens
Lamp	MT1045: 200W NSH MT1040/MT840: 180W NSH
Lamp Life	MT1045: 1500H MT1040/MT840: 2000H
Standard Lens	Manual zoom and Manual focus MT1045: F1.8-2.2, f=49.3-59.3mm MT1040/MT840: F2.3-2.7, f=48.6-58.4mm
Contrast Ratio	300:1
Image Size	MT1045/MT1040/MT840: 30-300 inches diagonal
Projection Distance	MT1045 4.2-36.9ft. (1.3m-11.3m) MT1040/MT840: 4.3-36.8ft. (1.3m-11.2m)
Projection Angle	MT1045: TELE: 8.2-8.6 degree, WIDE: 9.8-10.5 degree MT1040/MT840: TELE: 8.3-8.6 degree, WIDE: 9.9-10.4 degree

Electrical

Inputs	VIDEO (NTSC, PAL, SECAM, NTSC4.43) S-Video, RGB, YCbCr Component (optional cable), HDTV, 1080i, 720p, 480p, 480i (optional cable) PC Card Viewer, USB mouse port
Synchronization Range	Horizontal - 15 to 100 kHz Vertical - 50 to 117 Hz
Color Reproduction	16.7 million colors simultaneously, full color
Horizontal Res.	NTSC/PAL/NTSC4.43/YCbCr - 550 TV lines SECAM - 350 TV lines RGB - MT1045/MT1040: 1024dots (H) x 768dots (V) MT840: 800dots (H) x 600dots (V)
External Control	RS232, IR (AMX/Creston compatibility)
Sync Compatibility	Separate Sync/Composite Sync/ Sync on G
Built-in Speakers	1Wx2
Power Requirements	100-120VAC/200-240VAC, 50/60Hz
Input Current	3.5A (100-120VAC) 1.7A (200-240VAC)
Power Consumption	MT1045/1040/840: 350W

Mechanical

Installation	Orientation: Floor/Front, Floor/Rear Ceiling/Front, Ceiling/Rear
Dimensions (include lens and feet)	MT1045: 15.1 x 11.4 x 4.9 inches 383 x 285 x 125 mm MT840/MT1040: 14.6 x 11.4 x 4.9 inches 371 x 285 x 125 mm



Environment	Operational Temp. 32° to 104°F / 0° to 40° C Humidity: 20-80% non-condensing Storage: 14° to 122° F / -10° to 50° C
Operational Fan Level	Less than 40 dB
Net Weight	MT1045: 12.8lb. (5.8Kg) MT840/MT1040: 12.3lb. (5.6Kg)
Regulations	USA UL1950 FCC Class A Canada CA950 (C-UL)
Accessories Included	Users manual, back lit wired/wireless addressable remote control with laser pointer, power cable, remote cable, signal cable, Mac pin adapter, quick connect guide, registration card, PC Card viewer software
Warranty	Projector: 2-year limited, parts and labor includes InstaCare 72-hour repair/return, 24-hour exchange Lamp: 6 months or rated lamp life

Product/Accessories

Order Code	Description
LCDMT1045	MT1045, XGA, 2000 ANSI projector
LCDMT1040	MT1040, XGA, 1300 ANSI projector
LCDMT840	MT840, SVGA, 1500 ANSI projector
MT40LP	Replacement lamp for MT840/1040/1045
MT10RL	1:1 Short throw lens, MT40 Series
MT13ZL	1.3-1.6:1 Short throw zoom lens, MT40 Series
MTCM	Ceiling mount kit MT40 Series
MTTC	Local transport/storage case w/wheels for MT40/MT30+/MT30 Series, MT600/800/810/820/1000/1020
MT40ATA	ATA shipping case for MT40 Series
MTRMT	Replacement remote for MT40 Series

MultiSync and InstaCare are registered trademarks, and Advanced AccuBlend, AutoSense, MT40, MT840, MT1040, MT1045, InstaCare Xpress, TravelCare and the NEC Technologies icon are trademarks of NEC Technologies, Inc. ©1999 NEC Technologies, Inc.

Visit our World Wide Web home page at www.nectech.com or visit <http://mt40.nectech.com>

NEC Technologies, Inc.
Visual Systems Division
1250 N. Arlington Hts. Road
Itasca, IL 60143

3/00, WEB

