
VT45 LCD Projector User's Manual

English 

IMPORTANT INFORMATION

Precautions

Please read this manual carefully before using your NEC VT45 Projector and keep the manual handy for future reference.

Your serial number is located under the name plate label on the right side of your VT45. Record it here:

CAUTION



To turn off main power, be sure to remove the plug from power outlet.

The power outlet socket should be installed as near to the equipment as possible, and should be easily accessible.

CAUTION



TO PREVENT SHOCK, DO NOT OPEN THE CABINET.

NO USER-SERVICEABLE PARTS INSIDE. REFER SERVICING TO QUALIFIED NEC SERVICE PERSONNEL.



This symbol warns the user that uninsulated voltage within the unit may be sufficient to cause electrical shock. Therefore, it is dangerous to make any kind of contact with any part inside of the unit.



This symbol alerts the user that important information concerning the operation and maintenance of this unit has been provided. The information should be read carefully to avoid problems.

WARNING

TO PREVENT FIRE OR SHOCK, DO NOT EXPOSE THIS UNIT TO RAIN OR MOISTURE.

DO NOT USE THIS UNIT'S GROUNDED PLUG WITH AN EXTENSION CORD OR IN AN OUTLET UNLESS ALL THREE PRONGS CAN BE FULLY INSERTED.

DO NOT OPEN THE CABINET. THERE ARE HIGH-VOLTAGE COMPONENTS INSIDE. ALL SERVICING MUST BE DONE BY QUALIFIED NEC SERVICE PERSONNEL.

DOC Compliance Notice

This Class B digital apparatus meets all requirements of the Canadian Interference-Causing Equipment Regulations.

3. GSGV Acoustic Noise Information Ordinance:

The sound pressure level is less than 70 dB (A) according to ISO 3744 or ISO 7779.

RF Interference

WARNING

The Federal Communications Commission does not allow any modifications or changes to the unit EXCEPT those specified by NEC Technologies in this manual. Failure to comply with this government regulation could void your right to operate this equipment.

This equipment has been tested and found to comply with the limits for a Class B digital device, pursuant to Part 15 of the FCC Rules. These limits are designed to provide reasonable protection against harmful interference in a residential installation. This equipment generates, uses, and can radiate radio frequency energy and, if not installed and used in accordance with the instructions, may cause harmful interference to radio communications. However, there is no guarantee that interference will not occur in a particular installation. If this equipment does cause harmful interference to radio or television reception, which can be determined by turning the equipment off and on, the user is encouraged to try to correct the interference by one or more of the following measures:

- Reorient or relocate the receiving antenna.
- Increase the separation between the equipment and receiver.
- Connect the equipment into an outlet on a circuit different from that to which the receiver is connected.
- Consult the dealer or an experienced radio / TV technician for help.

In UK, a BS approved power cable with moulded plug has a Black (five Amps) fuse installed for use with this equipment. If a power cable is not supplied with this equipment please contact your supplier.

- IBM is a registered trademark of International Business Machines Corporation.
- Macintosh and PowerBook are registered trademarks of Apple Computer, Inc.
- Other product and company names mentioned in this user's manual may be the trademarks of their respective holders.

Important Safeguards

These safety instructions are to ensure the long life of your projector and to prevent fire and shock. Please read them carefully and heed all warnings.

Installation

1. For best results, use your projector in a darkened room.
2. Place the projector on a flat, level surface in a dry area away from dust and moisture.
3. Do not place your projector in direct sunlight, near heaters or heat radiating appliances.
4. Exposure to direct sunlight, smoke or steam can harm internal components.
5. Handle your projector carefully. Dropping or jarring can damage internal components.
6. Do not place heavy objects on top of the projector.
7. If you wish to have the projector installed on the ceiling:
 - a. **Do not attempt to install the projector yourself.**
 - b. The projector must be installed by qualified technicians in order to ensure proper operation and reduce the risk of bodily injury.
 - c. In addition, the ceiling must be strong enough to support the projector and the installation must be in accordance with any local building codes.
 - d. Please consult your dealer for more information.

Power Supply

1. The projector is designed to operate on a power supply of 100-120 or 200-240 V 50/60 Hz AC. Ensure that your power supply fits this requirement before attempting to use your projector.
2. Handle the power cable carefully and avoid excessive bending. A damaged cord can cause electric shock or fire.
3. If the projector is not to be used for an extended period of time, disconnect the plug from the power outlet.

Cleaning

1. Unplug the projector before cleaning.
2. Clean the cabinet periodically with a damp cloth. If heavily soiled, use a mild detergent. Never use strong detergents or solvents such as alcohol or thinner.
3. Use a blower or lens paper to clean the lens, and be careful not to scratch or mar the lens.

CAUTION

Do not turn off the main power or unplug the power cable from the wall outlet under any one of the following circumstances. Doing so can cause damage to the projector:

- Immediately after the power cable is plugged into the wall outlet (when the POWER indicator has not changed to a steady orange glow).
- Immediately after the cooling fan stops working (The cooling fan continues to work for 60 seconds after the projector is turned off with the POWER button).

CAUTION

Avoid displaying stationary images for a prolonged period of time.

Doing so can result in these images being temporarily sustained on the surface of the LCD panel.

If this should happen, continue to use your projector. The static background from previous images will disappear.

Lamp Replacement

- To replace the lamp, follow all instructions provided on page E-36.
- Be sure to replace the lamp when the message "The lamp has reached the end of its usable life. Please replace the lamp." appears. If you continue to use the lamp after the lamp has reached the end of its usable life, the lamp bulb may shatter, and pieces of glass may be scattered in the lamp case. Do not touch them as the pieces of glass may cause injury. If this happens, contact your NEC dealer for lamp replacement.
- Allow a minimum of 60 seconds to elapse after turning off the projector. Then disconnect the power cable and allow 60 minutes to cool the projector before replacing the lamp.

Fire and Shock Precautions

1. Ensure that there is sufficient ventilation and that vents are unobstructed to prevent the build-up of heat inside your projector. Allow at least 3 inches (10 cm) of space between your projector and a wall.
 2. Prevent foreign objects such as paper clips and bits of paper from falling into your projector. Do not attempt to retrieve any objects that might fall into your projector. Do not insert any metal objects such as a wire or screwdriver into your projector. If something should fall into your projector, disconnect it immediately and have the object removed by a qualified NEC service personnel.
 3. Do not place any liquids on top of your projector.
- Do not look into the lens while the projector is on. Serious damage to your eyes could result.
 - Keep any items such as magnifying glass out of the light path of the projector. The light being projected from the lens is extensive, therefore any kind of abnormal objects that can redirect light coming out of the lens, can cause unpredictable outcome such as fire or injury to the eyes.
 - Do not cover the lens with the supplied lens cap or equivalent while the projector is on. Doing so can lead to melting of the cap and possibly burning your hands due to the heat emitted from the light output.

TABLE OF CONTENTS

1. INTRODUCTION

Introduction to the VT45 Projector	E-6
Getting Started	E-6
What's in the Box	E-7
Getting to Know Your VT45 Projector	E-8
Front / Side Features	E-8
Rear / Side Features	E-8
Bottom / Side Features	E-9
Top Features	E-10
Terminal Panel Features	E-11
Remote Control Features	E-12
Operating Range	E-13
Remote Control Battery Installation	E-13

2. INSTALLATION

Setting Up Your Projector	E-14
Selecting a Location	E-14
Using a Tabletop or Cart	E-14
Using the Lens Shift	E-14
Distance Chart	E-15
Ceiling Installation	E-16
Reflecting the Image	E-16
Wiring Diagram	E-17
Connecting Your PC	E-18
Connecting Your Macintosh Computer	E-19
Connecting an External Monitor	E-20
Connecting Your DVD Player	E-21
Connecting Your VCR or Laser Disc Player	E-22

3. OPERATION

General Controls	E-23
About Startup Screen	E-24
Enlarging and Moving a Picture	E-25
Geometrical correction	E-25
Using the Menus	E-26
Menu Tree	E-27
Menu Elements	E-28
Menu Descriptions & Functions	E-29
Source Select	E-29
RGB/Video/S-Video	
Picture	E-29
Brightness/Contrast/Color/Hue/Sharpness	
Volume	E-29
Image Options	E-29
Keystone	E-29
Lamp Mode	E-30
Advanced Options	E-30
Aspect Ratio	E-30
Position/Clock	E-31
Resolution	E-31
Video Filter	E-31
Factory Default	E-31
Color Management	E-32
Gamma Correction	E-32
Color Correction	E-32
User Adjust	E-32
White Balance	E-32

Projector Options	E-32
Menu	E-32
Menu Mode	E-32
Basic/Advanced	E-32
Language	E-32
Source Display	E-32
No Input Display	E-33
Volume Bar (Direct Button)	E-33
Keystone Bar (Option)	E-33
Filter Clean Message	E-33
Menu Display Time	E-33
Setup	E-33
Orientation	E-33
Cinema Position	E-33
Background	E-33
Signal Select	E-33
Auto Adjust	E-34
Auto Start	E-34
Power Management	E-34
Power Off Confirmation	E-34
Keystone Save	E-34
Fan High Speed Mode	E-34
Default Source Select	E-34
Communication Speed	E-34
Control Panel Key Lock	E-34
Clear Lamp Hour Meter	E-35
Clear Filter Usage	E-35
Information	E-35

4. MAINTENANCE

Replacing the Lamp	E-36
Cleaning or Replacing the Filters	E-37

5. TROUBLESHOOTING

Power / Status Light Messages	E-38
Common Problems & Solutions	E-38

6. SPECIFICATIONS

Optical/Electrical/Mechanical	E-39
Cabinet Dimensions	E-40
D-Sub Pin Assignments	E-41
Timing Chart	E-42
PC Control Codes	E-43
Cable Connection	E-43

1. INTRODUCTION

Introduction to the VT45 Projector

This section introduces you to your new VT45 (SVGA) Projector and describes the features and controls.

Congratulations on Your Purchase of The VT45 Projector

The VT45 is one of the very best projectors available today. The VT45 enables you to project precise images up to 300 inches across (measured diagonally) from your PC or Macintosh computer (desktop or notebook), VCR, DVD player, document camera, or even a laser disc player.

You can use the projector on a tabletop or cart, you can use the projector to project images from behind the screen, and the projector can be permanently mounted on a ceiling*1. The remote control can be used wirelessly.

Features you'll enjoy:

- Simple set up and operation.
- Eco Mode, two selectable options (120 watt for Eco 1 and 110 watt for Eco 2) that allow users to reduce the projector's light output, resulting in a doubling (Eco 2) of usable lamp life and decreased lamp replacement costs throughout the projector's life.
- A high-performance 130 watt NSH lamp.
- Manual horizontal (max 1/3 of width) and vertical (max 1/2 of height) lens shift provides simple imaging positioning.
- The lamp life can be extended up to 2000 hours by using the Eco 2 mode.
- The supplied wireless remote control that operates the projector from the front side or rear.
- Manual zoom control enables you to adjust the image between 25 (0.63 m) and 300 inches (7.6 m) (measured diagonally).
- Keystone correction allows you to correct trapezoidal distortion so that the image is square.
- Color Management feature includes Gamma Correction, White Balance, and Color Correction that provides natural and true color reproduction.
- You can choose between video modes depending on your source: "normal" for a typical picture, "natural" for true color reproduction.
- An image can be projected from in front or behind a screen, and the projector can even be installed on the ceiling.
- NEC Technologies' exclusive Advanced AccuBlend intelligent pixel blending technology - an extremely accurate image compression technology - offers a crisp image with SXGA (1280 × 1024) resolution*2.
- Supports most IBM VGA, SVGA, XGA*2, SXGA*2, Macintosh, component signal (YCbCr/YPbPr) or any other RGB signals within a horizontal frequency range of 15 to 100 kHz and a vertical frequency range of 50 to 120 Hz. This includes NTSC, PAL, PAL-M, PAL-N, PAL60, SECAM and NTSC4.43 standard video signals.

NOTE: Composite video standards are as follows:

NTSC: U.S. TV standard for video in U.S. and Canada.

PAL: TV standard used in Western Europe.

PAL-M: TV standard used in Brazil.

PAL-N: TV standard used in Argentina, Paraguay and Uruguay.

PAL60: TV standard used for NTSC playback on PAL TVs.

SECAM: TV standard used in France and Eastern Europe.

NTSC4.43: TV standard used in Middle East countries.

- The supplied remote control can be used without a cable.
- You can control the projector with a PC using the PC Control port.
- The contemporary cabinet design is light, compact, easy to carry, and complements any office, boardroom or auditorium.

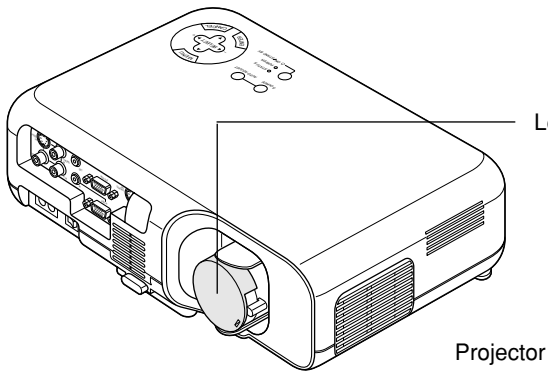
- *1 **Do not attempt to mount the projector on a ceiling yourself.** The projector must be installed by qualified technicians in order to ensure proper operation and reduce the risk of bodily injury. In addition, the ceiling must be strong enough to support the projector and the installation must be in accordance with any local building codes. Please consult your dealer for more information.
- *2 An XGA image (1024 × 768) and SXGA image (1280 × 1024) are converted into an 800 × 600 crisp image with NEC technology's Advanced AccuBlend.

Getting Started

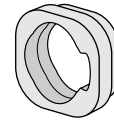
The fastest way to get started is to take your time and do everything right the first time. Take a few minutes now to review the user's manual. This may save you time later on. At the beginning of each section of the manual you'll find an overview. If the section doesn't apply, you can skip it.

What's in the Box?

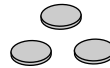
Make sure your box contains everything listed. If any pieces are missing, contact your dealer.
Please save the original box and packing materials if you ever need to ship your VT45 Projector.



Lens cap



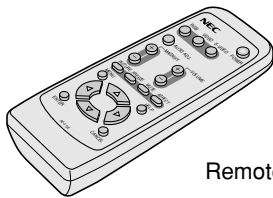
Protective lens pad



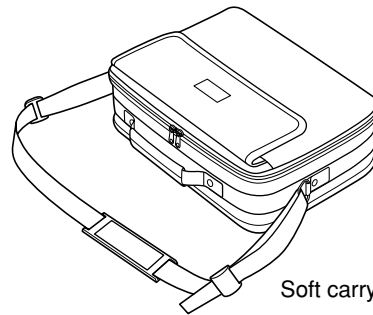
Non-slip rubber pad

They can be applied to the projector cabinet when the projector is positioned upside down in a place such as a tall cabinet.

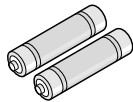
Stick the three small non-slip rubber pads on the projector top cabinet to avoid accidental button operation when the projector is turned upside down.



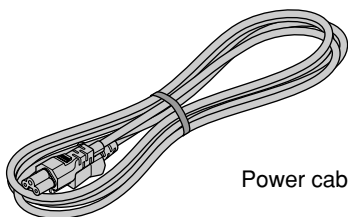
Remote control



Soft carrying case



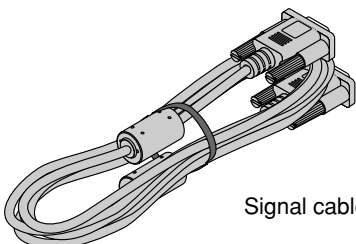
Batteries



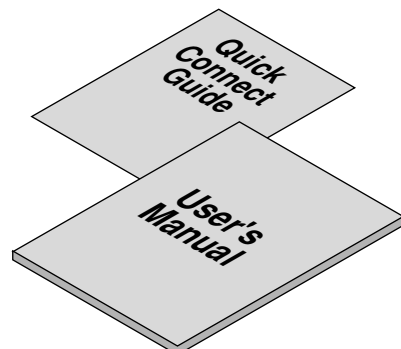
Power cable



String and rivet



Signal cable

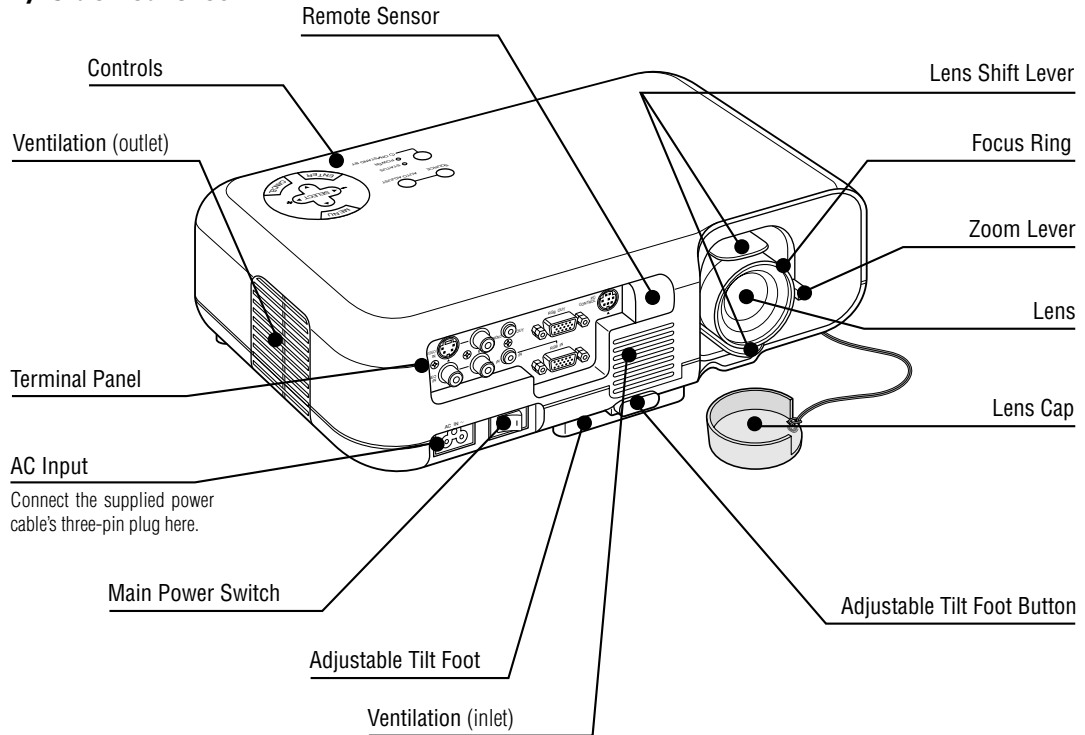


Quick
Connect
Guide

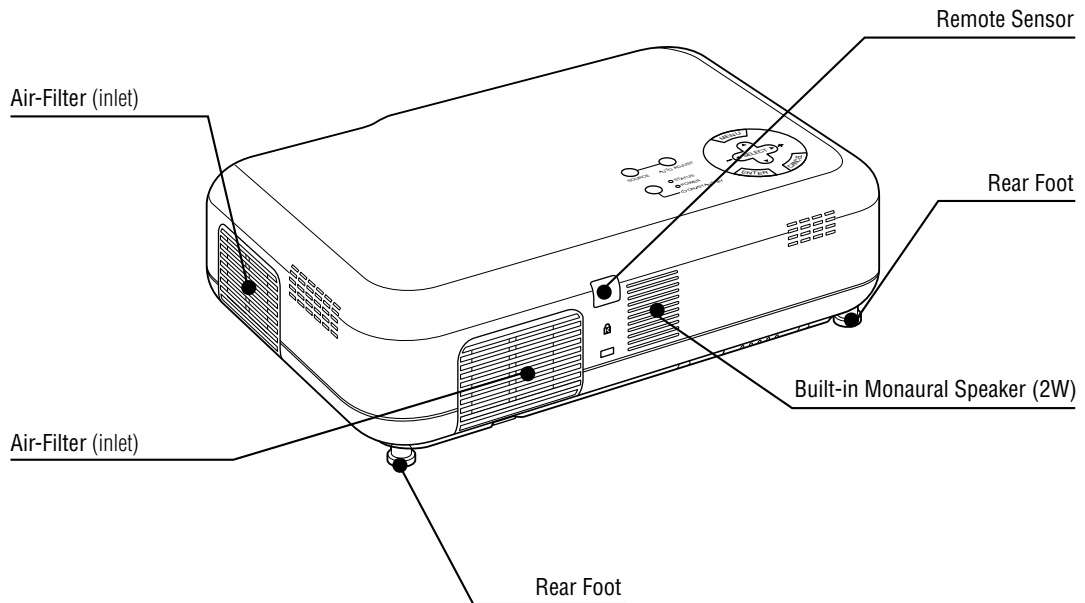
User's
Manual

Getting to Know Your VT45 Projector

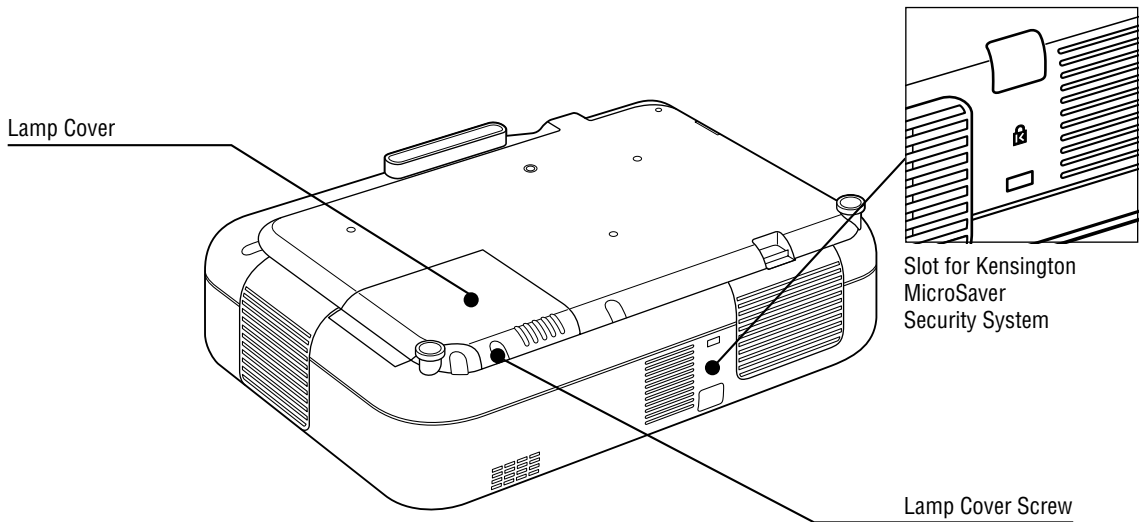
Front / Side Features




Rear / Side Features



Bottom / Side Features



NOTE: Built-in Security Slot ()
This security slot supports the MicroSaver® Security System. MicroSaver® is a registered trademark of Kensington Microwave Inc. The logo is trademarked and owned by Kensington Microwave Inc.

NOTE: When moving the projector or when it is not in use, cover the lens with the lens cap.

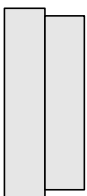
Using the protective lens pad

To protect the Lens Shift mechanism, a hard polyurethane protective lens pad is attached to the lens.

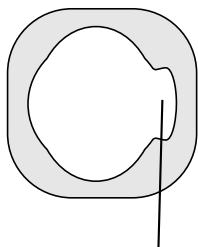
Before using the projector, remove the protective lens pad. After use, reattach the protective lens pad.

NOTE: Before reattaching the protective lens pad, be sure to use the shift lever to move the lens to the center position.

Side view



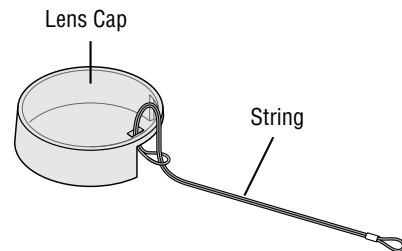
Front view



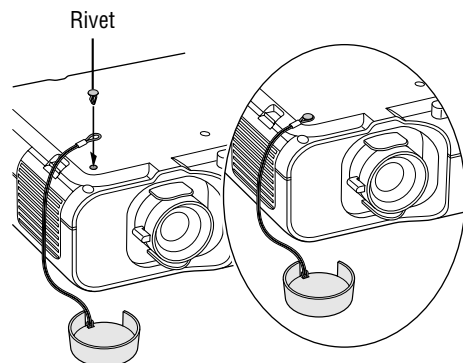
Notch for zoom lever

Attaching the lens cap to the bottom with the supplied string and rivet

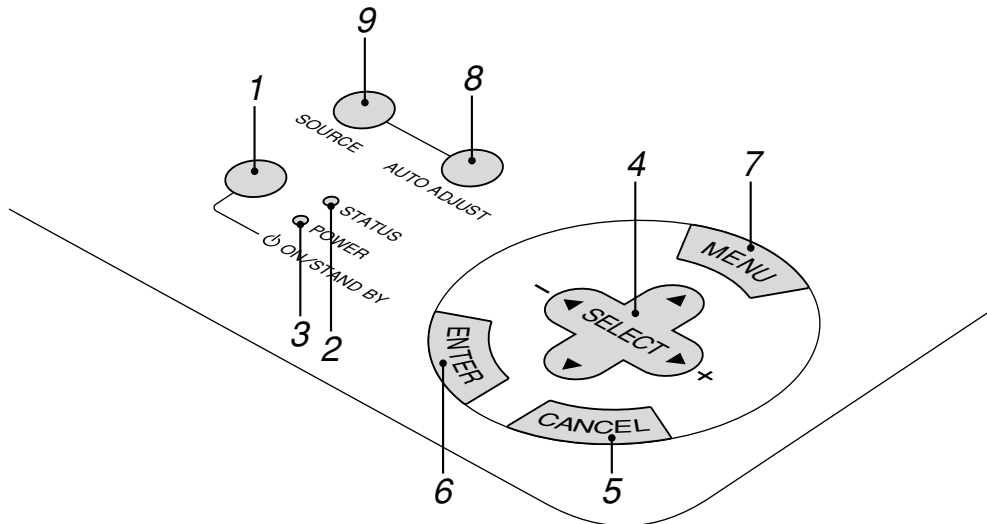
1. Thread the string through the hole on the lens cap and then tie a knot in the string.



2. Use the rivet to attach the string to the bottom.



Top Features



1. Power Button (ON / STAND BY) (⏻)

Use this button to turn the power on and off when the power is supplied and the projector is in standby mode.

NOTE: To turn off the projector, press and hold this button for minimum of two seconds.

2. Status Indicator

When this is lit red continually, it's warning you that the projection lamp has exceeded 1000 hours (up to 2000 hours in Eco 2 mode and 1500 hours in Eco 1 mode) of service. After this light appears, it is advisable to replace the projection lamp as soon as possible. (See page E-36). In addition the message "The lamp has reached the end of its usable life. Please replace the lamp." appears each time the projector is turned on until the lamp is replaced.

If this light blinks red rapidly, it indicates that the lamp cover or filter cover is not attached properly or the projector is overheated. See the Power / Status Light Messages on page E-38 for more details.

3. Power Indicator

When this indicator is green, the projector is on; when the indicator is orange, it is in standby mode.

4. Select (▲▼◀▶) / (+) (-) Buttons

▲▼: Use these buttons to select the menu of the item you wish to adjust.

◀▶: Use these buttons to change the level of a selected menu item.

When an image is magnified, these buttons can be used to move the image on screen.

5. Cancel Button

Press this button to exit the menu. While you are in the adjustment or setting menu, pressing this button will return to the previous menu.

6. Enter Button

Executes your menu selection and activates items selected from the menu.

7. Menu Button

Displays the menu.

8. Auto Adjust Button

Use this button to adjust Position-H/V and Pixel Clock/Phase for an optimal picture. Some signals may not be displayed correctly or take time to switch between sources.

9. Source Button

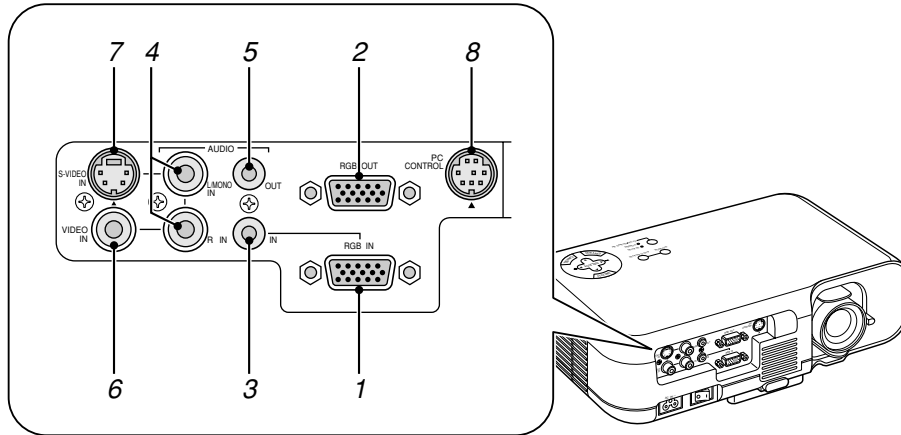
Use this button to select a video source such as a PC, VCR or DVD player.

Each time this button is pressed, the input source will change as follows:

→ RGB → Video → S-Video → RGB ...

If no input signal is present, the input will be skipped.

Terminal Panel Features



1. RGB Input Connector (Mini D-Sub 15 pin)

Connect your PC or other RGB equipment. Use the supplied signal cable to connect to a PC.

2. RGB Monitor Output Connector (Mini D-Sub 15 pin)

You can use this connector to loop your computer image to an external monitor from the RGB input source.

3. Audio Input (Mini Jack)

This is where you connect audio output from your computer.

4. Audio Input (RCA)

This is where you connect audio output from a VCR, DVD player, or laser disc player.

5. Audio Output (Mini Jack)

Connect audio equipment to this jack. Note that this cannot be used as a headphone jack.

(When audio equipment is connected, the projector speaker is disabled.)

When a cable mini-plug is inserted into this jack, both the right and left audio signals are not mixed, but separate.

For example, when a cable mini-plug is inserted into the left AUDIO IN jack only, only left sound is output.

NOTE1: ON AUDIO IN/OUT

The audio input (mini jack) 3 is available for RGB source only. The audio input (RCA) 4 is available for Video or S-Video source only.

The audio output (mini jack) 5 operates when audio source 3 or 4 is selected.

NOTE2: During Stand by Condition

RGB signal will be sent to the connected external monitor. Audio signal will not be sent to the audio output.

6. Video Input (RCA)

Connect a VCR, DVD player, laser disc player, or document camera here to project video.

7. S-Video Input Port (Mini DIN 4 Pin)

Connect the S-Video input from an external source like a VCR.

8. PC Control Port (Mini DIN 8 Pin)

Use this port to connect your PC to control your projector. This enables you to use your PC and serial communication protocol to control the projector. If you are writing your own program, typical PC control codes are on page E-43.

Remote Control Features

1. Infrared Transmitter

Direct the remote control toward the remote sensor on the projector cabinet.

2. Power Button

If power is applied, you can use this button to turn your projector on and off.

NOTE: To turn off the projector, press and hold the POWER button for a minimum of two seconds.

3. Source Buttons

Press to select a video source.

4. Auto Adjust Button

Use this button to adjust Position-H/V and Pixel Clock/Phase for an optimal picture. Some signals may not be displayed correctly, or in some cases it may take some time for a source to switch between sources.

5. Magnify Buttons

Use the (+) or (-) button to adjust the image size up to 400%.

6. Volume Buttons

Press (+) to increase the volume and (-) to decrease it.

7. Picture Button

Press this button to display the Picture adjustment window. Each time this button is pressed, the current picture adjustment item will change as follows:
Brightness → Contrast → Color → Hue → Sharpness
Unavailable items will be skipped.

8. Freeze Button

This button will freeze a picture. Press again to resume motion.

9. Mute Button

This button turns off the image and sound for a short period of time. Press again to restore the image and sound.

10. Aspect Button

Press this button to display the Aspect Ratio select window. Each time this button is pressed, the current aspect ratio will change as follows:
Normal → Zoom → Wide Zoom → Cinema → Normal → ...
You can also select the aspect ratio by using the Select ◀ or ▶ button. If no adjustments are performed within 3 seconds, the Aspect Ratio select window will disappear. (See also page E-30.)

11. Menu Button

Displays the menu.

12. Help Button

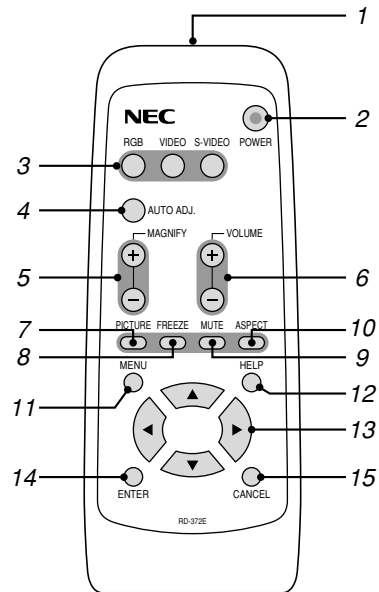
Provides information about the current signal and the status of the projector.

13. Select (▲▼◀▶) Buttons

▲▼: Use these buttons to select the menu of the item you wish to adjust.

◀▶: Use these buttons to change the level of a selected menu item.

Remote Control



14. Enter Button

Executes your menu selection and activates items selected from the menu.

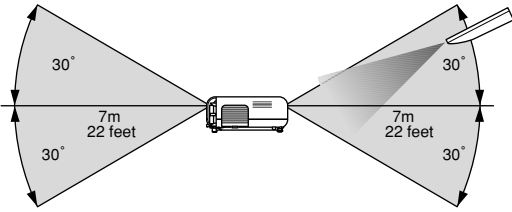
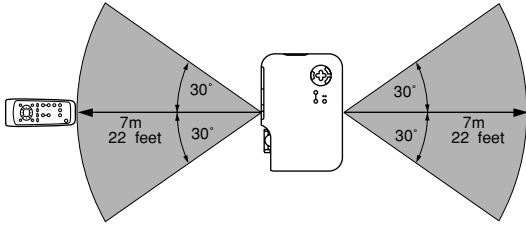
15. Cancel Button

Press this button to exit the menu. While you are in the adjustment or setting menu, pressing this button will return to the previous menu.

Remote Control Precautions

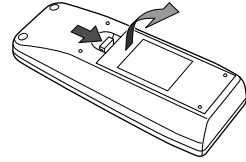
- Handle the remote control carefully.
- If the remote control gets wet, wipe it dry immediately.
- Avoid excessive heat and humidity.
- If you will not be using the remote control for a long time, remove the batteries.

Operating Range

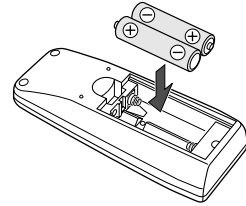


Remote Control Battery Installation

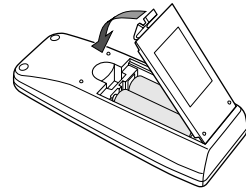
1. Push to open the battery cover.



2. Remove both old batteries and install new ones (AA). Ensure that you have the batteries' polarity (+/-) aligned correctly.



3. Put the battery cover back on.



Do not mix different types of batteries or new and old batteries.

2. INSTALLATION

This section describes how to set up your VT45 projector and how to connect video and audio sources.

Setting up Your Projector

Your VT45 Projector is simple to set up and use. But before you get started, you must first:

1. Determine the image size.
2. Set up a screen or select a non-glossy white wall onto which you can project your image.

Ensure that the power cable and any other cables connecting to video sources are disconnected before moving the projector. When moving the projector or when it is not in use, cover the lens with the lens cap.

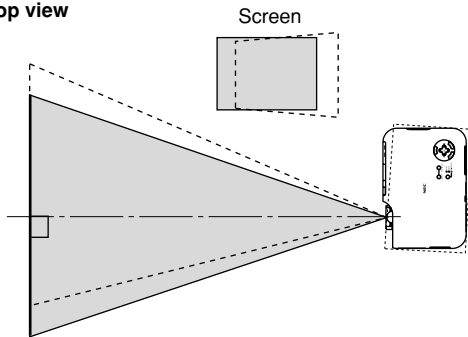
Selecting a Location

The further your projector is from the screen or wall, the larger the image. The minimum size the image can be is approximately 25" (0.64 m) measured diagonally when the projector is roughly 3 feet (1.0 m) from the wall or screen. The largest the image can be is 300" (7.6 m) when the projector is about 39.3 feet (12.0 m) from the wall or screen.

Using a Tabletop or Cart

1. Place your projector on a flat level surface at the optimal distance from the screen or wall so you realize the size image you want. (Avoid having bright room lighting or sun light directly on the screen or wall where you'll be projecting the image.)
2. Connect the power cable, remove the lens cap and turn the projector on. (If no input signal is available, the projector will display a background image.)
3. Ensure that the projector is square to the screen.

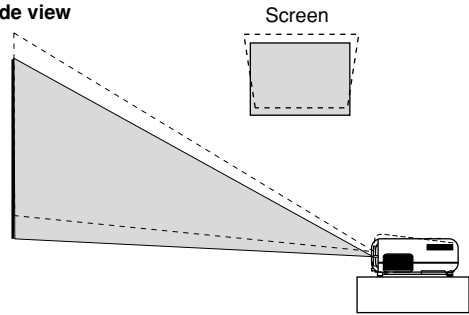
Top view



4. Move the projector left or right to center the image horizontally on the screen.

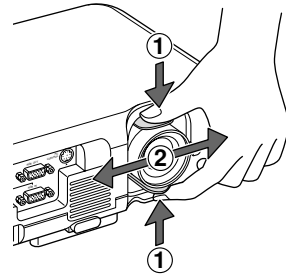
5. To center the image vertically, lift the front edge of the projector and press the One-Touch Tilt button on the front side of the projector to release the Front Adjustable foot.

Side view



(There is approximately 10 degrees of up and down adjustment for the front of the projector.)

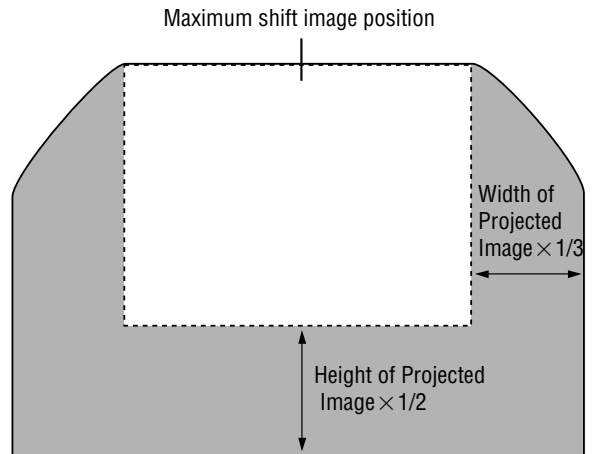
Using the Lens Shift



1. Grip the lens shift lever on the top and bottom.
2. Hold the lever to move the lens vertically or horizontally.

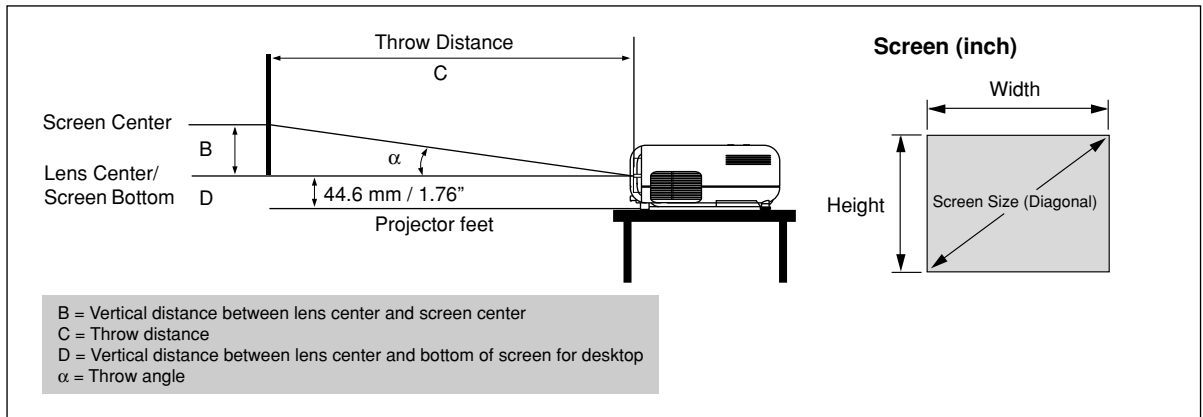
NOTE: It may not be possible to obtain maximum shift range due to the rounded off area near the edge of the lens. The amount of lens shift adjustable range depends on the direction that the lens is shifted. See diagram below.

Lens Shift Adjustable Range



Adjustable Range

Distance Chart

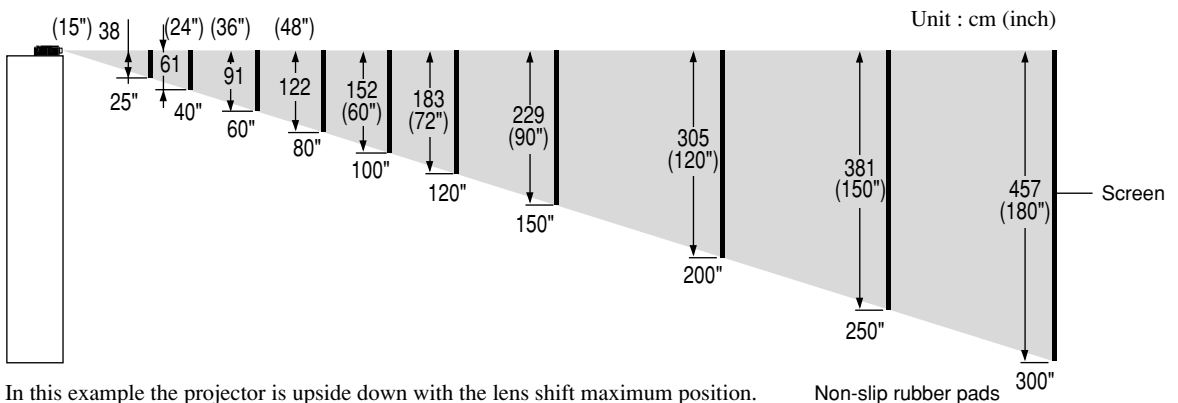


Lens Offset 5.4mm

Diagonal		Screen Size				B		C				D		α			
		Width		Height				wide		tele				degree			
inch	mm	inch	mm	inch	mm	inch	mm	inch	mm	-	inch	mm	inch	mm	wide	tele	
25	635	20	508	15	381	8	191	36	910	-	39	1000	0	0	11.8	-	10.8
30	762	24	610	18	457	9	229	43	1100	-	48	1210	0	0	11.7	-	10.7
40	1016	32	813	24	610	12	305	58	1470	-	64	1620	0	0	11.7	-	10.7
60	1524	48	1219	36	914	18	457	87	2220	-	96	2450	0	0	11.6	-	10.6
67	1702	54	1361	40	1021	20	511	98	2490	-	108	2740	0	0	11.6	-	10.6
72	1829	58	1463	43	1097	22	549	105	2670	-	116	2940	0	0	11.6	-	10.6
80	2032	64	1626	48	1219	24	610	117	2970	-	129	3270	0	0	11.6	-	10.6
84	2134	67	1707	50	1280	25	640	123	3120	-	135	3440	0	0	11.6	-	10.5
90	2286	72	1829	54	1372	27	686	132	3350	-	145	3690	0	0	11.6	-	10.5
100	2540	80	2032	60	1524	30	762	147	3730	-	161	4100	0	0	11.5	-	10.5
120	3048	96	2438	72	1829	36	914	176	4480	-	194	4930	0	0	11.5	-	10.5
150	3810	120	3048	90	2286	45	1143	220	5600	-	243	6170	0	0	11.5	-	10.5
180	4572	144	3658	108	2743	54	1372	265	6730	-	292	7410	0	0	11.5	-	10.5
200	5080	160	4064	120	3048	60	1524	294	7480	-	324	8240	0	0	11.5	-	10.5
210	5334	168	4267	126	3200	63	1600	309	7860	-	341	8650	0	0	11.5	-	10.5
240	6096	192	4877	144	3658	72	1829	354	8980	-	389	9890	0	0	11.5	-	10.5
261	6629	209	5304	157	3978	78	1989	385	9770	-	424	10760	0	0	11.5	-	10.5
270	6858	216	5486	162	4115	81	2057	398	10110	-	438	11130	0	0	11.5	-	10.5
300	7620	240	6096	180	4572	90	2286	443	11240	-	487	12370	0	0	11.5	-	10.5

B = Vertical distance between lens center and screen center
C = Throw distance
D = Vertical distance between lens center and bottom of screen for desktop
 α = Throw angle

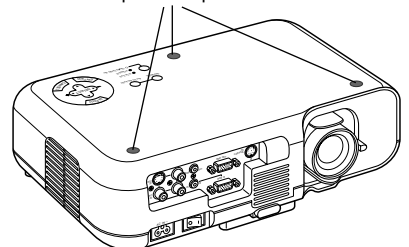
NOTE: Distances may vary +/-5%.



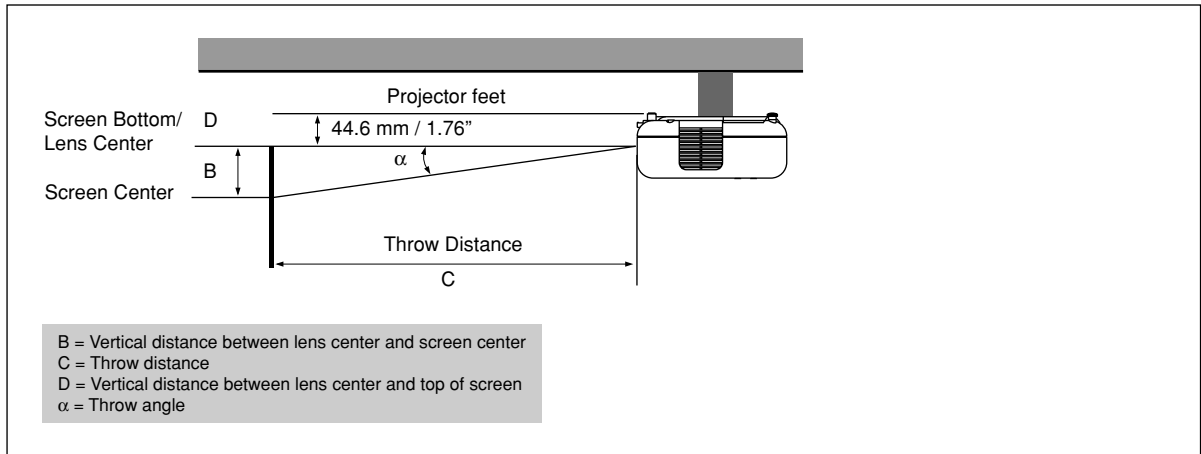
In this example the projector is upside down with the lens shift maximum position.

When the projector is positioned upside down in a place such as a tall cabinet or shelf, follow the below.

- Place the projector on a flat and level surface.
- To avoid accidental button operation, stick the supplied three non-slip rubber pads on three locations on the projector top cabinet as shown in the drawing. They are a peel-and-sticker pad. Before use, peel the paper off the back of the rubber pad.



Ceiling Installation



Lens Offset 5.4mm

Screen Size			B		C				D		α						
Diagonal		Width		Height		wide		tele		D		wide	-	tele			
inch	mm	inch	mm	inch	mm	inch	mm	-	inch	mm	inch	mm	degree	-	degree		
25	635	20	508	15	381	8	191	36	910	-	39	1000	0	0	11.8	-	10.8
30	762	24	610	18	457	9	229	43	1100	-	48	1210	0	0	11.7	-	10.7
40	1016	32	813	24	610	12	305	58	1470	-	64	1620	0	0	11.7	-	10.7
60	1524	48	1219	36	914	18	457	87	2220	-	96	2450	0	0	11.6	-	10.6
67	1702	54	1361	40	1021	20	511	98	2490	-	108	2740	0	0	11.6	-	10.6
72	1829	58	1463	43	1097	22	549	105	2670	-	116	2940	0	0	11.6	-	10.6
80	2032	64	1626	48	1219	24	610	117	2970	-	129	3270	0	0	11.6	-	10.6
84	2134	67	1707	50	1280	25	640	123	3120	-	135	3440	0	0	11.6	-	10.5
90	2286	72	1829	54	1372	27	686	132	3350	-	145	3690	0	0	11.6	-	10.5
100	2540	80	2032	60	1524	30	762	147	3730	-	161	4100	0	0	11.5	-	10.5
120	3048	96	2438	72	1829	36	914	176	4480	-	194	4930	0	0	11.5	-	10.5
150	3810	120	3048	90	2286	45	1143	220	5600	-	243	6170	0	0	11.5	-	10.5
180	4572	144	3658	108	2743	54	1372	265	6730	-	292	7410	0	0	11.5	-	10.5
200	5080	160	4064	120	3048	60	1524	294	7480	-	324	8240	0	0	11.5	-	10.5
210	5334	168	4267	126	3200	63	1600	309	7860	-	341	8650	0	0	11.5	-	10.5
240	6096	192	4877	144	3658	72	1829	354	8980	-	389	9890	0	0	11.5	-	10.5
261	6629	209	5304	157	3978	78	1989	385	9770	-	424	10760	0	0	11.5	-	10.5
270	6858	216	5486	162	4115	81	2057	398	10110	-	438	11130	0	0	11.5	-	10.5
300	7620	240	6096	180	4572	90	2286	443	11240	-	487	12370	0	0	11.5	-	10.5

B = Vertical distance between lens center and screen center
 C = Throw distance
 D = Vertical distance between lens center and top of screen
 α = Throw angle

WARNING

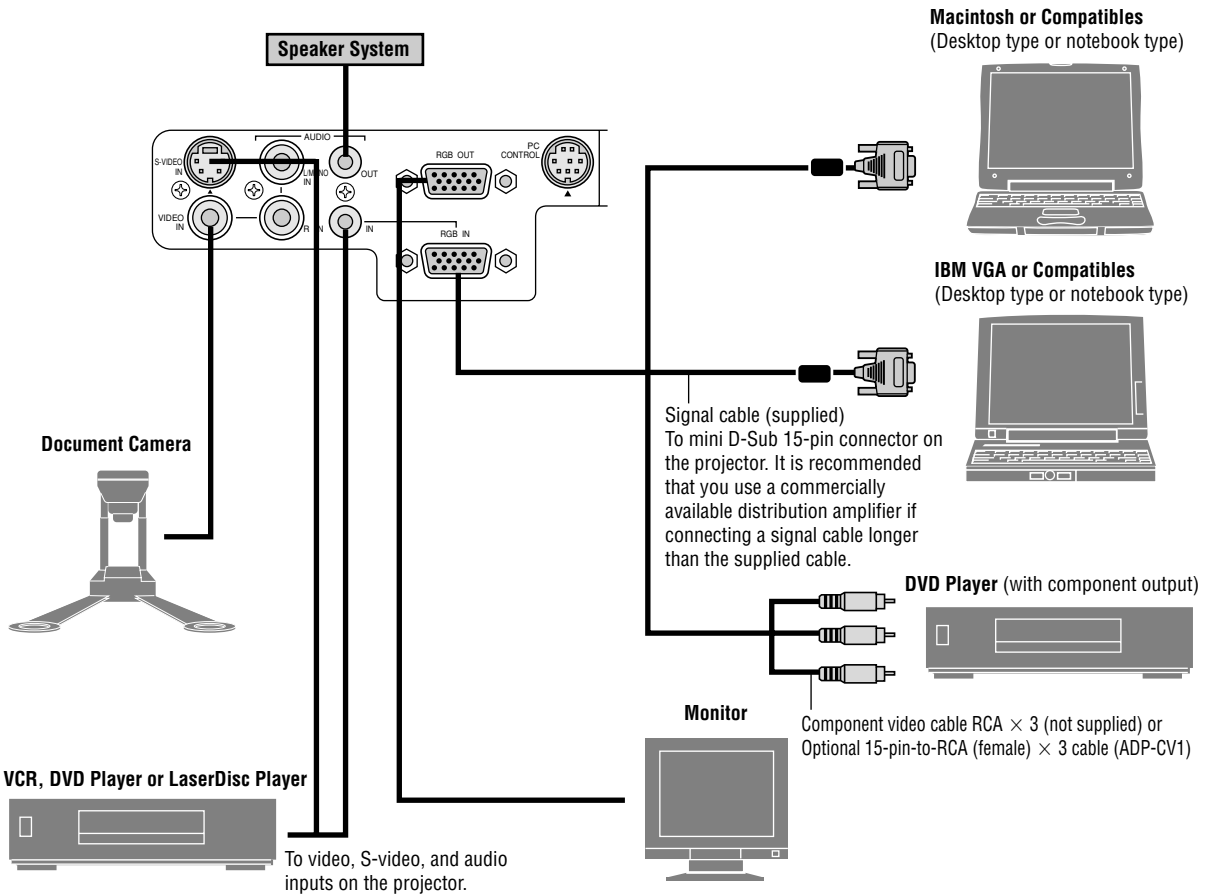
- Installing your projector on the ceiling must be done by a qualified technician. Contact your NEC dealer for more information.
- * Do not attempt to install the projector yourself.
- Only use your projector on a solid, level surface. If the projector falls to the ground, you can be injured and the projector severely damaged.
- Do not use the projector where temperatures vary greatly. The projector must be used at temperatures between 32°F (0°C) and 95°F (35°C).
- Do not expose the projector to moisture, dust, or smoke. This will harm the screen image.
- Ensure that you have adequate ventilation around your projector so heat can dissipate. Do not cover the vents on the side or the front of the projector.

If your projector is mounted on the ceiling and your image is upside down, use the “Menu” and “Select” buttons on your projector cabinet or ▲▼ buttons on your remote control to correct the orientation. (See page E-33.)

Reflecting the Image

Using a mirror to reflect your projector’s image enables you to enjoy a much larger image. Contact your NEC dealer if you need a mirror. If you’re using a mirror and your image is inverted, use the “Menu” and “Select” buttons on your projector cabinet or ▲▼ buttons on your remote control to correct the orientation. (See page E-33.)

Wiring Diagram



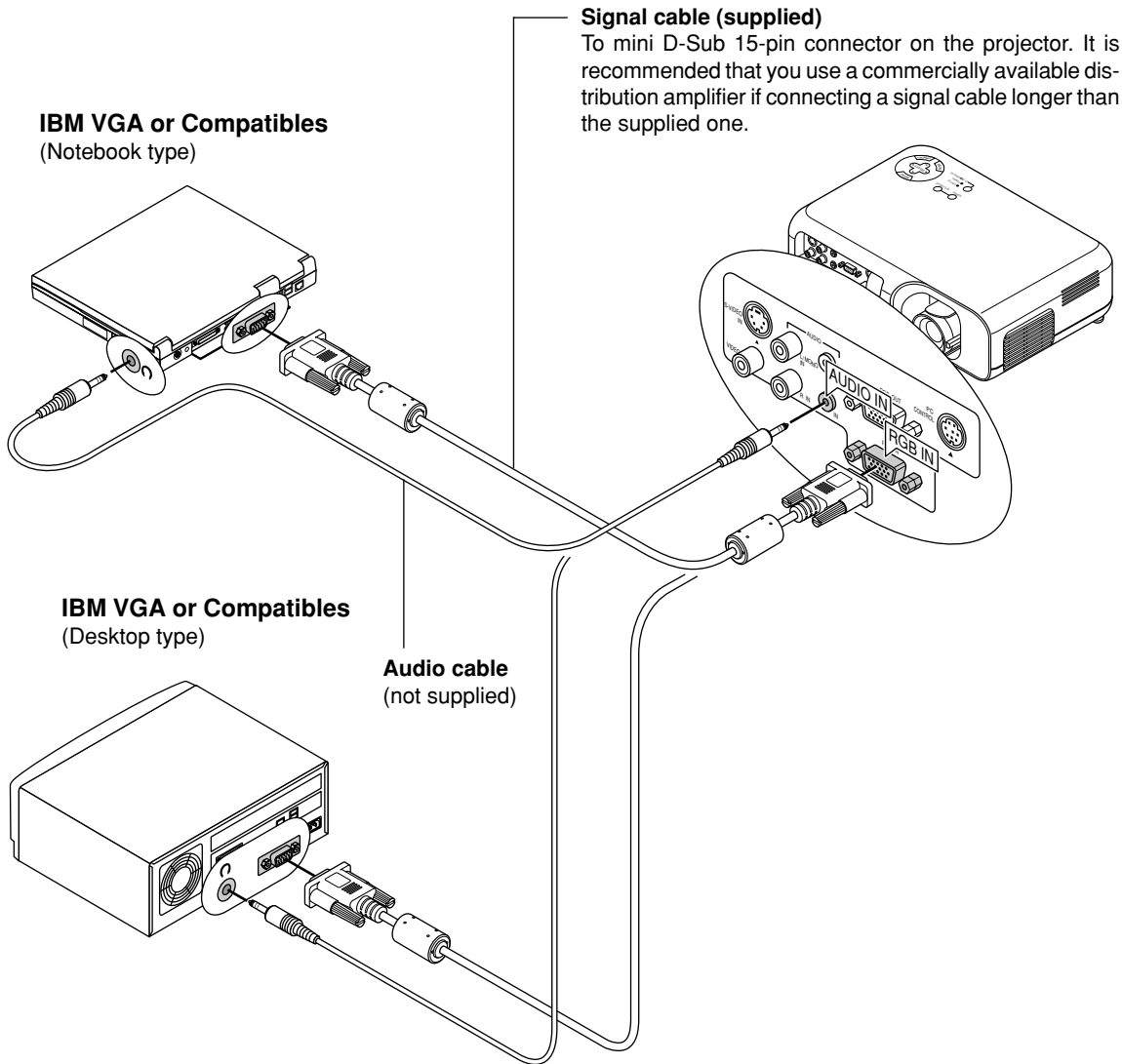
NOTE: When using with a notebook PC, be sure to connect between the projector and the notebook PC before turning on the power to the notebook PC. In most cases signal cannot be output from RGB output unless the notebook PC is turned on after connecting with the projector.

NOTE:

- * If the screen goes blank while using your remote control, it may be the result of the computer's screen-saver or power management software.
- * If you accidentally hit the POWER button on the remote control, wait 60 seconds and then press the POWER button again to resume.

NOTE: If using video, S-video, or audio cables, the cables should be 3 m (9.8 feet) or shorter.

Connecting Your PC

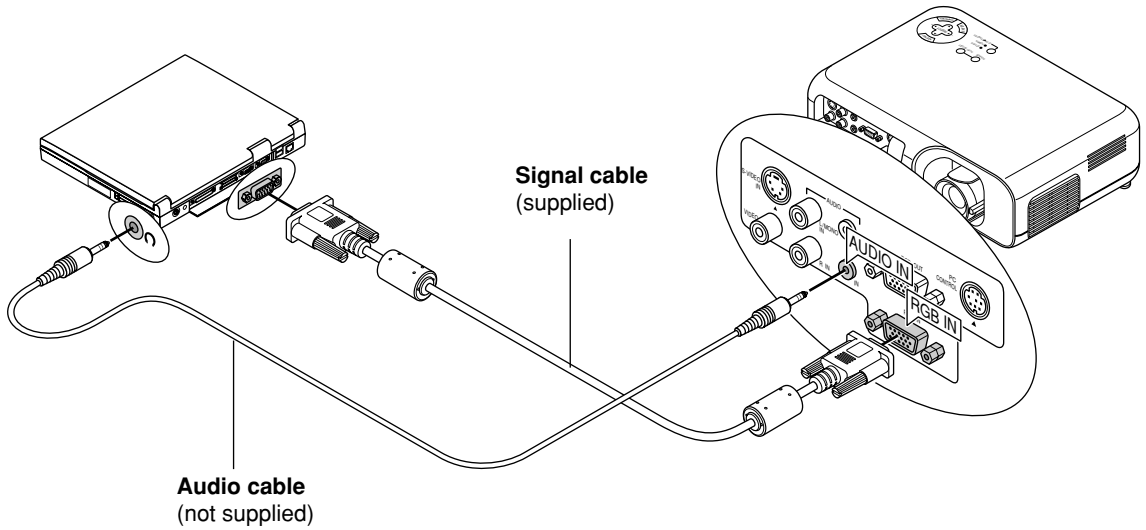


Connecting your PC to your VT45 projector will enable you to project your computer's screen image for an impressive presentation. To connect to a PC, simply:

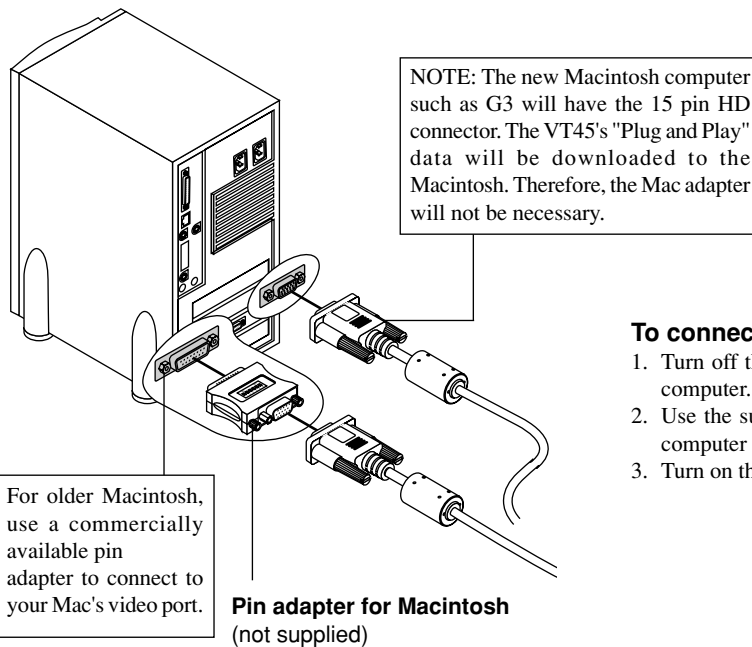
1. Turn off the power to your projector and computer.
2. Use the supplied signal cable to connect your PC to the projector.
3. Turn on the projector and the computer.
4. If the projector goes blank after a period of inactivity, it may be caused by a screen saver installed on the computer you've connected to the projector.

Connecting Your Macintosh Computer

Macintosh (Notebook type)



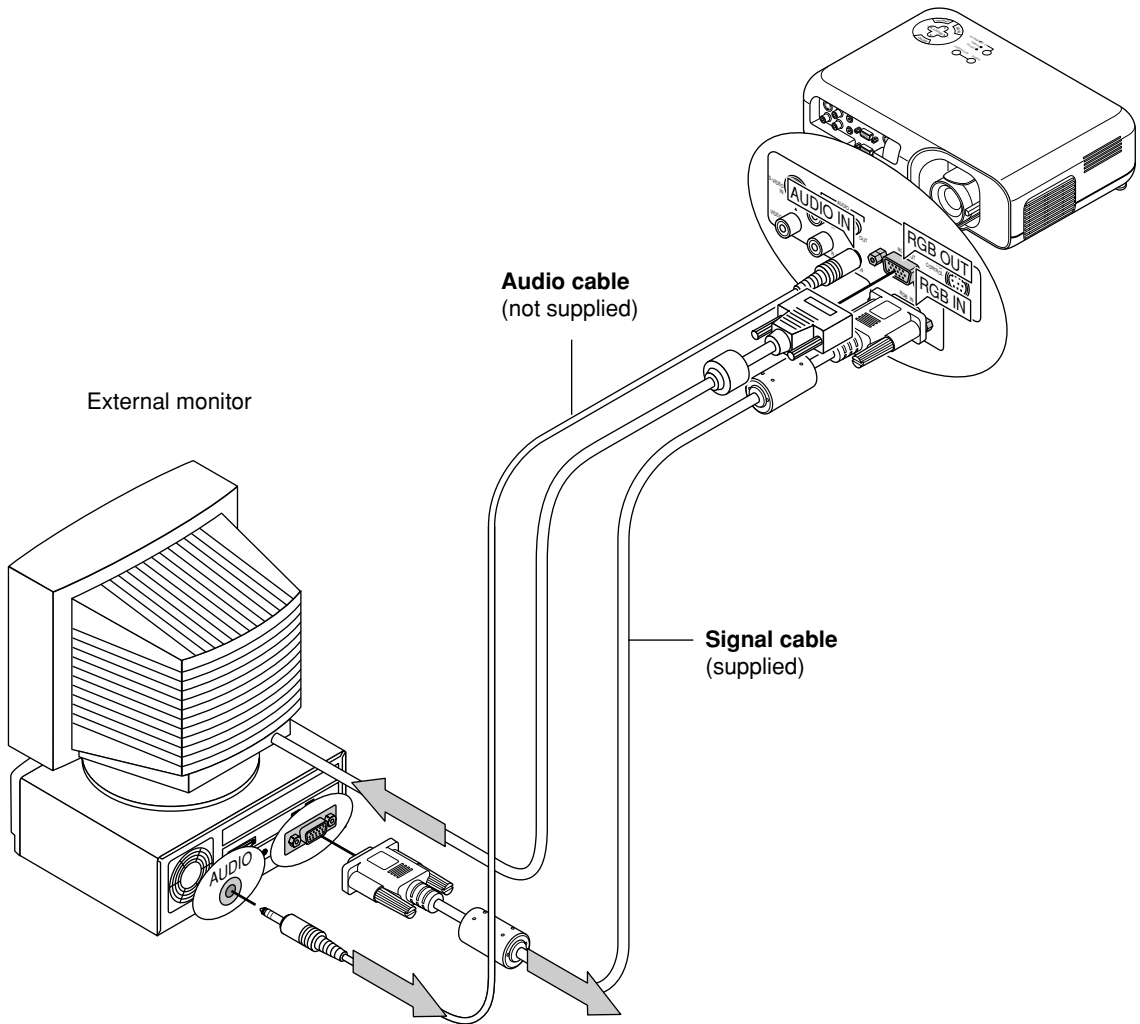
Macintosh (Desktop type)



To connect to a Macintosh, simply:

1. Turn off the power to your projector and your Macintosh computer.
2. Use the supplied signal cable to connect your Macintosh computer to the projector.
3. Turn on the projector and the Macintosh computer.

Connecting an External Monitor

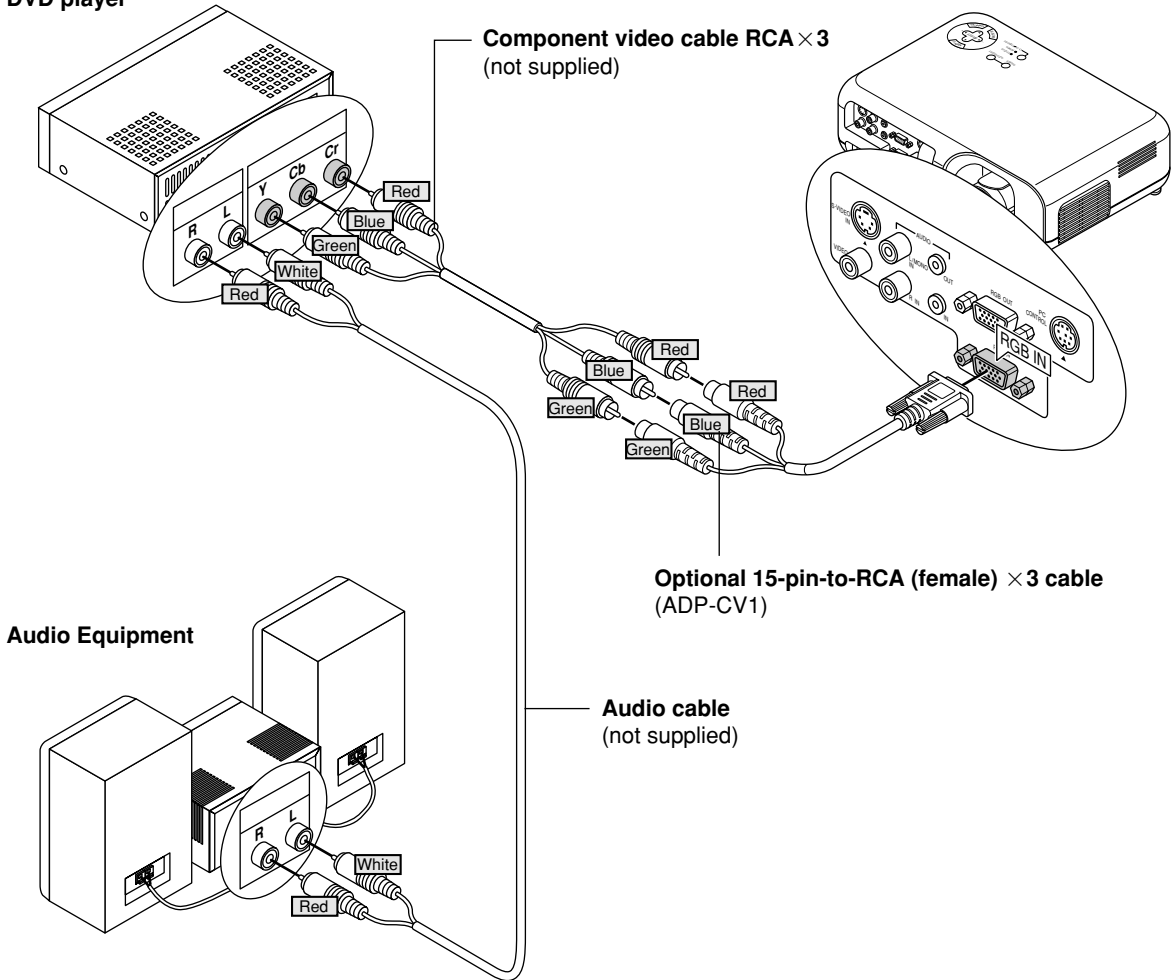


- You can connect a separate, external monitor to your VT45 to simultaneously view on a monitor the image you're projecting. To do so:
1. Turn off the power to your projector, monitor and computer.
 2. Use a 15-pin cable to connect your monitor to the RGB Monitor Output (Mini D-Sub 15 pin) connector on your projector.
 3. Turn on the projector, monitor and the computer.

NOTE: *When the main power is turned off, RGB signal will not be sent to the external monitor.*

Connecting Your DVD Player

DVD player



Audio Equipment

You can connect your projector to a DVD player with component outputs or Video output. To do so, simply:

1. Turn off the power to your projector and DVD player.
2. If your DVD player has the component video (Y,Cb,Cr) output, use a commercially available component video cable (RCA × 3) and the optional 15-pin-to-RCA (female) × 3 cable to connect your DVD player to the RGB INPUT connector on the projector. For a DVD player without component video (Y,Cb,Cr) outputs, use common RCA cables (not provided) to connect a composite VIDEO output of the DVD player to the Video Input of the projector.
3. Turn on the projector and DVD player.

NOTE: Refer to your DVD player's owner's manual for more information about your DVD player's video output requirements.

3. OPERATION

This section describes how to select a computer or video source, how to adjust the picture, and how to customize the menu or projector settings.

General Controls

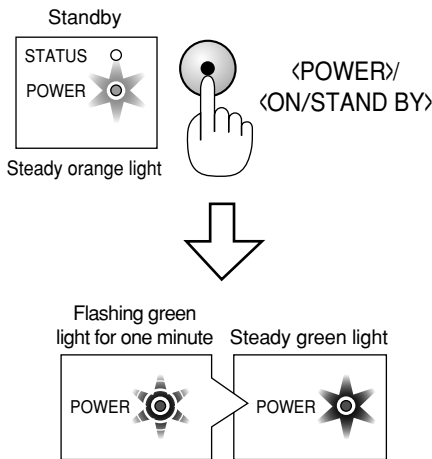
Before you turn on your projector, ensure that the computer or video source is turned on and that your lens cap is removed.

1. Turn on the Projector

Plug the supplied power cable in the wall outlet and then press the main power switch. The projector will go into its standby mode and the power indicator will glow orange.

Only after you press the "POWER" button on the projector cabinet or the remote control will the power indicator turn to green and the projector become ready to use.

Indicator status when the projector is turned on:



The STATUS indicator's light depends on the lamp mode.

NOTE: To turn the projector on by pressing the main power switch, use the menu and enable the "Auto Start" feature. (See page E-34.)

NOTE: Immediately after turning on the projector, screen flicker may occur. This is not a fault. Wait for 3 to 5 minutes until the lamp lighting is stabilized.

2. Select the Computer or Video Source

Press the Source button on the remote control or the projector cabinet to select "Video" (VCR, document camera, or laser disc player), "S-Video" or "RGB" (computer or DVD with component output) to display the image.

Or press the "Menu" button on the remote control or the cabinet and use the menu to select your video source: "Video", "S-Video" or "RGB".

3. Adjust the Lens Shift, the Image Size and the Focus

Use the Lens Shift lever to adjust the image position.

Use the Zoom lever to adjust the image size, then use the Focus ring to obtain the best focus.

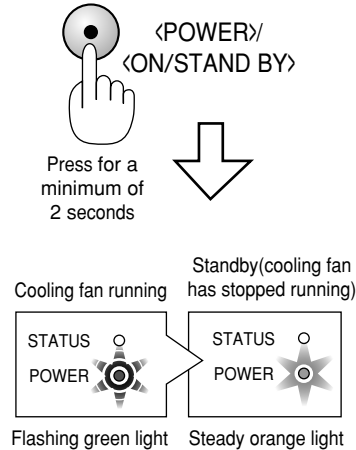
Use the "Magnify" button (+) or (-) on the remote control to make the image larger up to 400%.

4. Turning off the Projector

First press the "POWER" button on the projector cabinet or the remote control for a minimum of two seconds. The power indicator will glow orange. After the projector turns off, the cooling fans keep operating for 60 seconds.

Do not disconnect the power cable during this time. Then, press the main power switch and unplug the power cable. The power indicator will go out.

Indicator status when the projector is turned off:



IMPORTANT:

- The projector should be unplugged if it will not to be used for an extended period.
- To turn off the image and sound briefly (five minutes or less), use the "Mute" button instead of turning the projector off and on.
- The projector will display a black, blue image or logo if no input signal is present.
- Do not turn the projector off and then immediately back on. The projector needs to cool for 60 seconds before it can be restarted.

CAUTION

Avoid displaying stationary images for a prolonged period of time.

Doing so can result in these images being temporarily sustained on the surface of the LCD panel.

If this should happen, continue to use your projector. The static background from previous images will disappear.

CAUTION

Do not turn off the main power or unplug the power cable from the wall outlet under any one of the following circumstances. Doing so can cause damage to the projector:

- Immediately after the power cable is plugged into the wall outlet (when the POWER indicator has not changed to a steady orange glow).
- Immediately after the cooling fan stops working (The cooling fan continues to work for 60 seconds after the projector is turned off with the POWER button).

About Startup screen (Menu Language Select screen)

When you first turn on the projector, you will get the Startup screen. This screen gives you the opportunity to select one of the seven menu languages: English, German, French, Italian, Spanish, Swedish and Japanese.

To select a menu language, follow these steps:

1. Use the ▲ or ▼ buttons to select one of the seven languages for the menu.

Menu Language Select	
Please select a menu language.	English
Wählen Sie bitte die Menü Sprache aus.	Deutsch
S'il vous plaît choisir la langue de menu.	Français
Per favore di scegliere la lingua di menu.	Italiano
Escoja por favor el idioma de menú.	Español
Välj menyn språken.	Svenska
メニュー言語を選択してください。	日本語
Select "UP", "DOWN" & "ENTER"	

2. Press the Enter button to execute the selection.
3. The Basic menu will be displayed in the language you have selected.

Basic Menu	
Source Select	▶
Picture	
Volume	
Image Options	▶
Projector Options	▶
Information	

To close the menu, press the Cancel button.

After this has been done, you can proceed to the advanced menu operation.

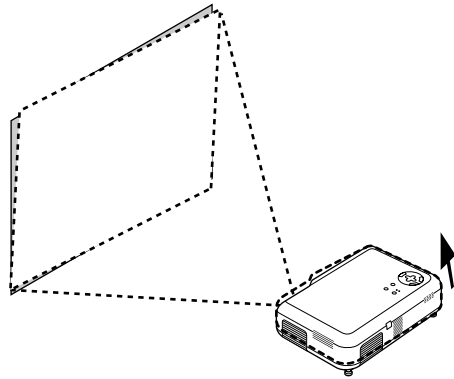
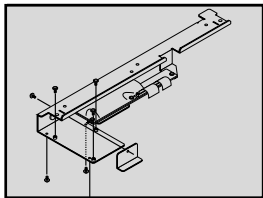
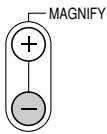
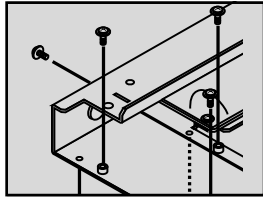
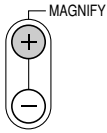
If you want, you can select the menu language later. See “Language” on page E-32.

Enlarging and Moving a Picture

You can enlarge the area you want up to 400 percent.

To do so:

Adjust the image size up to 400 percent.

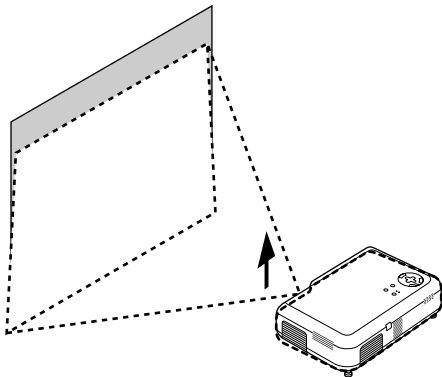


Each of the feet height can be changed up to 1 mm or at angles up to 1 degree.

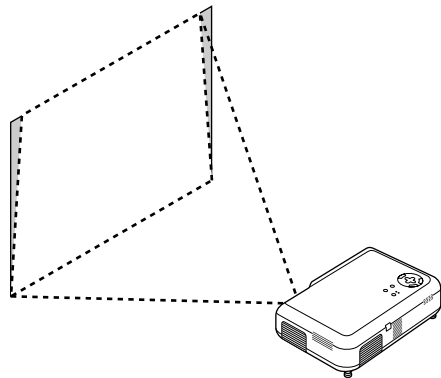
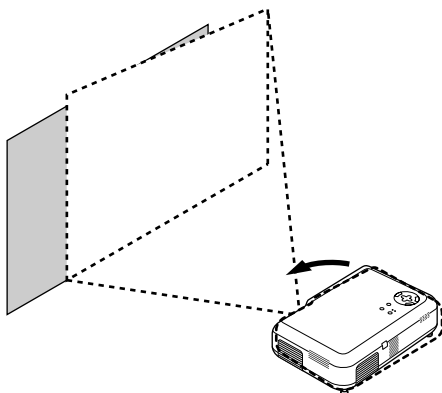
While the picture is enlarged, you can move it using the “Select” ◀, ▶, ▲, or ▼ button.

Geometrical correction

If the image is distorted or not displayed correctly on the screen, do the following.



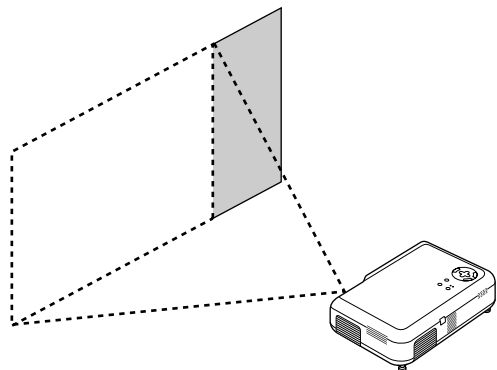
Raise the projector height using the adjustable tilt-foot.



Use keystone correction for proper adjustment. See page E-29.

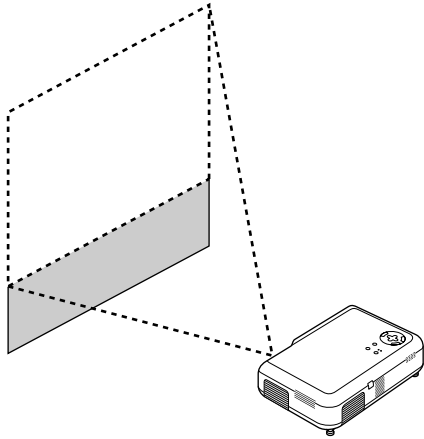
Shifting Image Position

Use the lens shift lever to shift the lens so that the image position can be adjusted on the screen.



In this example, the lens is shifted horizontally to move the image to the right or left.

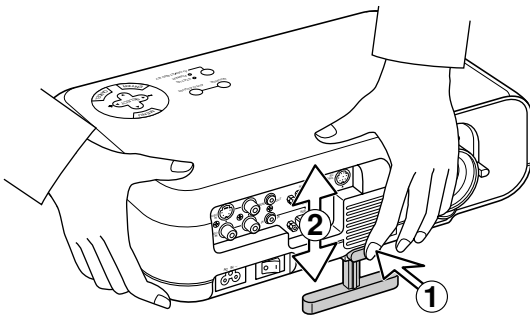
Rotate the projector to make the image square to the screen.



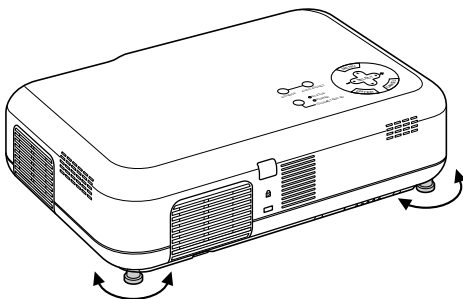
In this example, the lens is shifted vertically to move the image to the top or bottom.

Adjusting the Tilt Foot

- 1) Press and hold the Tilt button on the front of the projector.
- 2) Lift the front edge of the projector to the height you want, and release the button to lock the Adjustable Tilt Foot.



To fine-tune the image's position vertically on the screen, rotate the foot. Each of the rear feet height can be changed up to 1 mm / 0.04 inch



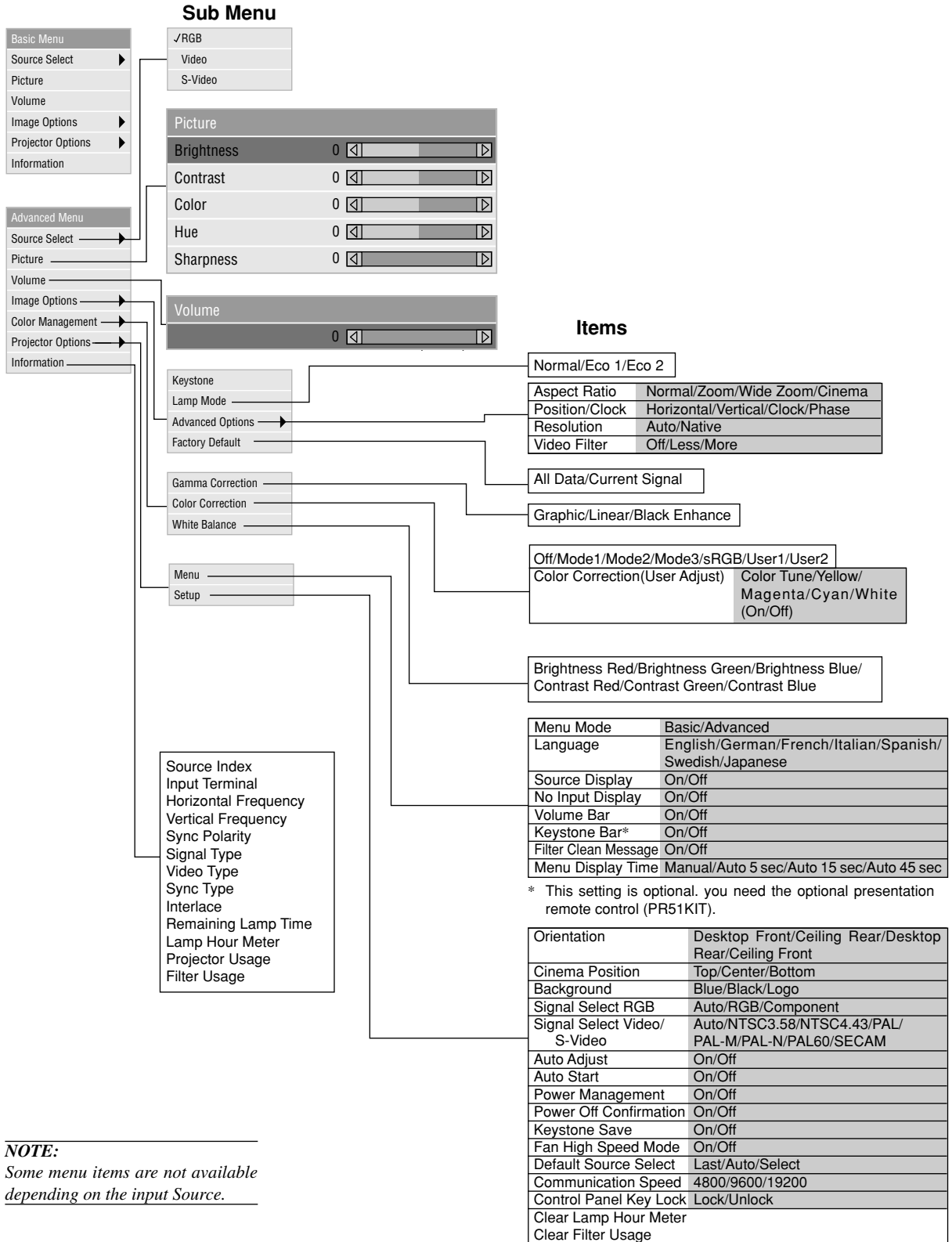
- If the projected image does not appear square to the screen then use keystone correction for proper adjustment. Adjust the size of the image using the Zoom lever on the lens and obtain the best focus using the Focus ring.

Using the Menus

1. Press the "Menu" button on the remote control or the projector cabinet to display the Menu.
2. Press the ▲▼ buttons on the remote control or the projector cabinet to highlight the menu for the item you want to adjust or set.
3. Press the ► button or the "Enter" button on the remote control or the projector cabinet to select a submenu or item.
4. Adjust the level or turn the selected item on or off by using "Select" ◀ or ▶ buttons on the remote control or the projector cabinet. The on-screen slide bar will show you the amount of increase or decrease.
5. The change is stored until you adjust it again.
CANCEL: Return to the previous screen.
6. Repeat steps 2-5 to adjust an additional item, or press "Cancel" on the remote control or the projector cabinet to quit the menu display.

MENU Tree

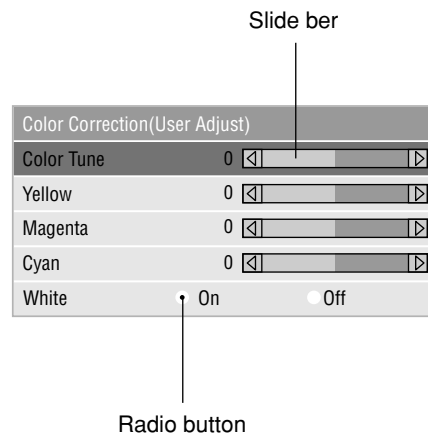
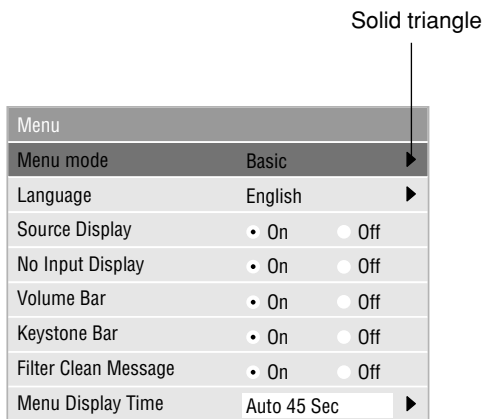
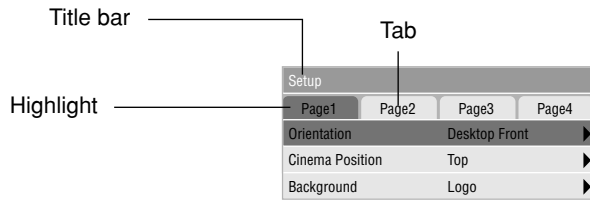
Basic/ Advanced Menu



NOTE:

Some menu items are not available depending on the input source.

Menu Elements



.....
 Menu windows or dialog boxes typically have the following elements:

- Title bar:** Indicates the menu title.
- Highlight:** Indicates the selected menu or item.
- Solid triangle:** Indicates further choices are available. A highlighted triangle indicates the item is active.
- Tab:** Indicates a group of features in a dialog box. Selecting on any tab brings its page to the front.
- Radio button:** Use this round button to select an option in a dialog box.
- Slide bar:** Indicates settings or the direction of adjustment.

Menu Descriptions & Functions

Source Select

✓RGB
Video
S-Video

Enables you to select a video source such as a VCR, DVD player, laser disc player, computer or document camera depending on what is connected to your inputs. Press the “Select” button on the projector cabinet or ▲▼ buttons on your remote control to highlight the menu for the item you want to adjust.

<RGB>

Selects the computer connected to your RGB or component signal.

NOTE: An optional component cable (Component V or ADP-CVI cable) is needed for a component signal.

<Video>

Selects what is connected to your Video input-VCR, laser disc player, DVD player or document camera.

<S-Video>

Selects what is connected to your S-Video input-VCR, DVD player, or laser disc player.

NOTE: A frame may freeze for a brief period of time when a video is played back in fast-forward or fast-rewind with a Video or S-Video source.

Picture

Picture	
Brightness	0 ◀▶
Contrast	0 ◀▶
Color	0 ◀▶
Hue	0 ◀▶
Sharpness	0 ◀▶

Provides access to controls for your image. Use the “Select” button on the projector cabinet or the remote control to highlight the menu for the item you want to adjust.

<Brightness>

Adjusts the brightness level or the back raster intensity.

<Contrast>

Adjusts the intensity of the image according to the incoming signal.

<Color>

Increases or decreases the color saturation level (not valid for RGB).

<Hue>

Varies the color level from +/- green to +/-blue. The red level is used as reference. This adjustment is only valid for Video and Component inputs (Not RGB).

<Sharpness>

Controls the detail of the image for Video (Not for RGB and Component).

Volume

Adjusts the sound level of the projector.



NOTE: You can display the volume bar without opening the menu. See “Volume Bar (Direct Button)” on page E-33 for more details.

Image Options

Basic Mode

Keystone
Lamp Mode
Factory Default

Advanced Mode

Keystone
Lamp Mode
Advanced Options ▶
Factory Default

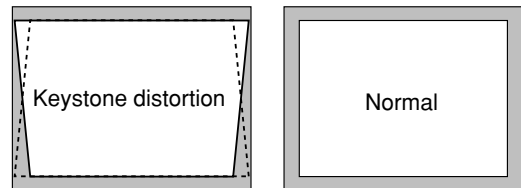
Provides optional controls such as Keystone Correction, Lamp Mode and Factory Default. When you select Advanced Mode, the following options are available: Aspect Ratio, Position/Clock, Resolution, and Video Filter.

Keystone



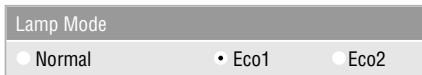
This feature corrects the keystone (trapezoidal) distortion to make the top of the screen longer or shorter to be the same as the bottom.

Use the ◀ or ▶ buttons on the slide bar to correct the keystone (trapezoidal) distortion.



NOTE: The keystone angle can be corrected between 15 degrees upward and 15 degrees downward at a 0 degree-projection angle. Depending on the type of graphics being used, the picture may get blurred or keystone correction may not be possible when excessive keystone correction is used. The idea is, the closer you are to native resolution, the better image you will see.

Lamp Mode



This feature enables you to select three brightness modes of the lamp: Normal and Eco modes. The lamp life can be extended up to 2000 hours by using the Eco 2 mode.

Normal Mode: This is the default setting. This setting consumes maximum current from the AC input and results in the most light output.

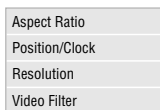
Eco 1 Mode: Select this mode to extend the lamp life by up to 150%.

Eco 2 Mode: Select this mode to extend the lamp life by up to 200%.

NOTE: During the first one minute of operation the light output from the projector will be brighter than during normal use. The user will notice a slight drop off in brightness after the projector has completed the start-up mode.

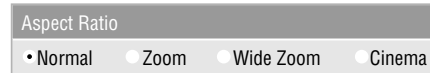
Advanced Options (Advanced mode)

Allows for adjustments of image position and stability.



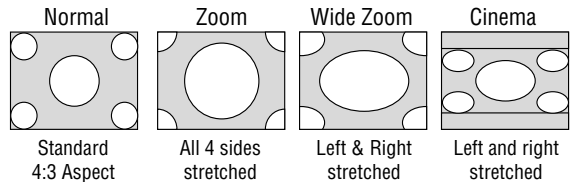
When you select Advanced Options in Advanced mode, the following options are available: Aspect Ratio, Position/Clock, Resolution, and Video Filter.

Aspect Ratio:

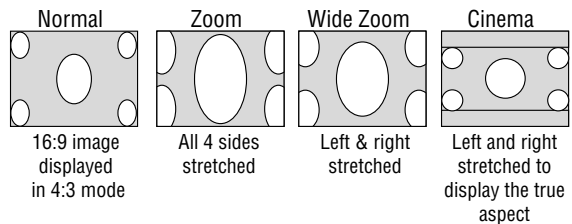


Aspect Ratio allows you to select the best Aspect mode to display your source image. You can also display the Aspect Ratio window by pressing the “Aspect” button on the remote control. (See page E-12).

When 4:3 is selected from the source (i.e. DVD player), the following selections will display:



When 16:9 is selected from the source (i.e. DVD player), the following selections will display:

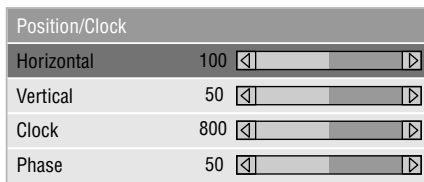


NOTE: You can select three image positions for Cinema: Top, center, and bottom.

See page E-33 for setting image positions.

NOTE: Once the Aspect setting has been changed, the “Resolution” setting is automatically changed to “Auto”.

Position/ Clock (when Auto Adjust is off):



This allows you to manually adjust the image horizontally and vertically, and adjust Clock and Phase.

<Horizontal/Vertical Position>

Adjusts the image location horizontally and vertically using the ◀ and ▶ buttons.

This adjustment is made automatically when the Auto Adjust is turned on.

<Clock>

Use this item with the “Auto Adjust off” to fine tune the computer image or to remove any vertical banding that might appear. This function adjusts the clock frequencies that eliminate the horizontal banding in the image. Press the ◀ and ▶ buttons until the banding disappears. This adjustment may be necessary when you connect your computer for the first time. This adjustment is made automatically when the Auto Adjust is turned on.

<Phase>

Use this item to adjust the clock phase or to reduce video noise, dot interference or cross talk. (This is evident when part of your image appears to be shimmering.) Use the ◀ and ▶ buttons to adjust the image.

Use “Phase” only after the “Clock” is complete.

This adjustment is made automatically when the Auto Adjust is turned on.

See “Auto Adjust (RGB Only)” on page E-34 for turning on or off the Auto Adjust feature.

Resolution (when Auto Adjust is off):



This allows you to activate or deactivate the Advanced AccuBlend feature.

Auto: Turns on the Advanced AccuBlend feature. The projector automatically reduces or enlarges the current image to fit the full screen.

Native: Turns off the Advanced AccuBlend feature. The projector displays the current image in its true resolution.

See “Auto Adjust (RGB Only)” on page E-34 for turning on or off the Auto Adjust feature.

NOTE: When an image with a resolution of SVGA, XGA or SXGA is displayed, the Resolution is not available.

NOTE: Once the Resolution setting has been changed, the “Aspect” setting is automatically changed to “Normal”.

Video Filter (when Auto Adjust is off):



This function reduces video noise.

Off: The low-pass filter is not applied.

Less: The low-pass filter is applied weakly.

More: The low-pass filter is applied strongly.

Screen adjustments are possible even when the filter is on.

Factory Default

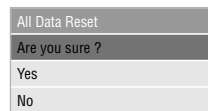


Changes all adjustments and settings to the factory preset.

<All Data>

Reset all the adjustments and settings for all the signals to the factory preset.

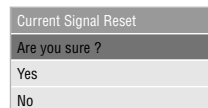
The items can be reset except Language, Communication Speed, Lamp Remaining Time, Lamp Hour Meter, Filter Usage, and Projector Usage. To reset the lamp usage time, see “Clear Lamp Hour Meter” and “Clear Filter Usage” page E-35.



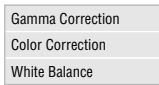
<Current Signal>

Resets the adjustments for the current signal to the factory preset levels.

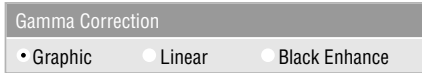
The items that can be reset are: Brightness, Contrast, Color, Hue, Sharpness, Volume, Aspect, Horizontal Position, Vertical Position, Clock, Phase, Resolution, Video Filter, Gamma Correction, Color Correction, and White Balance.



Color Management



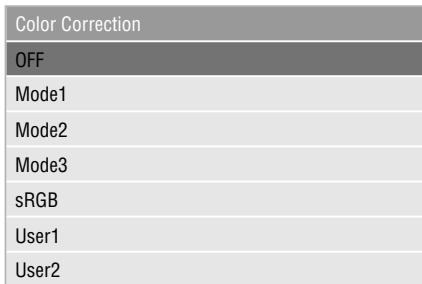
Gamma Correction (Advanced mode)



Use the ◀ or ▶ buttons to choose one mode from three options. Each mode is recommended for :

- Graphic: For graphics
- Linear: For line art such as CAD
- Black Enhance: For dark portions of a picture

Color Correction (Advanced mode)



This option allows you to adjust neutral tint for yellow, cyan or magenta.

There are 4 factory presets optimized for various types of images, or you can set 2 user adjustable settings.

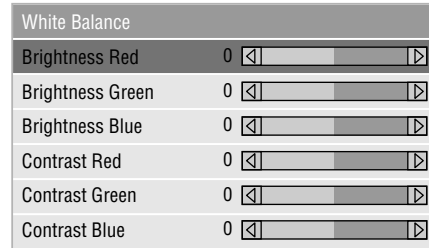
- OFF: Turns off the Color Correction. You obtain the brightest image.
- Mode 1: Recommended for true flesh tones
- Mode 2: Recommended for turf color
- Mode 3: Recommended for deep red
- sRGB: Standard color values
- User 1: User adjustable
- User 2: User adjustable

When selecting User 1 or 2, the submenu below will be displayed. You can customize each color or tint.

User Adjust

- Color Tune: Adjusts the Tint on whole screen for RGB.
- Yellow: Adjusts yellow to obtain reddish yellow or greenish yellow
- Magenta: Adjusts magenta or purple to obtain reddish magenta or bluish magenta.
- Cyan: Adjusts cyan or light greenish blue to obtain greenish or bluish cyan.
- White (On/Off): Select “On” for a bright white image; “Off” for a natural white image.

White Balance (Advanced mode)

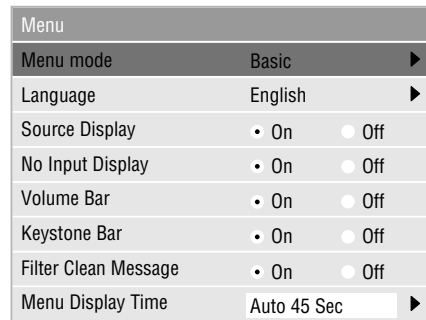


This allows you to adjust the white balance. Brightness for each color (RGB) is used to adjust the black level of the screen; Contrast for each color (RGB) to adjust the white level of the screen. First use the ▲ or ▼ buttons to select R, G, or B for the brightness and the contrast. Next use the ◀ or ▶ buttons to adjust the level.

Projector Options



Menu



Allows you to set preferences for the on-screen menu.

<Menu Mode>

This feature allows you to select two menu modes: one has basic functionality and the other more advanced functionality.

Basic Mode: This is the normal mode.

Advanced Mode: This mode is used for advanced users.

<Language>

You can choose one of seven languages for on-screen instructions. The options are: English, German, French, Italian, Spanish, Swedish and Japanese.

NOTE: The “Language” setting cannot be reset back to “English” using the Factory Default function.

<Source Display>

You can turn on and off the information for input name such as VIDEO and RGB.

When this option is on, the current input will be displayed each time you switch sources or turn on the projector.

<No Input Display>

When this feature is turned on, the "No Input" message will appear if there is no signal present.

<Volume Bar (Direct Button)>

This option turns on or off the volume bar when you adjust the sound volume using VOL+/- (up and down) button.

On: You can increase or decrease the sound volume with the volume bar on screen.

NOTE: *If no adjustments are performed within 3 seconds, the Volume bar will disappear.*

Off: You can increase or decrease the sound volume without having to use the volume bar.

<Keystone Bar (option)>

This option is available on the optional presentation remote control (PR51KIT) only. This option turns on or off the keystone bar when you adjust the keystone using KEYSTONE +/- button on the optional presentation remote control.

On: You can increase or decrease the level with the keystone bar on screen.

Off: You can increase or decrease the level without having to use the keystone bar.

<Filter Clean Message>

Clean Filter: This option turns on or off the "Please clean the filters" message each time you turn on the projector if the projector has been used in excess of 100 hours of use.

On: The message to clean the filters will be displayed.

Off: The message will not be displayed.

See page E-37 for cleaning the filters. After cleaning the filters, reset the filter usage back to zero. To reset the filter usage, see page E-35.

<Menu Display Time>

This option allows you to select how long the projector waits after the last touch of a button to turn off the menu.

The preset choices are "Manual", "Auto 5 sec", "Auto 15 sec", and "Auto 45 sec". The "Auto 45 sec" is the factory preset.

Manual: The menu can be turned off manually.

Auto 5 sec: The menu will automatically be turned off in 5 seconds if no buttons are pressed within 5 seconds.

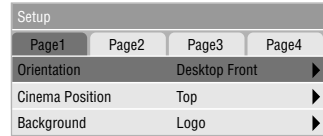
Auto 15 sec: The menu will automatically be turned off in 15 seconds if no buttons are pressed within 15 seconds.

Auto 45 sec: The menu will automatically be turned off in 45 seconds if no buttons are pressed within 45 seconds.

Setup

Enables you to set operating options.

[Page1]



<Orientation>

This reorients your image for your type of projection.

The options are: front floor projection, rear ceiling projection, rear floor projection, and front ceiling projection.

<Cinema Position>

This feature selects the vertical position of the image when viewing video with Cinema aspect ratio selected.

When Cinema aspect ratio is selected on earlier models, the image is displayed with black borders on the top and bottom. You can select the vertical position among three options:

Top: Image position is at the top with a black border on bottom.

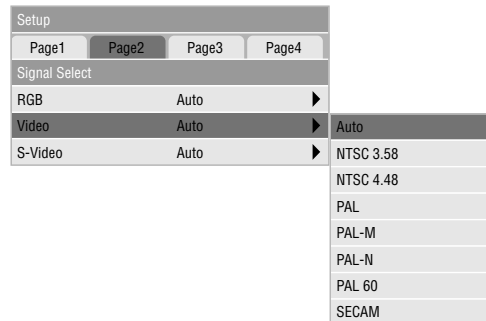
Center: Image position is at the center with black borders on top and bottom.

Bottom: Image position is at the bottom with a black border on top.

<Background>

Use this feature to display a black/ blue screen or logo when no signal is available.

[Page2] (Advanced mode)



Signal Select:

<RGB>

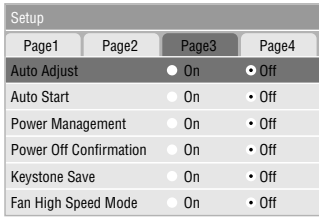
Allows you to choose "RGB" for an RGB source such as a computer, or "Component" for a component video source such as a DVD player. Normally select "Auto" and the projector automatically detects a component signal. However there may be some component signals that the projector is unable to detect. If this is the case, select "Component".

<Video & S-Video System Select>

This feature enables you to select composite video standards manually. Normally select "Auto".

When you select the video standard for Video and S-Video, select the video standard from the pull-down menu.

This must be done for Video and S-Video respectively.



<Auto Adjust>

When “Auto Adjust” is set to “On”, the projector automatically determines the best resolution for the current RGB input signal to project an image using NEC’s Advanced AccuBlend Intelligent Pixel Blending Technology.

The image can be automatically adjusted for geometry and stability; “Horizontal Position”, “Vertical Position”, “Clock” and “Phase”.

On: Automatically adjusts image “Horizontal Position”, “Vertical Position”, “Clock” and “Phase”.

Off: User can adjust the image display functions (“Horizontal Position”, “Vertical Position”, “Clock” and “Phase”) manually.

<Auto Start>

Turns the projector on automatically when the power cable is inserted into an active power outlet and the main power switch is on. This eliminates the need to always use the “Power” button on the remote control or projector cabinet.

<Power Management>

When this option is on and there is no RGB input for five minutes or more, the projector will automatically turn itself off.

NOTE: This feature does not work with Video or S-Video sources.

<Power Off Confirmation>

This option determines whether a confirmation dialog for turning off the projector will appear or not.

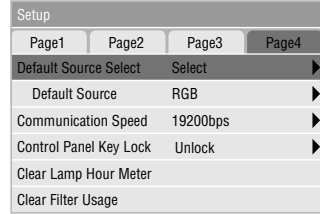
<Keystone Save>

This option enables you to save your current keystone settings. Saving your change once affects all sources. The changes are saved when the projector is off.

<Fan High Speed Mode>

This option allows you to select two modes for fan speed: high-speed mode and normal speed mode.

When you wish to cool down the temperature inside the projector, select the high-speed mode. High-speed mode is recommended when the projector is used in the high-temperature environment.



<Default Source Select>

You can set the projector to default to any one of its inputs each time the projector is turned on.

Last: Sets the projector to default to the previous or last active input each time the projector is turned on.

Auto: Searches for an active source in order of RGB → Video → S-Video and displays the first found source.

Select: Displays the selected source input every time the projector is started up. Select an input from the pull-down menu.

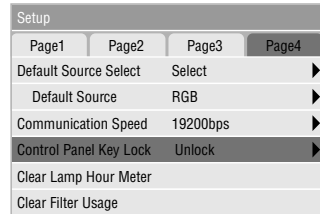
<Communication Speed>

This feature sets the baud rate of the PC Control port (Mini DIN 8 Pin).

it supports data rates from 4800 to 19200 bps.

The default is 19200 bps. Select the appropriate baud rate for your equipment to be connected.

<Control Panel Key Lock>



This option turns on or off the Control Panel Key Lock function.

NOTE:

- When the cabinet buttons are not locked, “Control Panel Key Lock - Unlock” will be displayed. When the cabinet buttons are locked, “Control Panel Key Lock - Lock” will be displayed.
- This Control Panel Key Lock does not affect the remote control and the PC Control functions.

To lock the cabinet buttons:

- 1) Use the Select ▲ or ▼ button to select “Control Panel Key Lock” and press the ENTER button. The submenu will be displayed.
- 2) Use the Select ▲ or ▼ button to select “Lock” and press the ENTER button. The following confirmation screen will be displayed.

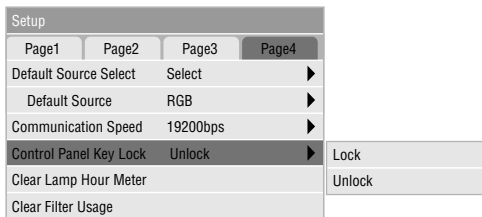


- 3) Use the Select ▲ or ▼ button to select “Yes” and press the ENTER button. The display will be changed to “Control Panel Key Lock - Lock” and be returned to the previous menu screen.

NOTE: When “No” is selected and the ENTER button is pressed, the display will not be changed and will be returned to the previous menu screen.

To unlock the cabinet buttons:

- 1) Use the Select ▲ or ▼ button on the remote control to select “Control Panel Key Lock” and press the ENTER button on the remote control. The submenu will be displayed.



- 2) Use the Select ▲ or ▼ button on the remote control to select “Unlock” and press the ENTER button on the remote control. This change will take effect immediately.

NOTE:

- The confirmation screen will not be displayed.
 - When the cabinet buttons are locked, pressing and holding the CANCEL button for about 10 seconds will change the setting from Locked to Unlocked.
-

<Clear Lamp Hour Meter>

Resets the lamp clock back to zero. Selecting this option displays submenu for a confirmation. To reset the lamp usage hour meter, use the ▼ or ▲ button to select “Yes”.

NOTE: The projector will turn off and go into standby mode after 1100 hours (up to 1600 hours in Eco 1 mode / 2100 hours in Eco 2 mode) of service. If this happens, press the “Help” button on the remote control for ten seconds to reset the lamp clock back to zero. Do this only after replacing the lamp.

<Clear Filter Usage>

Resets the filter usage back to zero. Selecting this option displays submenu for a confirmation. To reset the filter usage hour, use the ▼ or ▲ button to select “Yes”.

Information

Displays the status of the current signal and lamp usage. This dialog box has three pages. The information included are as follows:

[Page 1]
Source Index
Input Terminal
Horizontal Frequency
Vertical Frequency
Sync Polarity

[Page 2]
Signal Type
Video Type
Sync Type
Interlace

[Page 3]
Remaining Lamp Time (%)*
Lamp Hour Meter (H)
Projector Usage
Filter Usage

* When the remaining lamp time reaches 0, the Remaining Lamp Time bar indicator changes from 0% to 100 Hours and starts counting down. If the remaining lamp time reaches 0 hours, the projector will not turn on regardless of whether the lamp mode is set to Normal or Eco.

NOTE: The progress indicator shows the percentage of remaining bulb life. The value informs you of the amount of lamp and projector usage respectively.

4. MAINTENANCE

This section describes the simple maintenance procedures you should follow to replace the lamp, clean the filters, and replace the batteries in the remote control.

Replacing the Lamp

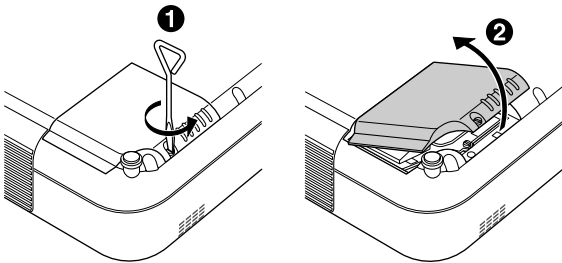
After your lamp has been operating for 1000 hours (up to 2000 hours in Eco 2 mode and up to 1500 hours in Eco 1 mode) or longer, the “Status” light in the cabinet will go on and the message will appear. Even though the lamp may still be working, replace it at 1000 (up to 2000 hours in Eco 2 mode and up to 1500 hours in Eco 1 mode) hours to maintain optimal projector performance.

CAUTION

- DO NOT TOUCH THE LAMP immediately after it has been used. It will be extremely hot. Turn the projector off, wait 60 seconds, and then disconnect the power cable. Allow at least one hour for the lamp to cool before handling.
- DO NOT REMOVE ANY SCREWS except the lamp cover screw and two lamp case screws. You could receive an electric shock.
- The projector will turn off and go into stand by mode after 1100 (up to 2100 hours in Eco 2 mode and up to 1600 hours in Eco 1 mode) hours of service. If this happens, be sure to replace the lamp. If you continue to use the lamp after 1000 hours (up to 2000 hours in Eco 2 mode and up to 1500 hours in Eco 1 mode) of use, the lamp bulb may shatter, and pieces of glass may be scattered in the lamp case. Do not touch them as the pieces of glass may cause injury. If this happens, contact your NEC dealer for lamp replacement.

To replace the lamp:

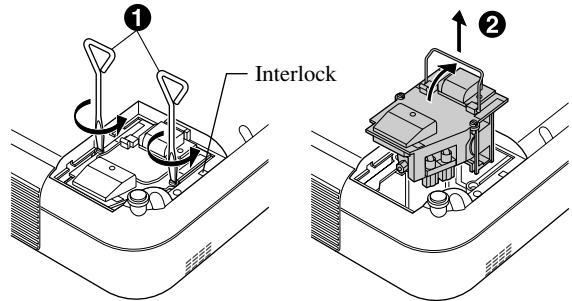
1. Loosen the lamp cover screw until the screwdriver goes into a freewheeling condition and remove the lamp cover. The lamp cover screw is not removable.



2. Loosen the two screws securing the lamp housing until the screwdriver goes into a freewheeling condition. The two screws are not removable.

Remove the lamp housing by pulling out the handle.

NOTE: There is an interlock on this case to prevent the risk of electrical shock. Do not attempt to circumvent this interlock.



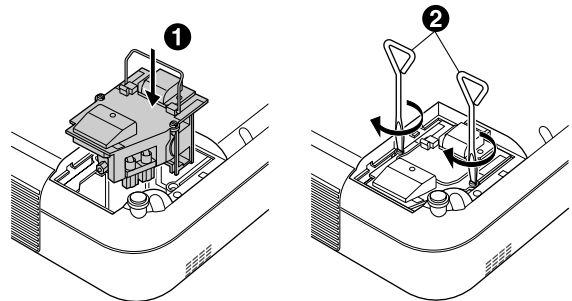
3. Insert a new lamp housing until the lamp housing is plugged into the socket.

CAUTION

Do not use a lamp other than the NEC replacement lamp (VT45LP). Order this from your NEC dealer.

Secure it in place with the two screws.

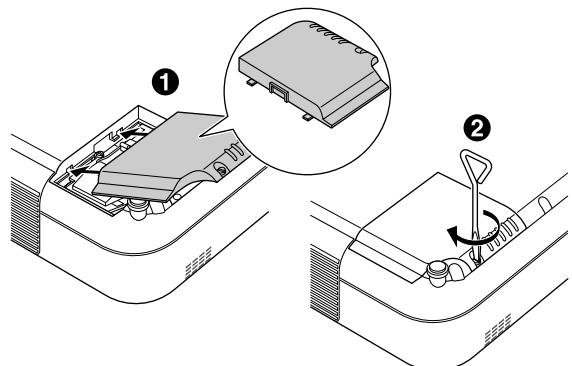
Be sure to tighten the screws.



4. Reattach the lamp cover.

Tighten the lamp cover screw.

Be sure to tighten the screw.



- After you install a new lamp, select [Advanced Menu] → [Projector Options] → [Setup] → [Page 4] → [Clear Lamp Hour Meter] to reset the lamp usage hours.

NOTE: When the lamp exceeds 1100 hours (up to 2100 hours in Eco 2 mode and up to 1600 hours in Eco 1 mode) of service, the projector cannot turn on and the menu is not displayed. If this happens, press the Help button on the remote control for a minimum of 10 seconds while in standby mode. When the lamp time clock is reset to zero, the STATUS indicator goes out.

Cleaning or Replacing the Filters

The air-filter sponge keeps the inside of the VT45 Projector free from dust or dirt and should be cleaned after every 100 hours of operation (more often in dusty conditions). If the filter is dirty or clogged, your projector may overheat.

CAUTION

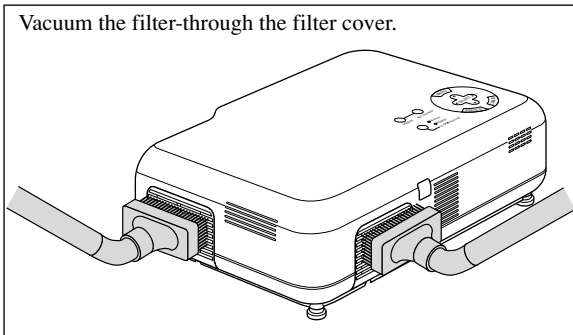
- Turn off the power and unplug the projector before replacing the filter.
- Only clean the outside of the filter cover with a vacuum cleaner.
- Do not attempt to operate the projector without a filter cover.
- Your projector will not operate unless the filter cover is installed correctly.

To clean the air-filter:

When “Clean Filter” option is turned on, the “Please clean the filters” message will be displayed each time the projector is turned on after it has been used in excess of 100 hours. Should this message appear, clean the filters.

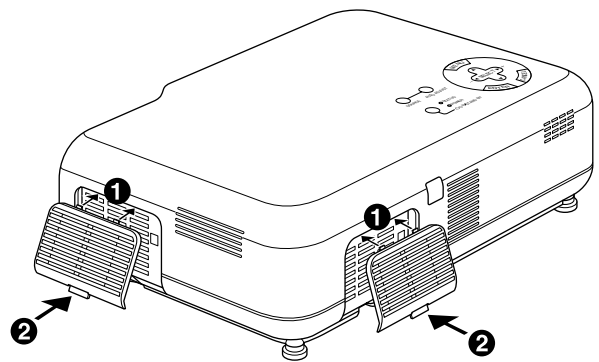
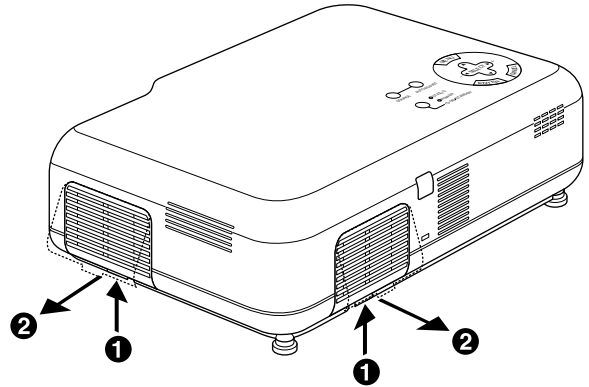
- The message can be turned on or off using the “Menu” - “Filter Clean Message” option on the Setup menu. See page E-33.
- After cleaning the filters and resetting the filter usage time back to zero, the message will not be displayed. See page E-35 for resetting the filter usage time.

Vacuum the filter-through the filter cover.



To replace the air-filter:

- Remove the filter cover by pushing up on the catch of the cover until you feel it detach.



- Reinstall the new filter cover.

NOTE: Do not detach the sponge from the filter cover. Do not wash the filter cover with soap and water. Soap and water will damage the filter membrane. Before replacing the filter cover, remove dust and dirt from the projector cabinet. Keep out dust and during filter replacement.

NOTE: When you replace the lamp, it is also wise to replace the filters. The filters come in the same package with your replacement lamp.

NOTE: A mix-up between the two filter covers can cause a damage to the projector. The rear and the side filter covers appear to be the same shape, but they are not interchangeable with each other.

5. TROUBLESHOOTING

This section helps you resolve problems you may encounter while setting up or using the projector.

Power/ Status Light Messages

Condition	Power Indicator	Status Indicator	Note
Standby	Steady orange	–	–
Cooling down	Blinking green	–	Blinks green for 60 seconds
Lamp in Normal mode	Steady green	–	–
Lamp in Eco 1 mode	Steady green	Steady orange	–
Lamp in Eco 2 mode	Steady green	Steady green	–
One minute after lamp is turned on	Blinking green	Depending Lamp mode	Do not turn off the projector during this condition.
Retrying to turn on lamp	Steady green	Blinking orange	The projector retries 3 times at an interval of 15 sec for max. 45 sec)
Lamp has reached its end of life (1000 hours or over: Normal mode) (1500 hours or over: Eco 1 mode) (2000 hours or over: Eco 2 mode)	Steady green	Steady red	Message appears on screen during this condition. The projector reaches its end of life. Please replace the lamp as soon as possible
Lamp life has reached its end of life (1100 hours or over: Normal mode) (1600 hours or over: Eco 1 mode) (2100 hours or over: Eco 2 mode)	Steady orange	Steady red	The projector is in standby mode and cannot be turned on.
Lamp or filter cover error (3 locations)	Steady orange	Blinking red (1 sec interval)	The projector is in standby mode and cannot be turned on.
Temperature error	Steady orange	Blinking red (4 sec interval)	The projector is in standby mode and cannot be turned on.
Fan error	Steady orange	Blinking red (8 sec interval)	The projector is in standby mode and cannot be turned on.
Lamp error	Steady orange	Blinking red (12 sec interval)	The projector is in standby mode and cannot be turned on.

Common Problems & Solutions

Problem	Check These Items
Does not turn on	<ul style="list-style-type: none"> • Check that the power cable is plugged in and that the power button on the projector cabinet or the remote control is on. • Ensure that the lamp cover is installed correctly. See page E-36. • Check to see if the projector has overheated or the lamp usage exceeds 1100 hours (2100 hours in Eco 2 mode and 1600 hours in Eco 1 mode). If there is insufficient ventilation around the projector or if the room where you're presenting is particularly warm, move the projector to a cooler location.
No picture	<ul style="list-style-type: none"> • Use the menu to select your source (Video, S-Video or RGB). See page E-29. • Ensure your cables are connected properly. • Use menus to adjust the brightness and contrast. See page E-29. • Remove the lens cap. • Reset the settings or adjustments to factory preset levels using the Factory Default on the Image Options Menu. See page E-31.
Image isn't square to the screen	<ul style="list-style-type: none"> • Reposition the projector to improve its angle to the screen. See page E-14. • Use the Keystone on the Image Options Menu to correct the trapezoid distortion. See page E-29.
Picture is blurred	<ul style="list-style-type: none"> • Adjust the focus. See page E-23. • Reposition the projector to improve its angle to the screen. See page E-14. • Ensure that the distance between the projector and screen is within the adjustment range of the lens. See page E-15.
Image is scrolling vertically, horizontally or both	<ul style="list-style-type: none"> • Use menus or Source button on the remote control or the cabinet to select the source you want to input.
Remote control does not work	<ul style="list-style-type: none"> • Install new batteries. See page E-13. • Make sure there are no obstacles between you and the projector. • Stand within 22 feet (7 m) of the projector. See page E-13.
Status indicator is lit or blinking	<ul style="list-style-type: none"> • See the Power/ Status Light messages above.
Cross color in RGB mode	<ul style="list-style-type: none"> • If Auto Adjust is off, turn it on. If Auto Adjust is on, turn it off and balance the image with the Position and Clock Adjust on the Advanced Options Menu. See page E-31.

6. SPECIFICATIONS

This section provides technical information about the VT45 Projector's performance.

Model Number **VT45**

Optical

LCD Panel	0.7" p-Si TFT active-matrix, 800 × 600 dots
Lens	Manual zoom, manual focus F2.0 – 2.2 f=26.7 – 29.3 mm
Lamp	135W NSH lamp (120W in Eco 1 mode and 110W in Eco 2 mode) The lamp is warranted for 1000 hours of operation time within 6 months.
Image Size	25 – 300 inches (0.64 – 7.62 m) diagonal
Projection Distance	3.3 – 39.4 ft (1.0 – 11.2 m)

Electrical

Inputs	Video (NTSC / PAL / PAL-M / PAL-N / PAL60 / SECAM / NTSC4.43) Horizontal Frequency : 15 – 100 kHz (RGB : 24 kHz or over) Vertical Frequency : 50 – 120 Hz
Video Bandwidth	RGB: 80 MHz
Color	Reproduction Full color, 16.7 million colors simultaneously.
Horizontal Resolution	550 TV lines : NTSC / PAL / NTSC4.43 / YCbCr 350 TV lines : SECAM RGB : 800 dots horizontal, 600 dots vertical
Power Requirement	100 – 120 / 200 – 240 VAC, 50 / 60 Hz
Input Current	2.3 A (100 – 120 VAC) / 1.2A (200 – 240 VAC)
Power Consumption	200 W (185 W in Eco 1 : 175W in Eco 2)

Mechanical

Dimensions	11.8" (W) × 3.3" (H) × 8.1" (D) / 299 mm (W) × 85 mm (H) × 207 mm (D) (not including lens and feet)
Net Weight	5.6 lbs / 2.5 kg
Environmental Considerations	Operational Temperatures: 32° – 95°F (0° to 35°C), 20 – 80% humidity (non-condensing) Storage Temperatures: 14° – 122°F (-10° to 50°C), 20 – 80% humidity (non-condensing)
Regulations	UL Approved (UL 1950, CSA 950) Meets DOC Canada Class B requirements Meets FCC Class B requirements Meets AS/NZS3548 Class B Meets EMC Directive (EN55022, EN55024, EN61000-3-2, EN61000-3-3) Meets Low Voltage Directive (EN60950, TUV GS Approved)

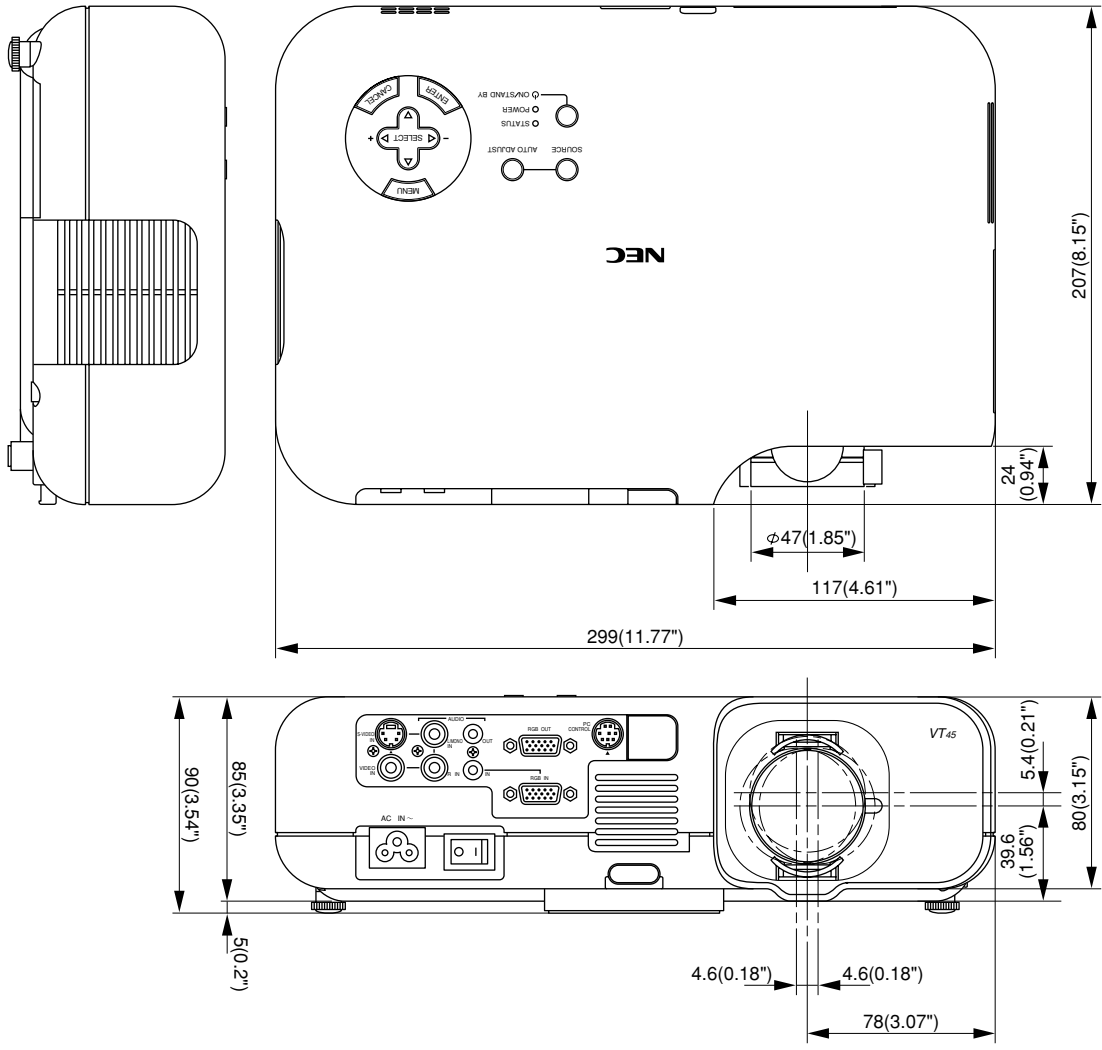


We provide more information about our projectors through the World Wide Web at <http://www.nec-pj.com/>

*LCD panels are inherently susceptible to bad pixels.
The LCD panel may have pixel failures at the rate of 0.01% or less.
The specifications are subject to change without notice.*

Cabinet Dimensions

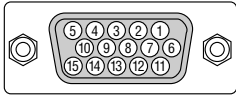
VT45



Unit = mm (inch)

D-Sub Pin Assignments

Mini D-Sub 15 Pin Connector



Signal Level

Video signal : 0.7Vp-p (Analog)

Sync signal : TTL level

Pin No.	RGB Signal (Analog)	YCbCr Signal
1	Red	Cr
2	Green or Sync on Green	Y
3	Blue	Cb
4	Ground	
5	Ground	
6	Red Ground	Cr Ground
7	Green Ground	Y Ground
8	Blue Ground	Cb Ground
9	No Connection	
10	Sync Signal Ground	
11		
12	Bi-directional DATA (SDA)	
13	Horizontal Sync or Composite Sync	
14	Vertical Sync	
15	Data Clock	

Timing Chart

Signal	Resolution (Dots)	Frequency H. (kHz)	Refresh Rate (Hz)	Dot Clock (MHz)
NTSC	–	15.734	60	-
PAL	–	15.625	50	-
SECAM	768 × 576	15.625	50	-
VESA	640 × 480	31.47	59.94	25.175
IBM	640 × 480	31.47	60	25.175
MAC	640 × 480	31.47	60	25.175
MAC	640 × 480	34.97	66.67	31.334
MAC	640 × 480	35	66.67	30.24
VESA	640 × 480	37.86	72.81	31.5
VESA	640 × 480	37.5	75	31.5
IBM	640 × 480	39.375	75	31.49
VESA	640 × 480	43.269	85.01	36
IBM	720 × 350	31.469	70.09	28.322
VESA	720 × 400	37.927	85.04	35.5
IBM	720 × 350	39.44	87.85	35.5
IBM	720 × 400	39.375	87.7	35.5
VESA	800 × 600	35.16	56.25	36
VESA	800 × 600	37.879	60.32	40
VESA	800 × 600	48.077	72.19	50
VESA	800 × 600	46.88	75	49.5
VESA	800 × 600	53.674	85.06	56.25
# MAC	832 × 624	49.725	74.55	57.283
# VESA	1024 × 768	35.5	43 Interlaced	44.9
# VESA	1024 × 768	48.363	60	65
# VESA	1024 × 768	57.476	70.07	75
# IBM	1024 × 768	58.131	72.03	79
# MAC	1024 × 768	60.241	74.93	80
# VESA	1024 × 768	60.023	75.03	78.75
# VESA	1024 × 768	68.677	85	94.5
# VESA	1152 × 864	67.5	75	108
# MAC	1152 × 870	68.681	75.06	100
# SUN	1152 × 900	61.796	65.95	92.94
# SGI	1152 × 900	71.736	76.05	105.6
# VESA	1280 × 960	60	60	108
# SGI	1280 × 1024	63.9	60	107.35
# VESA	1280 × 1024	63.981	60.02	108
# MAC	1280 × 1024	64.31	60.38	107
# MAC	1280 × 1024	69.9	65.2	118.5
# HP	1280 × 1024	78.125	72.01	135
# SUN	1280 × 1024	81.13	76.11	135
# VESA	1280 × 1024	79.976	75.03	135
# VESA	1280 × 1024	91.146	85.02	157.5
# HDTV (1080i)(1125i)	1920 × 1080	33.75	60 Interlace	74.25
# HDTV (720p)(750p)	1280 × 720	45	60 Progressive	74.25
# SDTV (480p)(525p)	–	31.47	59.94 Progressive	27
# SDTV (480i)(525i)	–	15.73	59.9 Interlace	–

#: Images in above flagged with # are compressed with Advanced AccuBlend.

NOTE1: Some composite sync signals may not be displayed correctly.

NOTE2: Signals other than those specified in the table above may not be displayed correctly. If this should happen, change the refresh rate or resolution on your PC. Refer to Display Properties help section of your PC for procedures.

PC Control Codes

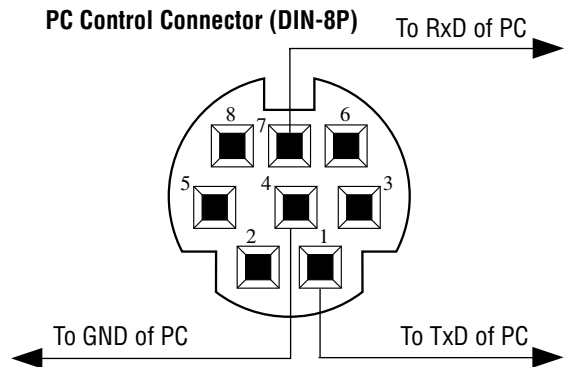
Function	Code Data
POWER ON	02H 00H 00H 00H 00H 02H
POWER OFF	02H 01H 00H 00H 00H 03H
INPUT SELECT RGB	02H 03H 00H 00H 02H 01H 01H 09H
INPUT SELECT VIDEO	02H 03H 00H 00H 02H 01H 06H 0EH
INPUT SELECT S-VIDEO	02H 03H 00H 00H 02H 01H 0BH 13H
PICTURE MUTE ON	02H 10H 00H 00H 00H 12H
PICTURE MUTE OFF	02H 11H 00H 00H 00H 13H
SOUND MUTE ON	02H 12H 00H 00H 00H 14H
SOUND MUTE OFF	02H 13H 00H 00H 00H 15H

NOTE: Contact your local dealer for a full list of the PC Control Codes if needed.

Cable Connection

Communication Protocol

Baud rate:	19200 bps
Data length:	8 bits
Parity:	No parity
Stop bit:	One bit
X on/off:	None
Communications procedure:	Full duplex



NOTE: Pins 2, 3, 5, 6 and 8 are used inside the projector.