

TRUE-XGA MULTIMEDIA PROJECTOR

SANYO

**PACKED WITH DIGITAL TECHNOLOGY
AND DESIGNED TO PERFORM**



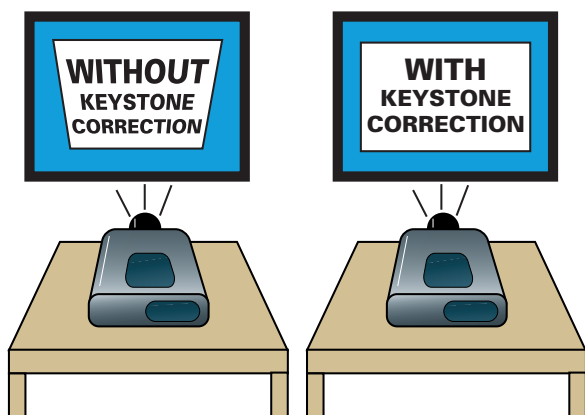
1600 ANSI LUMENS

PLC-XP17N

ADVANCED DIGITAL TECHNOLOGY FOR THE CLEAREST, MOST ACCURATE IMAGES POSSIBLE

Digital Keystone Correction

With the press of a button, SANYO's new digital keystone correction feature compensates for angled projector placement. By digitally and mathematically interpolating an image's pixels, then reconstructing the image, keystoneed (trapezoidal) images are corrected on screen.



Digital Progressive Scanning

Proprietary SANYO digital progressive scanning doubles the video information being sent to the projector, substantially increasing video-image detail and resolution. Interlaced signals (such as video) are processed by the dedicated 16MB Progressive Scan Memory chip and each pixel is monitored using SANYO's original motion detecton algorithm to ensure increased vertical resolution and crisper moving images.

HDTV Compatible

The SANYO PLC-XP17N is High Definition Television compatible, accepting the 1080i, 1035i and 720p HDTV resolution standards.

Digital Realized Video Scaling

SANYO's advanced digital signal processing circuit and automatic color correction circuit ensure the highest color accuracy possible and dramatically enhance image-edge detail. SANYO's Hybrid Enhanced Processing Technology circuit provides analog enhancement for richer colors and digital enhancement for increased definition.

Digital Zoom

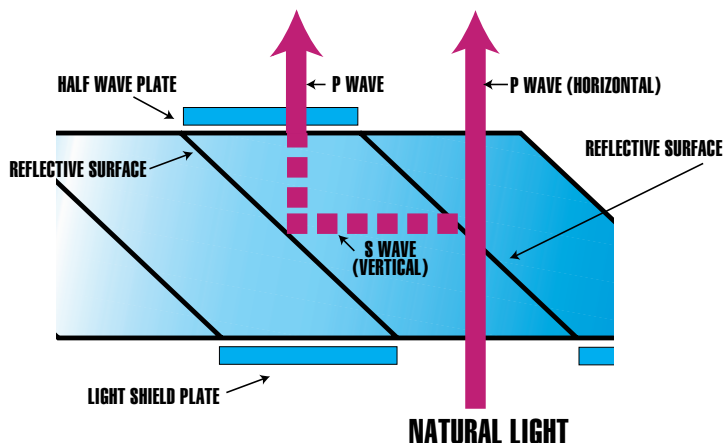
The unit's handy 16x digital zoom feature magnifies specific sections of an image, making presentations bigger and clearer than ever. Unique SANYO technology eliminates jagged edges on small letters and lines so that even highly magnified images appear crisp and clear.

Digital Realized Interpolation Technology (DRIT)

This SANYO revolutionary, proprietary technology digitally and mathematically interpolates an image's pixels, then reconstructs the image by either compressing or expanding it. The principal result of DRIT is the elegant compression of a higher resolution rate or the visually accurate expansion of a lower resolution rate to match the native resolution of the projector.

Polarized Beam Splitter (PBS) Optical System

This cutting-edge SANYO technology helps assure a high uniformity rate and a beam twice as bright as conventional projectors. It combines all of the S-wave light emitted from the unit's lamp with the P-wave light. The result is a super-bright image with nearly the same brightness from side-to-side and top-to-bottom.



HIGH BRIGHTNESS, EASE OF USE, AND VERSATILITY COME TOGETHER IN THE SANYO PLC-XP17N!

In addition to its remarkable brightness and true XGA resolution, the PLC-XP17N is loaded with features. One-Button Auto-Imaging, Plug and Play Operation, a choice of optional lenses and an array of connectivity options make this one versatile, easy-to-use multimedia projector for a wide variety of applications.

Wireless Remote Control with Laser Pointer

The wireless remote control not only comes equipped with a laser pointer, but it also functions as a mouse, allowing the presenter to control the presentation and a PC from across the room! Volume, contrast, brightness, and screen size can be controlled easily as the presenter moves freely about.

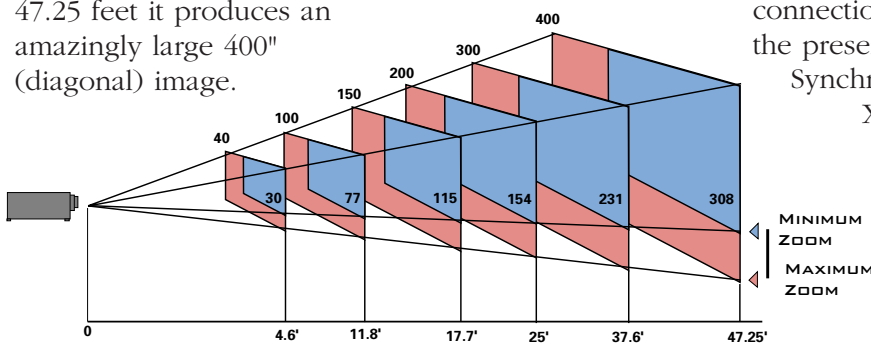


Plug-and-Play Operation

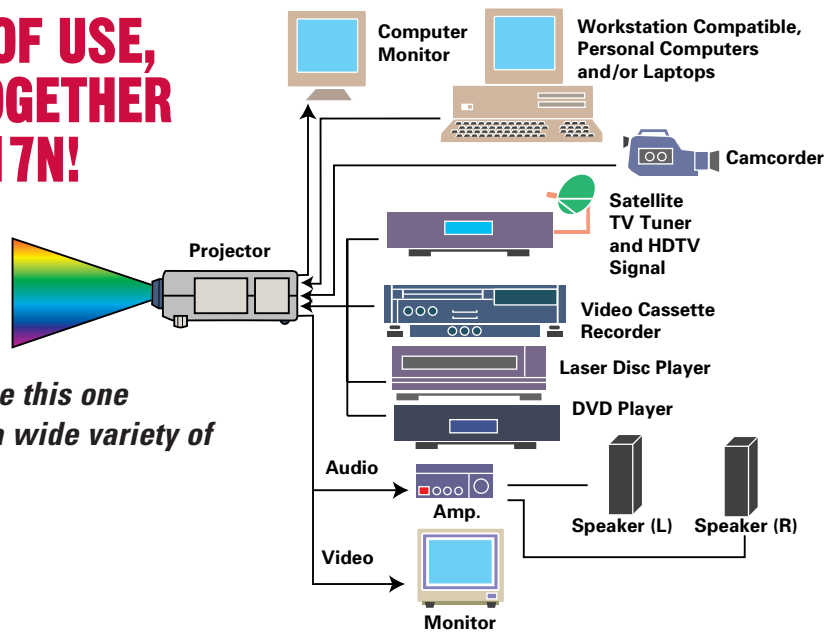
Offering plug-and-play convenience, the PLC-XP17N automatically recognizes the signal coming from the computer and selects the proper settings. There is no complicated setup, so it's easy to get perfect results every time. The SANYO PLC-XP17N projector is the easiest model in its class to set up and run.

Always the Perfect Size

The size of the PLC-XP17N's projection image can be adjusted to suit the presenter's needs. Even at a short distance of 4.6 feet, it projects a bold 40" (diagonal) image. At its maximum throw distance of 47.25 feet it produces an amazingly large 400" (diagonal) image.



STANDARD LENS THROW DISTANCE AND PICTURE SIZE	4.6'	11.8'	17.7'	25'	37.6'	47.25'
Max. Zoom (inches)	40	100	150	200	300	400
Min. Zoom (inches)	30	77	115	154	231	308
Throw Dist. (feet)	4.6'	11.8'	17.7'	25'	37.6'	47.25'



True Multimedia Flexibility

The PLC-XP17N easily connects to an array of computers and AV sources, including laptop PCs, Macintosh and PowerBook systems, VCRs, camcorders, DVD and laser disc players, and satellite and HDTV tuners. Having assorted multimedia capabilities allows presenters to use materials prepared in different media, adding excitement and versatility to any presentation.

Optional Lenses

While the standard lens that comes with the PLC-XP17N gives plenty of flexibility for a wide variety of applications (from small meeting rooms to large conference halls), optional wide-zoom and long-zoom lenses are also available to provide even greater flexibility.

One-Button Auto Imaging Setup

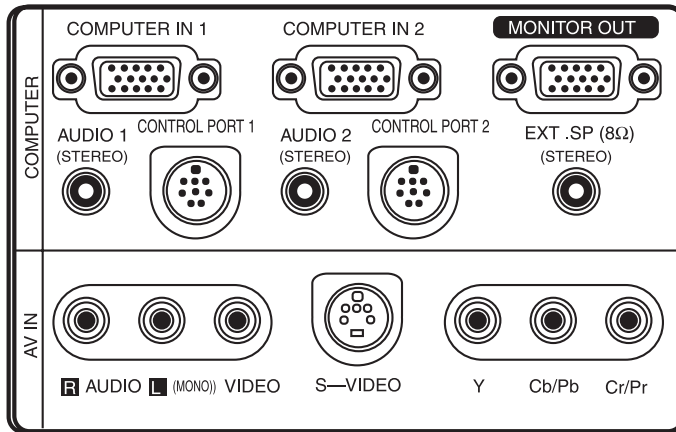
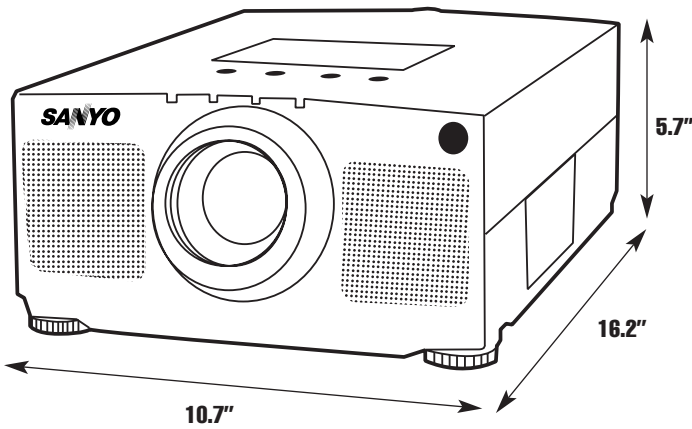
Operating the PLC-XP17N is as simple as making the connections, turning on the sources, and beginning the presentation. Its Auto-Lock Frequency Synchronization makes it compatible with most XGA and SXGA PCs. Its Auto-Set feature automatically sets the fine synchronization, total dot adjustment, and positioning.

Quick Repair Program (QRP)

In the unlikely event that this SANYO projector ever needs warranty service, SANYO's QRP provides a fast 24-to-72-hour turnaround time for repairs. SANYO even pays for freight.

PLC-XP17N

XGA Multimedia Projector



I/O Connection Panel



SPECIFICATIONS

Type	XGA (1024 x 768) Multimedia
Brightness	1600 ANSI Lumens
Uniformity	Over 90% (Corner to Corner)
LCD Panel System	1.3" TFT Polysilicon Type x3
Number of Pixels	2,359,296 (786,432 x 3)
Contrast Ratio	350:1 (ANSI 100:1)
Projection Image	31" to 400" (Diagonal)
Aspect Ratio	4:3 Normal; 16:9 Wide Screen
Throw Distance	4.6' to 47.25'
Zoom/Focus	Powered; 1:1.3 Zoom
Keystone Ratio (U/D)	10:0.5
Digital Keystone Correction	+/-30°
Projection System	X-Type Prism
Projection Lens	f1.9"-2.5", F1.8-2.2 Throw Ratio 1.8--2.4:1
Projection Lamp	200W UHP
Scanning Frequency	H Sync: 15-100kHz V Sync: 50-100Hz
Dot Clock	165MHz
Color System	PAL/PAL-M/PAL-N/SECAM/NTSC/NTSC4.43
Computer Compatibility	Compressed SXGA, XGA, SVGA, VGA, MAC, PC98
Sound Output	Two-Piece, Two-Watt Stereo
Voltage	100/240AC;50/60Hz with Auto Sense, Auto Select
Power Consumption	300W
Dimensions (WxHxD)	10.7" x 5.7" x 16.2
Warranty	Three Years Parts and Labor; 90 Days Lamp; Quick Repair Program Under Warranty
Included Accessories	Wireless I/R Remote Control with Mouse Pad and Laser Pointer; AC Power Supply Cord; VGA Computer Cable; MAC Adapter; PC-Control Cables (Multipole PS2/MAC/Serial); Dust Cover; Lens Cap; Owner's Manual
Optional Accessories	Wide-Zoom and Long-Zoom Lenses; Soft Carrying Case (PLCCSE04); Hard Carrying Case with Wheels and Retractable Handle (PLCCSE05); ATA Shipping Case (PLCCSE06)

Optional Lens Specifications

		
	Wide Zoom	Long Zoom
Part No.	LNS-W30KS	LNS-T30KS
Zoom	Manual	Manual
Throw Ratio	1.3-1.8:1	2.4-4.3:1
F Stop	2.5-3.1	2.0-2.9
Length	7.6"	8.4"
Weight	3.50 lbs.	3.7 lbs.

Because its products are subject to continuous improvement, SANYO reserves the right to change product design and specifications without notice. All dimensions are in inches unless otherwise noted.