



DLP™ PROJECTOR

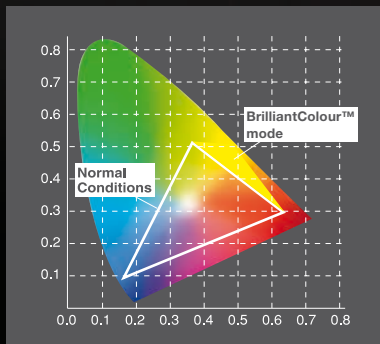
At last, a projector that makes every presentation come to life



XGA XD490U/XD460U

Enhanced colour reproduction with BrilliantColour™ technology.

BrilliantColour™ technology, the ideal choice for radiant yet natural images. Mitsubishi have further enhanced this by developing an original colour wheel with yellow segments, striking a brilliant balance between brightness and colour. Also with five display modes in order to match display requirements, these projectors really project presentations that shine.



Colour Reproduction Graph

Fine detail gradation reproduction

- Newly developed DLP™ data processor (DDP3020)
- High-speed LVDS (low-voltage differential signal) driven
- 10-bit I/P conversion circuit to eliminate jaggies
- DarkChip3™, for high resolution of 1024 × 768

Fully featured

- Virtual Lens Shift*1

*1: "Virtual lens shift" refers to a feature in which the "lens shift" is not actually mounted on the projector. Instead, this function mobilises electrical downsizing of the images projected on the screen to move the projected images up and down and left and right.

- Long Lamp Life upto 5000hrs

- Wall Screen Function*2

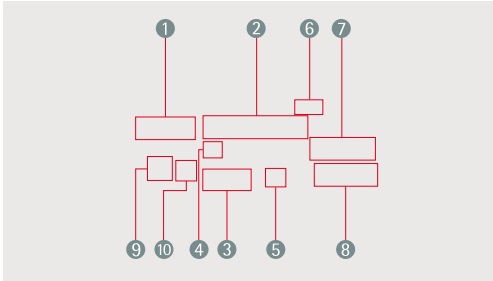
*2: With this function, colours are preset to match the wall colour, enabling colours to be coordinated with natural shades as with standard screen projection.



XD490U/XD460U MOBILE XGA PROJECTOR



Input and Output Terminals



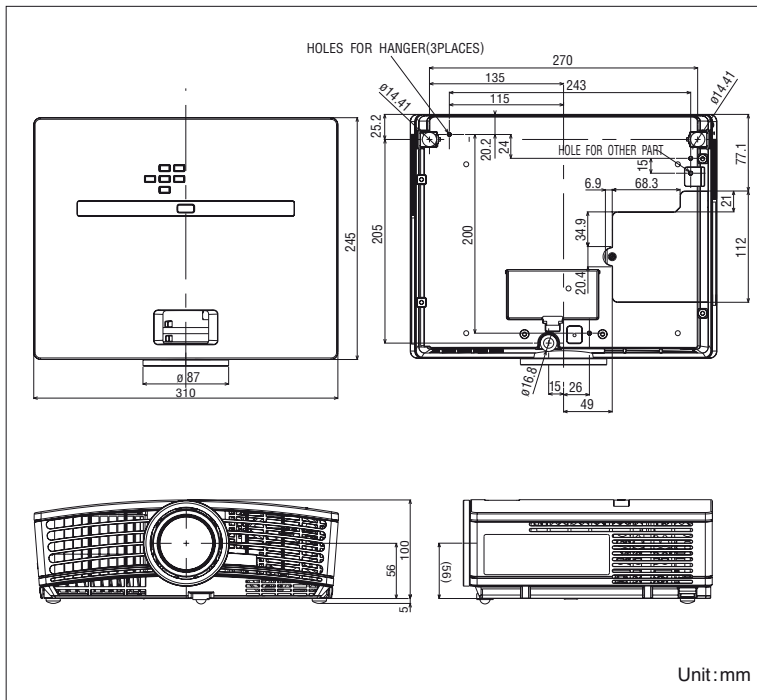
- 1 DVI-D input 5 Audio Out 8 Composite Video
- 2 RGB In × 2 6 Remote IR 9 RS-232C
- 3 RGB Out × 1 7 S-Video 10 USB
- 4 Audio In

Specifications

Model	XD490U	XD460U
Display technology	0.7"1-chip DMD chip, 12deg. LVDS, DarkChip3™ with DDP3020	
Resolution	1024 × 768 (total 786,432 pixels), 600 video lines	
Brightness	3000 lm	2600 lm
Contrast	2500 : 1 (on / off)	
Picture size	40" ~ 300" (100" = 3.3m)	
Source lamp	250W (Shut Off Time 2000Hrs) in eco mode (200W: Shut Off Time 5000Hrs)	
Computer compatibility	640 × 480 ~ 1280 × 1024, True: 1024 × 768, Sync on green available	
Video compatibility	NTSC / NTSC 4.43 / PAL (including PAL - M, N) / SECAM / PAL - 60 Component Video : 480i/p (525i/p), 576i/p (625i/p), 720p (750p 50/60Hz), 1080i (1125i 60Hz), 1080i (1125i 50Hz), 1080i (1250i 50Hz), SCART (RGB + 1Vcomp)	
PC input terminals	DVI-D (with HDCP) × 1, RGB: mini D-sub 15 pin × 2 Audio: Stereo mini jack × 1 (ø 3.5 mm)	
Video input terminals	Video: RCA × 1 + S - video × 1, Audio: RCA (L,R) × 2	
Output terminals	RGB: mini D-sub 15 pin × 1, Audio: Stereo mini jack × 1 (ø 3.5 mm), DC(5V)	
Communication terminals	RS - 232C; 8pin × 1, Mouse ; USB × 1	
Audio speaker	2 W mono	
Fan noise	32dBA (eco mode)	30dBA (eco mode)
Dimensions (W × H × D)	310 × 100 × 245 mm (excluding height adjustment)	
Weight	2.9kg / 6.5lbs	
Power supply	AC100 ~ 120V / 220 - 240V / ±10%, 50 / 60Hz	

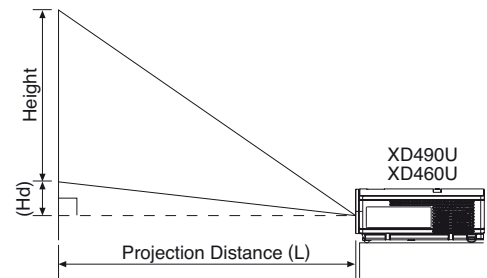
*All brand names and product names are trademarks, registered trademarks or trade names of their respective holders.
*DLP (Digital Light Processing), BrilliantColour™, DarkChip3 are trademarks of Texas Instruments.

Dimensions



Screen size and Projection distance

As seen from the side



Screen size chart (4:3 aspect ratio)

Diagonal Size		Screen				Distance from screen (L)(approximate)				Distance from lens axis (Hd)	
inch	cm	inch	cm	inch	cm	inch	m	inch	m	inch	cm
40	102	32	81	24	61	51	1.3	62	1.6	2.8	7.2
60	152	48	122	36	91	77	2.0	94	2.4	4.3	10.9
80	203	64	163	48	122	103	2.6	125	3.2	5.7	14.5
100	254	80	203	60	152	130	3.3	157	4.0	7.1	18.1
150	381	120	305	90	229	196	5.0	237	6.0	10.7	27.1
200	508	160	406	120	305	262	6.6	316	8.0	14.2	36.2
250	635	200	508	150	381	327	8.3	-	-	17.8	45.2
300	762	240	610	180	457	393	10.0	-	-	21.4	54.3

The above numbers are approximate, and may be slightly different from the actual measurements.

MITSUBISHI ELECTRIC EUROPE

TRAVELLERS LANE, HATFIELD, HERTFORDSHIRE AL10 8XB

Telephone: (01707) 278684 Fax: (01707) 278541 Email: projector.info@meuk.mee.com

For more information about our Projectors, please see the website at:

www.mitsubishielectric.co.uk/vis