



**MITSUBISHI
ELECTRIC**

MULTIMEDIA DATA/VIDEO PROJECTORS

Changes for the Better

4200lm

Brightness

*Driving evolution. Our high-luminosity mobile model,
simply staggering in brightness.*

5000hrs

Long Life Lamp with lamp low mode

XL650U

PORTABLE XGA PROJECTOR



BrightEra™



**With the BrightEra™ panel onboard,
brightness soars to 4200lm**

The newly developed BrightEra™ ~ inorganic orientation film and vertical orientation liquid crystal bring sweeping improvements in light resistance reliability. Paving the way for use of powerful light sources unfeasible in the small panels used to date, ratcheting up portable size class brightness to a dazzling 4200lm. What's more, our new drive system (double-speed field inversion drive) cracks down on the nagging liquid crystal orientation distortion caused by pixel line voltage gaps. The result is a high pixel aperture ratio, raising light use efficiency to a new global benchmark.



1000lm



4200lm

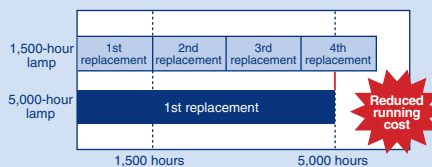
Long Life Lamp ~ Maximum 5,000 hours

Supported by our optimum design for light source lamp temperature control, maximum light source lamp use soars to 5,000 hours.*¹ This makes dramatic reductions in running cost, while likewise slashing replacement hassle for the light source lamp as a consumable part.*²

(*1): When used at the low lamp mode. Maximum lamp life at standard mode use is 2,000 hours. (*2): Lamp life refers to the average time required for brightness to be reduced by half, and not the time specified in the warranty. Use time may vary widely by the environment and conditions, and whether or not cleaning and other maintenance procedures are followed.

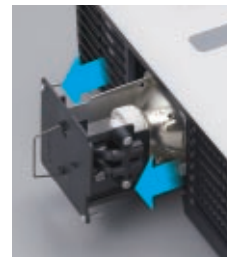
Lamp Replacement Frequency*

(*): Lamp life refers to the average time required for brightness to be reduced by half, and not the time specified in the warranty.



Lamp Side Replacement

The lamp may be removed from the side of the projector unit. This simplifies replacement without turning the projector around or over when suspended from the ceiling or resting on a shelf.



Security Anchor

A robust key-lock chain may be passed through the projector hook. This reliable anti-theft measure helps prevent unauthorized removal of the projector unit from the premises.



Note: Mitsubishi Electric cannot accept responsibility for thefts occurring despite use of this safety feature.



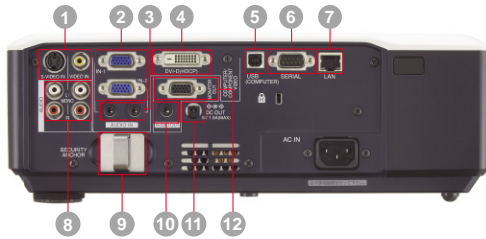
XL650U

PORTABLE XGA PROJECTOR



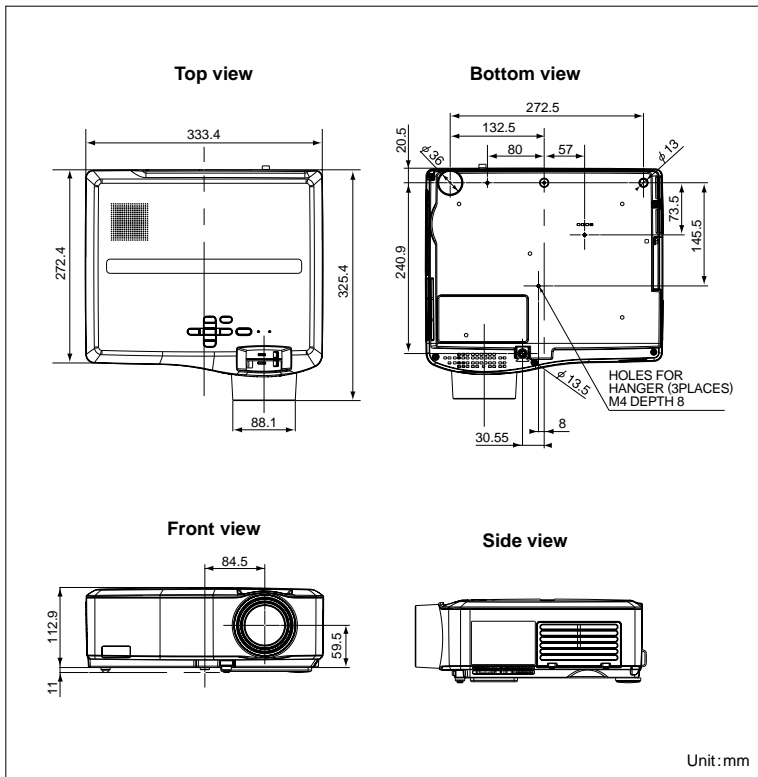
Input and Output Terminals

Enhanced terminal group realizes a versatile range of presentations.



- 1 S-Video / Video input
- 2 PC / Component Video input (mini D-sub 15pin)
- 3 PC / Audio input
- 4 DVI-D (with HDCP) input
- 5 USB terminal for mouse control
- 6 Serial RS-232C (D-sub 9pin)
- 7 LAN (RJ-45)
- 8 Video / Audio input (mini D-sub 15pin)
- 9 Security Anchor
- 10 Audio output
- 11 DC Out 5V 1.5A (Max)
- 12 Monitor output

Dimensions



Specifications

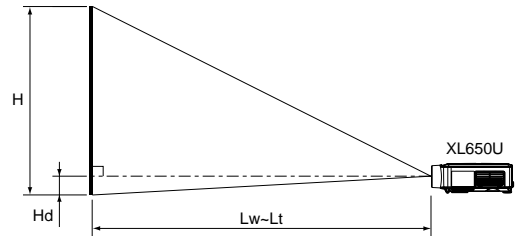
Model	XL650U
Display technology	0.8"3-LCD (with Micro Lens)
Resolution	1024 x 768 (total 786,432 pixels), 600 video lines
Brightness	4200lm
Contrast	600: 1 (on/off)
Projection lens	f=24-29mm, F1.7-1.9
Picture Size	40"~300" (100"=3.0~3.6m)
Source lamp	220W (Shut Off Time 5000Hrs) with Low Mode 261W (Shut Off Time 2000Hrs)
Computer compatibility	640 x 480~1600 x 1200 True: 1024 x 768, Sync on green available
Video compatibility	NTSC/NTSC4.43/PAL (including PAL-M, N)/SECAM/PAL-60, Component Video: 480i/p(525i/p), 576i/p(625i/p), 720p (750p 50/60Hz), 1080i(1125i 50/60Hz), SCART (RGB+1V sync)
PC input terminals	PC: mini D-sub 15pin x 2, DVI-D (with HDCP) x 1, Audio: stereo mini (3.5) x 2
Video input terminals	Video: RCA x 1, S-video x 1, Audio: RCA (L,R) x 2
Output terminals	Monitor Out: mini D-sub 15pin x 1, DC Out: 5V 1.5A (MAX) Audio: stereo mini (3.5) x 1
Communication terminals	LAN (RJ-45) x 1, RS-232C (D-Sub 9 pin) x 1, USB terminal for mouse control x 1
Audio speaker	3W mono
Dimension (W x H x D)	333 x 113 x 272mm (excluding height adjustment)
Weight	4.7kg / 10.4lbs
Power supply	AC100 - 240V, 50/60Hz
Optional lamp	VLT-XL650LP

* BrightEra and BrightEra are trademarks of Sony corporation.

* All brand names and product names are trademarks, registered trademarks or trade names of their respective holders.

Screen size and Projection distance

As seen from the side



Screen size chart (4:3 aspect ratio)

Diagonal size		Screen				Distance from screen (L)				Height projected image (Hd)	
		Width (W)		Height (H)		Maximum Zoom		Minimum Zoom			
inch	cm	inch	cm	inch	cm	inch	m	inch	m	inch	cm
40	102	32	81	24	61	46	1.2	56	1.4	2.4	6
60	152	48	122	36	91	70	1.8	85	2.2	3.6	9
80	203	64	163	48	122	94	2.4	114	2.9	4.8	12
100	254	80	203	60	152	118	3.0	142	3.6	6.0	15
150	381	120	305	90	229	177	4.5	215	5.5	9.0	23
200	508	160	406	120	305	237	6.0	287	7.3	12.0	31
250	635	200	508	150	381	297	7.5	359	9.1	15.0	38
300	762	240	610	180	457	357	9.1	-	-	18.0	46

The above numbers are approximate, and may be slightly different from the actual measurements.

Option



Lamp
VLT-XL650LP

MITSUBISHI ELECTRIC CORPORATION
HEAD OFFICE : TOKYO BLDG., 2-7-3, MARUNOUCHI, CHIYODA-KU, TOKYO 100-8310, JAPAN

To find out more about XL650U and our projectors, visit us at

Global.MitsubishiElectric.com/projectors/