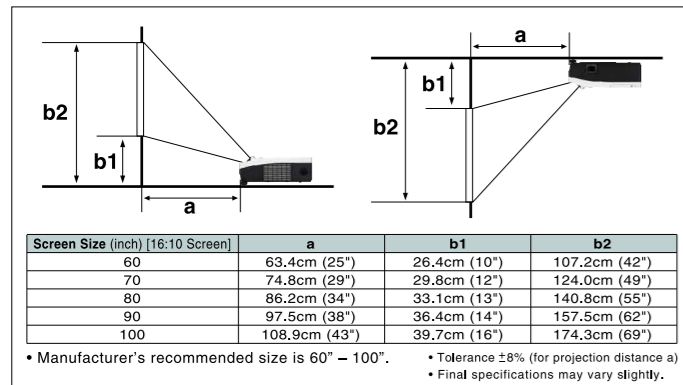


WXGA Short Throw LCD Projector
CP-DW10N

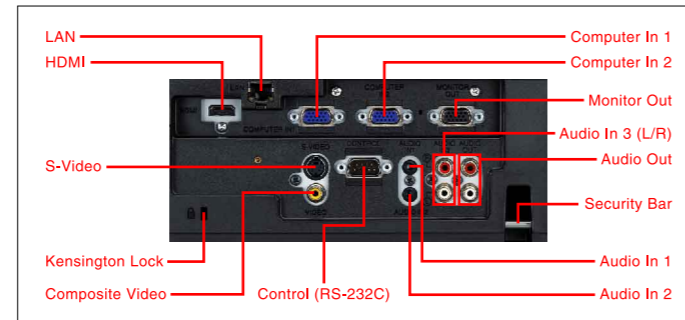
SPECIFICATIONS

Model name	CP-DW10N
Liquid crystal panel	0.59" (1.5cm) polysilicon active-matrix TFT x 3
Number of pixels	1,024,000 pixels (H1,280 x V800)
Resolution	1,280 x 800 color pixels (WXGA)
Digital zoom	x1.3
Lamp	180W UHB
Light output (brightness)	2,000 Lumens
Contrast ratio	400:1
Audio	10W
Keystone correction	Manual Vertical Keystone
Power supply	AC100-120V/AC220-240V
Operating temperature	5-35°C (41-95°F)
Input signals	Computer input: VGA, SVGA, XGA, WXGA, SXGA, SXGA+, UXGA, MAC16" Video input: NTSC, NTSC4.43, PAL, SECAM, M-PAL, N-PAL, PAL (60Hz) HDTV: 720p, 1080i, 1080p SDTV: 480i, 480p, 576i, 576p
Input/output terminals	Video input: S-Video: Mini Din 4-pin x 1, Composite video: RCA jack x 1 Component video: via D-sub x 2 Audio input: Stereo Mini jack x 2, RCA jack x 2 (L/R) Computer input: Analog RGB: 15-pin Mini-Dsub x 2 HDMI input: HDMI x 1 Audio output: RCA jack x 2 (L/R) Monitor output: Analog RGB: 15-pin Mini-Dsub x 1 Control: 9-pin Dsub x 1 for RS232C Wired network (LAN): RJ-45 x 1
Agency certifications	UL/cUL, FCC Part15 class B, AS/NZS CISPR22 class B, CE, RoHS, GOST-R
Dimensions (WxHxD)	333 x 103 x 303mm (13.11" x 4.06" x 11.93") [excluding protruding part]
Weight	3.7kg (8.2 lbs.)
Standard accessories	Computer cable, Remote Control, Batteries, Lens cover and strap, Power cord, User's manual, Security label

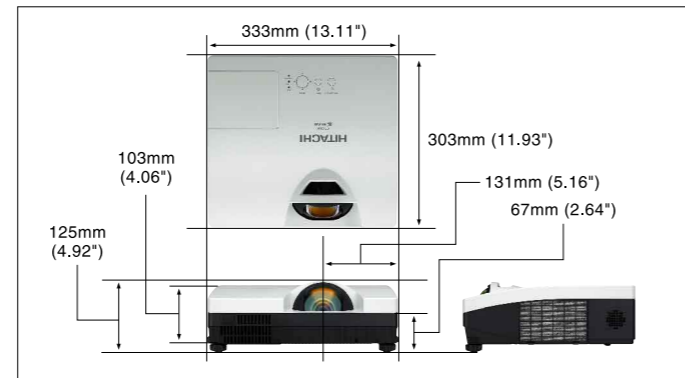
PROJECTION DISTANCE



TERMINALS



DIMENSIONS



OPTIONAL ACCESSORIES



For teachers and students

- WXGA
- Short Throw Length
- HDMI Input
- 10W Speaker

For managers

- Network Functions
- Hybrid Filter
- Easy Maintenance
- Security Functions

Environmentally Friendly Products and Services

■ **Use of environmentally friendly materials**

- In compliance with RoHS 6 restricted materials, unleaded solder and harmless substitutes of hexavalent chrome in screws and steel sheets are used.
- No use of bromine or halogen incombustible compounds in cabinets.
- Use of paint-less cabinets.
- No use of vinyl chloride in mechanical parts.
- Use of recyclable carton boxes.

■ **Reduction of resin usage in production**

Use of hot runners in molds for making upper housing in order to reduce mill ends.

- This catalog is printed on recycled paper and using environmentally friendly soy-based ink.

■ **Reduction of CO₂ emissions***

Carton size has been reduced, so 1.8 times more cartons can be carried with each load, reducing CO₂ emissions during transport.
* Compared to Hitachi CP-A100 ultra-short throw projector.

■ **Power saving mode engaged during stand-by**

■ **ECO mode**

ECO mode provides power saving according to usage conditions.

■ **Facilitating separation of recyclables**

Raw materials indicated on plastic parts.

• Design and specifications are subject to change without notice.

- The projected images and comparison photos in this catalog are simulations.
- LCD panels, polarizers and other optical components and cooling fans may need replacement after prolonged usage. For more details, please consult a Hitachi sales representative.
- Do not use in places where there is a lot of water, dampness, steam, dust, soot or tobacco smoke. This may result in fire or malfunction.
- Optical components (lamp, LCD panel, polarizing plate, PBS (polarizer beam splitter)) have limited service lives. They must be repaired or replaced if they are used for a long period of time.
- These projectors use a mercury lamp with high internal pressure. Because of its properties, this lamp may burst with a loud noise or burn out if struck or after it has been used for a period of time. The time until it bursts or burns out varies greatly according to differences between lamps and usage conditions. Turning the lamp's power on and off frequently shortens its service life.
- Optical components other than the lamp: If the projector is used for six hours or more per day, they may need to be replaced in less than a year.
- LCD panel: If the projector is used continuously for six hours or more, its replacement cycle may be shortened.
- Do not turn projector on again for ten minutes after shutdown. Neglect can shorten the lifetime of the lamp. During use and immediately after use, do not touch anywhere near the lamp and the vents as these parts are extremely hot.
- HDMI, the HDMI logo and High-Definition Multimedia Interface are trademarks of registered trademarks of HDMI Licensing LLC.



Hitachi, Ltd. Consumer Business Group has received ISO 14001 certification.

HITACHI

ProSelecta

View :: Compare :: Select - www.ProSelecta.com

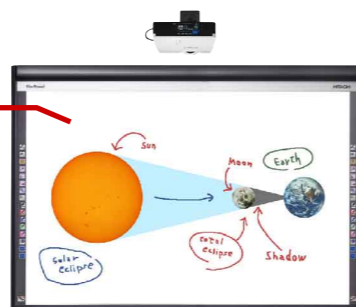


The projector with WXGA, short throw capability, network functions and other features that will fully satisfy teachers, students and administrators

■ WXGA (1,280 x 800) Capability

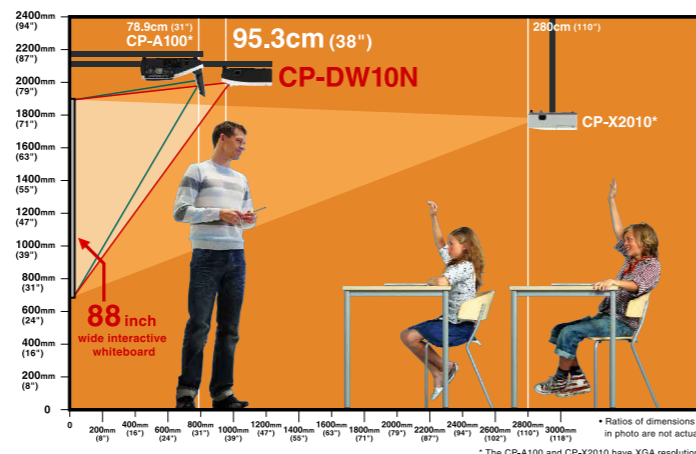
Featuring WXGA resolution, the CP-DW10N is capable of displaying wide and large images with excellent clarity. This means it can project large images in classrooms and other rooms with limited ceiling height. It will show, for example, wide images on 88" interactive whiteboards in classrooms. Another benefit of the wide WXGA image is that it gives small elementary school students easier access from top to bottom of the whiteboard. And the ability to handle wide signals means it can display true images from notebook computers.

88 inch
wide interactive
whiteboard
WXGA
(1,280 x 800)



■ Short Throw Length

Employing a new free-shaped plastic lens, the CP-DW10N achieves a short throw distance of only 95.3cm/38 inches on an 88-inch wide interactive whiteboard. Because it can project a large image from directly in front of an interactive whiteboard, teachers can conduct enjoyable lessons using limited classroom space more effectively. Lessons can proceed without anyone being distracted by the projector's light source, and the teacher's shadow is not cast on the screen, so students can concentrate on the images. In addition, a new optics systems offers improved light efficiency and distortion level.* * In comparison to CP-A100.



WXGA Short Throw LCD Projector
CP-DW10N



For teachers and students features that make lessons more effective.

■ Template Function*

When projecting onto a whiteboard, blackboard and so on, this function projects lines, making writing on the board easier. You can choose four types of lines. Furthermore, template function offers a world map; the center city can be moved in 24-hour steps. It can also display circles.

* Patent pending



Black lines on a white grid

World map

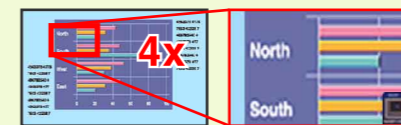


Black lines on a white background

Circles

■ Partial magnification function

The projector can magnify part of the image up to 4 times*. The zoom position guide can provide an on-screen display, so while viewing the image, you can magnify it with the remote control. * With computer signal input.



■ HDMI Input

The CP-DW10N has an HDMI input terminal for receiving digital video signals. By keeping the signal in the digital domain, it projects high quality images that are faithful to the original signal. You can enjoy beautiful digital images and clear sound by connecting a single cable.

■ 10W Internal Speaker

Thanks to the built-in 10W high power speaker, there is no need to connect external speakers. Even if the rooms do not have speakers, the sound will be clearly heard back to the rear seats.

For managers features that make administration and maintenance easier.

■ Messenger

The Messenger function transmits text data to the projector via a network, so the projector can display it. Four types of display are possible: Horizontal Scrolling, Box, Pop-on and Picture Side. This is an easy and efficient way to send campus-wide announcements.

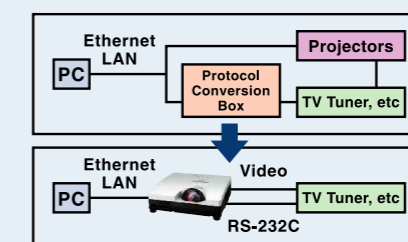
Messenger function is ideal for:

- Campus Notifications • School Activities
- Daily Schedules • Community/Local News
- This function is not intended or guaranteed for the distribution of warning messages created by security systems.



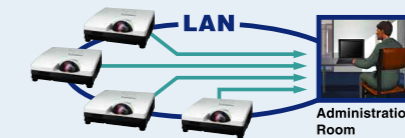
■ Network Bridge Function

The CP-DW10N Network Bridge function allows for commands to be passed through its LAN port and sent to another device connected to the RS-232C output, such as an external TV Tuner or control panel. This helps to simplify and lower the costs of cabling and installation.



■ Centralized Reporting

With just one PC in an administration room, you can collect reports from all projectors connected to the network.



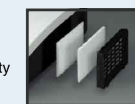
■ Convenient Networking

Embedded networking gives you the ability to manage and control multiple projectors over your LAN. Scheduling, e-mail alerts, and image transfer (MY IMAGE) are just some of the functions available via LAN.

■ Hybrid Filter

Thanks to the Hybrid Filter, maintenance and cleaning are much less frequent, making longer operation possible. Filter maintenance frequency has been improved from every 400 hours to every 4,000 hours.

* Actual filter maintenance necessity varies according to environment.



■ Easy Maintenance

The lamp door is on the top and the filter cover on the side, so maintenance and replacement of these parts can be done easily.



■ Versatile Security Functions

This projector is equipped with a security bar that allows the easy attachment of a security chain. By using the PIN Lock the CP-DW10N can limit the number of users. The MyScreen function can be used to identify the owner. It also is protected by a PIN Lock. A Transition Detector can prevent unauthorized use of the projector.



■ Other Features

- Low Noise of 28dB* (ECO Mode) • Audio Pass Through • Power Saving Mode
- Blackboard or Whiteboard Modes • Input Source Naming • 4-Second Quick Start
- Direct Power On/Off • Daytime Mode
- 3:2 Pull Down • Noise Reduction • Motion Adaptive Progressive Scan • Equalizing Gamma Function • Resolution Preset and Custom Modes • My Button • My Text
- Manual Vertical Keystone Correction • Serial No. Label on Side • Security Label Included
- My Source/Document Camera Button on Remote Controller • Closed Caption
- Compatible with AMX Device Discovery

* Typical. Tested in 23°C environmental conditions.