

Panasonic

DLP™-Based SXGA Projector

PT-D7600U

DLP™-Based XGA Projector

PT-D7500U

The World's
Lightest 3-Chip
DLP™-Based
Projectors



- DLP™ image quality
- 6000/5000 ANSI brightness
- 1000:1 contrast ratio
- Digital Cinema Reality™
- High-speed DSP chips
- Wide lens selection
- Abundant connection terminals
- Optional board modules
- Quiet operation
- Built-in multi-screen processor
- Color matching
- Edge blending
- BriteOptic™ Dual Lamp system
- Network function
- Dust-free construction
- Mechanical shutter
- Momentary switch


A TEXAS INSTRUMENTS TECHNOLOGY

ProSelecta

View :: Compare :: Select - www.ProSelecta.com

The New State of the Art in Image Projection

With the PT-D7600U and PT-D7500U, Panasonic packs a host of leading-edge optical and digital technologies into a sleek, compact body. Superior image quality and light weight make these models the portable projector solutions you've been waiting for.

Digital Light Processing™ (DLP™), a Texas Instrument technology, provides crisp, high-resolution images and forms the base for the ultimate projector engine: the 3-chip DLP™ system. In the past, image quality this remarkable was possible only with a large, heavy projector. Panasonic found ways to cut size without cutting image quality. The PT-D7600U and PT-D7500U weigh in at just 43.6 pounds (19.8 kg), making them the world's lightest 3-chip DLP™ system projectors.

The PT-D7600U and PT-D7500U present a host of new application possibilities. Never before has such superb image quality been available in units so portable. Add in their big advantages in installation and maintenance, and the scene is set for you to bring a high-performance DLP™-based projector to places not previously possible.

The PT-D7600U and PT-D7500U offer a wide range of connection terminals and a broad selection of options, including lenses and input board modules. Both models feature the BriteOptic™ dual lamp system and dust-free construction, which help extend operation and reduce maintenance.



Mounting an optional network board gives you LAN-based remote control from your PC Web browser.



A choice of nine optional lenses — each with click-in mounting ease — ensures a perfect match for any application.

Compact Size—A New Dimension in DLP™ Projection

3-Chip DLP™ System in a Sleek, Compact Body

The World's Lightest DLP™-Based Projector

The PT-D7600U and PT-D7500U combine Panasonic's new-generation 3-chip DLP™ system with a new optical system developed using our original technology. We also dramatically reduced the cabinet size, creating a unit with the same brightness as our top-end model but only one-fifth the volume. This feat of design and technology achieved the world's lightest* 3-chip DLP™ projector units. With a weight of 43.6 pounds (19.8 kg), the PT-D7600U and PT-D7500U can go places no other 3-chip DLP™ projector unit has ever gone before. *As of August 2002.



nologies that maximize these DLP™ advantages. The PT-D7600U delivers 6,000 ANSI lumens and the PT-D7500U gives 5,000 ANSI lumens of brightness, offering superior color reproducibility.

1,000:1 Contrast Ratio

Panasonic's sophisticated optical system has achieved a remarkable 1,000:1* contrast ratio. This combines with an outstanding brightness for crisp, high-resolution images in virtually any viewing environment. Contrast can be switched between High and Normal as conditions require. Ideal for cinema viewing applications.

*With the optional super-contrast (SC) lens in High contrast mode.

Digital Processing

The PT-D7600U and PT-D7500U incorporate a host of Panasonic-developed video-processing technologies designed to ensure superior reproduction of moving pictures from a variety of sources.

- High-speed DSP chips enable interlaced-to-progressive (IP) conversion for HD sources, complete with digital cinema reality (DCR) and digital noise reduction (DNR).
- The built-in digital detail enhancer checks and

- progressive processing optimized for 24 or 30 frame/sec sources, helping to reproduce the image with quality faithful to the original.
- Full digital format compatibility (optional).
- High resolution: PT-D7600U: SXGA native, UXGA max., PT-D7500U: XGA native, UXGA max.

Flexible Installation and Wide Connectivity

More Installation Flexibility

Packing a 3-chip DLP™ system in a compact, lightweight body, the PT-D7600U and PT-D7500U present new application and system possibilities. Each is also designed for quick, easy, flexible installation. The PT-D7600U and PT-D7500U end the trade-off between image quality and portability—they give you both. Now you can bring a high-performance DLP™-based projector to places where in the past it was too difficult. Two types of optional ceiling mount brackets are available with the PT-D7600U and PT-D7500U. The dual stacking mount bracket lets you double the brightness—12,000 ANSI lumens for the PT-D7600U and 10,000 ANSI lumens for the PT-D7500U.

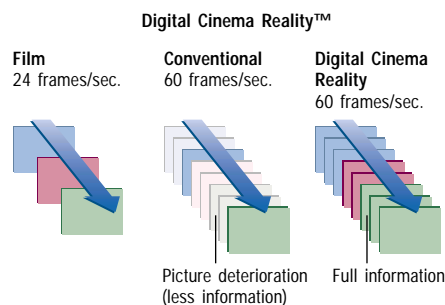


DLP™ Image Quality and 6,000/5,000 ANSI Brightness

DLP™ technology delivers outstanding image resolution. In the 3-chip DLP™ system—considered among the world's most advanced projector engines—a Digital Micromirror Device™ (DMD™) chip is allocated to each of the red, green, and blue signals. This gives the DLP™ system superior light utilization for high brightness, digital processing for low noise and linear white balance, extended device life for minimal image degradation, and a quick response that eliminates afterimages. The PT-D7600U and PT-D7500U incorporate digital and optical tech-

corrects the quality of 368,000 pixels in each image to improve sharpness and clarity.

- The Digital Cinema Reality™ circuit provides



Digital Cinema Reality circuit preserves full image quality as it converts each frame of a movie source to TV signals.

Wide Lens Selection

A choice of nine optional lenses accommodates a wide range of projection sites. Choose from eight powered zoom/focus lenses and one fixed short-focus lens. All lenses feature easy, click-in mounting. All provide wide-range, motor-driven vertical and horizontal lens shifting.

Connection Terminals

The PT-D7600U and PT-D7500U feature two RGB inputs (RGB 2 IN can be switched for use as a monitor loop-through OUT for RGB 1), a composite video input and output, and an S-Video input.

They also offer RS-232C/422 input and output, two remote inputs, and one remote output.



Connection terminals

An optional board module can be added for more connection flexibility.

Optional Board Modules

In addition to the supplied connection terminals, an optional board module can be selected from a total of seven boards to match a variety of input source signals, including digital serial component signals.

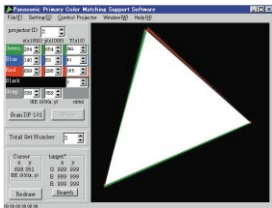
Quiet Operation

The PT-D7600U and PT-D7500U are designed for quiet operation. A newly developed fluid-cooled optical system and newly designed noise-suppression duct and control system help minimize operating noise. The fan rotation can now be adjusted in finer steps, so fan noise is reduced when rotation adjusts to match room temperature changes; this helps minimize sudden increases in fan noise during operation. Fan noise when switching the power off has also been reduced.

Multi-Screen Projection

Color Matching

When several units are used together, this function corrects for slight variations in the color reproduction range of individual projectors. The PC software assures easy, accurate control. To simplify the set-up process, you can adjust the projectors before delivery to the presentation site. The



Color-matching software

color-matching function accommodates up to nine units, for multi-screen or single screen presentation.

Edge Blending

This function controls the brightness at overlapping image edges to assure uniform, natural-looking, multi-screen images. When projecting HD sources with a single projector, part of the DMD™ device is unused. In multi-screen projections with two projectors, the DMD™ devices increase the image's horizontal resolution while maximizing vertical resolution.



With edge blending

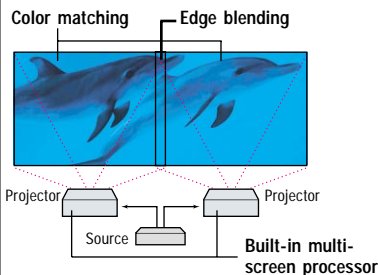


Without edge blending

Overlapping image edges

Built-in Multi-Screen Processor

The PT-D7600U and PT-D7500U can project large, multi-screen images without any additional equipment. Up to 100 units (10 x 10) can be edge-blended at a time.



The built-in multi-screen processor enables enlarged multi-screen projection without using any additional special equipment. Color matching and edge blending make it easier to obtain proper multi-screen picture quality.

Maintenance and Reliability

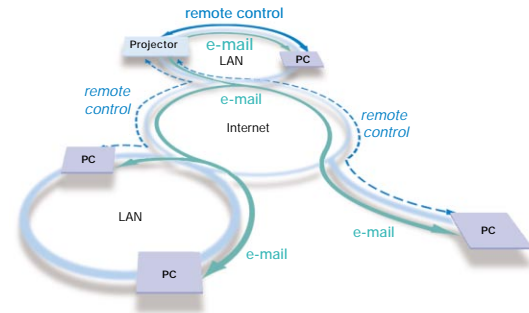
BriteOpt™ Dual Lamp System

The use of two lamp systems increases brightness and eliminates the need to interrupt a presentation if a lamp burns out (in dual lamp operation mode). In single lamp operation mode, the lamp auto changer function allows non-stop operation 24 hours a day for a full 365 days.

Network Function

Optional interface boards for 10Base-T and 100Base-TX make the PT-D7600U and

PT-D7500U network-ready. With one of these boards mounted, all functions can be controlled from a personal computer on a local area network (LAN) via a standard Web browser without any additional software. By assigning a TCP/IP address to the projectors, you can monitor their operation over LAN or the Internet. The PT-D7600U and PT-D7500U will even send an e-mail message to alert you of any operating errors or notify you when a lamp needs to be replaced, providing an advanced level of maintenance ease and reliability.



Dust-Free Construction

The dust-free design helps ensure that your 3-chip DLP™ projector will continue to deliver crisp, sharp, high-resolution images over an extended service life.

Other Key Features

- Mechanical shutter completely blocks light leakage when there is no signal input
- Momentary switching for RGB/Video input without disrupting the image
- 96 user memories
- Wireless/wired remote control unit with wireless mouse function
- ID assignment for up to 65 units
- Coordinated group control for up to 26 groups (A-Z)
- Picture in picture (cannot be used with some main/sub input source combinations)
- Digital keystone correction (horizontal and vertical)
- 3x digital zoom
- Built-in test pattern
- Selectable 7-language on-screen menu (English, German, French, Spanish, Italian, Chinese, Japanese)



Wireless/wired remote control

Options for More Flexible Installation

Lenses _____ Boards _____ Brackets _____



1.5-2.0:1 zoom lens
ET-D75LE1
ET-D75LE1SC (super-contrast lens)

2.0-3.0:1 zoom lens
ET-D75LE2
ET-D75LE2SC (super-contrast lens)

3.0-5.0:1 zoom lens
ET-D75LE3
ET-D75LE3SC (super-contrast lens)

5.0-8.0:1 zoom lens
ET-D75LE4
ET-D75LE4SC (super-contrast lens)

0.8:1 fixed-focus short-throw lens
ET-D75LE5



Network board
ET-MD75NT



DVI board
ET-MD75DV



SDI (480i/576i) input board
ET-MD95SD1



SDI (480i/576i/480p) input board
ET-MD95SD2



SDI (720p/1035i/1080i/1080-24p) input board
ET-MD95SD3



Analog RGB input board
ET-MD95RGB



Video/S-Video input board
ET-MD95VM2

Lamps _____

Replacement lamp unit
ET-LAD7500



Replacement lamp units
(Twin pack of ET-LAD7500 lamp units)
ET-LAD7500W

Ceiling mount bracket
ET-PKD75

Low ceiling mount bracket
ET-PKD75S

Dual stacking mount bracket
ET-DFD75

Handle _____

Carrying handle
ET-HAD75

Receiver _____

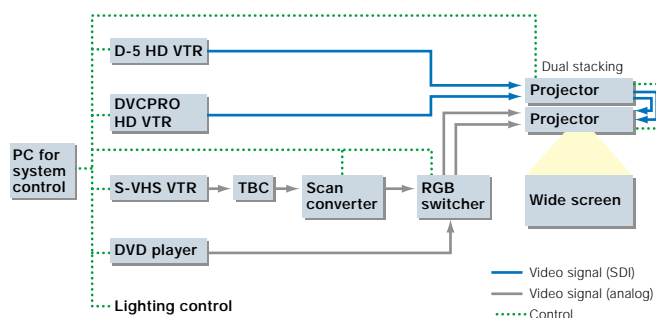
Wireless mouse receiver
ET-RMRC

A Wide Variety of Applications

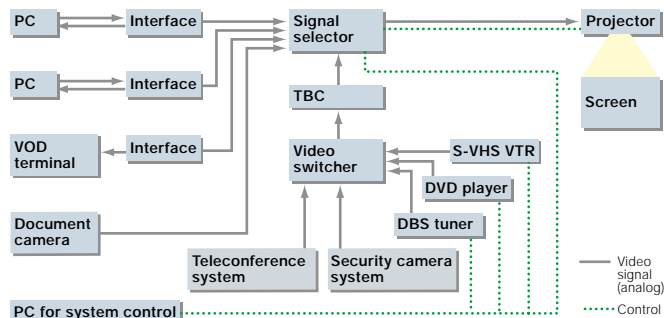
The PT-D7600U and PT-D7500U provide the quality and performance needed in almost any application. Use them in meeting rooms, theaters, museums, convention halls, public spaces, schools, research labs—anyplace where bright, beautiful images are a plus. Also, the superb resolution made possible by 3-chip DLP™ technology delivers images with exceptional detail and accuracy. This makes these projectors suitable for use as main systems for monitoring traffic or electric power, or in operation centers such as police or fire and air traffic control centers.



System example: High-definition theater



System example: Multi-media presentation



Projection Distance

PT-D7600U

Diagonal image size (aspect ratio: 5:4)	Distance to screen										
	ET-D75LE1/D75LE1SC 1.5-2.0:1		ET-D75LE2/D75LE2SC 2.0-3.0:1			ET-D75LE3/D75LE3SC 3.0-5.0:1			ET-D75LE4/D75LE4SC 5.0-8.0:1		ET-D75LE5 0.8:1 fixed
	min.	max.	min.	max.	min.	max.	min.	max.	min.	max.	
1.8 m / 5.8' (70)	2.2 m / 7.1'	2.9 m / 9.5'	2.9 m / 9.6'	4.4 m / 14.5'	4.4 m / 14.5'	7.4 m / 24.3'	7.4 m / 24.3'	12.0 m / 39.3'	1.1 m / 3.7'		
2.5 m / 8.3' (100)	3.1 m / 10.3'	4.2 m / 13.7'	4.2 m / 13.8'	6.3 m / 20.8'	6.4 m / 20.9'	10.6 m / 34.9'	10.6 m / 34.9'	17.1 m / 56.2'	1.6 m / 5.3'		
5.1 m / 16.7' (200)	6.3 m / 20.8'	8.4 m / 27.7'	8.5 m / 27.9'	12.8 m / 42.0'	12.8 m / 42.0'	21.4 m / 70.2'	21.4 m / 70.2'	34.4 m / 112.8'	3.2 m / 10.6'		
7.6 m / 25.0' (300)	9.5 m / 31.3'	12.7 m / 41.7'	12.8 m / 42.0'	19.2 m / 63.1'	19.3 m / 63.2'	32.1 m / 105.4'	32.1 m / 105.5'	51.6 m / 169.4'	4.9 m / 15.9'		
10.2 m / 33.3' (400)	12.7 m / 41.8'	17.1 m / 55.8'	17.1 m / 56.1'	25.7 m / 84.3'	25.7 m / 84.4'	42.9 m / 140.7'	42.9 m / 140.7'	68.9 m / 226.0'	-		
15.2 m / 50.0' (600)	19.2 m / 62.8'	25.5 m / 83.8'	25.7 m / 84.2'	38.6 m / 126.7'	38.6 m / 126.7'	64.4 m / 211.3'	64.4 m / 211.3'	103.3 m / 339.1'	-		

PT-D7500U

Diagonal image size (aspect ratio: 4:3)	Distance to screen										
	ET-D75LE1/D75LE1SC 1.87-2.5:1		ET-D75LE2/D75LE2SC 2.5-3.75:1			ET-D75LE3/D75LE3SC 3.75-6.25:1			ET-D75LE4/D75LE4SC 6.25-8.0:1		ET-D75LE5 1.0:1 fixed
	min.	max.	min.	max.	min.	max.	min.	max.	min.	max.	
1.8 m / 5.8' (70)	2.8 m / 9.2'	3.7 m / 12.3'	3.8 m / 12.4'	5.7 m / 18.6'	5.7 m / 18.8'	9.5 m / 31.1'	9.5 m / 31.1'	15.5 m / 50.7'	1.4 m / 4.6'		
2.5 m / 8.3' (100)	4.0 m / 13.3'	5.4 m / 17.7'	5.4 m / 17.9'	8.2 m / 26.8'	8.2 m / 27.0'	13.6 m / 44.5'	13.6 m / 44.6'	22.1 m / 72.6'	2.0 m / 6.7'		
5.1 m / 16.7' (200)	8.2 m / 26.8'	10.9 m / 35.7'	11.0 m / 36.0'	16.4 m / 53.9'	16.6 m / 54.4'	27.3 m / 89.5'	27.3 m / 89.5'	44.3 m / 145.5'	4.2 m / 13.7'		
7.6 m / 25.0' (300)	12.2 m / 40.3'	16.4 m / 53.8'	16.5 m / 53.1'	24.7 m / 81.0'	24.9 m / 81.7'	41.0 m / 134.4'	41.0 m / 134.5'	66.6 m / 218.4'	6.3 m / 20.6'		
10.2 m / 33.3' (400)	16.4 m / 53.8'	21.9 m / 71.8'	22.0 m / 72.2'	33.0 m / 108.1'	33.2 m / 109.0'	54.7 m / 179.4'	54.7 m / 179.4'	88.8 m / 291.3'	-		
15.2 m / 50.0' (600)	24.6 m / 80.8'	32.9 m / 107.8'	33.1 m / 126.7'	49.5 m / 162.3'	50.0 m / 163.7'	82.1 m / 269.3'	82.0 m / 269.3'	133.2 m / 437.1'	-		

Specifications

System	DLP™ system
Device	
PT-D7600U	0.9" (diagonal) DMD™ (x 3), 5:4
PT-D7500U	0.7" (diagonal) DMD™ (x 3), 4:3
Pixels	
PT-D7600U	1,310,720 (1,280 x 1,024) x 3
PT-D7500U	786,482 (1,024 x 768) x 3
Lamp	300 W UHM™ lamp x 2 (BriteOptic™ Dual Lamp System)
Lamp life	1500 hours (lamp power: high) 2000 hours (lamp power: low)
Brightness	
PT-D7600U	6000 ANSI lumens (dual lamp) 3000 ANSI lumens (single lamp)
PT-D7500U	5000 ANSI lumens (dual lamp) 2500 ANSI lumens (single lamp)
Contrast ratio	1000:1 with SC lens (full white/full black, contrast: high) 600:1 with standard lens (full white/full black, contrast: normal)
Resolution	
RGB PT-D7600U	1280 x 1024 pixels
PT-D7500U	1024 x 768 pixels
Video	560 TV lines
Lens	Optional
Screen size	70"–60" diagonal
Lens shift	Vertical, horizontal
RGB input scanning frequency	f _H 15–100 kHz, f _V 24–120 Hz, Dot clock 162 MHz
Component signal	480i, 567i, 480, 720p, 1080i
Video signal	NTSC, PAL, SECAM, M-NTSC, PAL60, PAL-M, PAL-N

Terminals	
VIDEO IN	BNC
VIDEO OUT	BNC
S-Video IN	Mini DIN 4-pin
RGB1/YPbPr IN	BNC x 5
RGB2 IN/RGB1 OUT	D-sub HD 15-pin
Optional board slot	x 1
RS-232C/422 IN	D-sub 9-pin female
RS-232C/422 OUT	D-sub 9-pin male
REMOTE 1 IN	D-sub 9-pin female (parallel)
REMOTE 2 IN	M3 jack
REMOTE 2 OUT	M3 jack
Installation	Ceiling/desk, front/rear (menu selection)
Keystone correction range	±40° (with ET-D75LE2) 38 dB (lamp power: low)
Noise	2.5 m (8.2')
Power cord length	100–120 V AC, 60 Hz
Power supply	800 W (800 VA) (12 W during standby mode with fan stopped)
Power consumption	
Dimensions (W x H x D)	530 x 200 x 540 mm (17-3/8" x 7-15/16" x 17-11/16") (without lens)
Weight	19.8 kg/43.6 lbs (without lens)
Operating temperature	0°–40°C (32°–104°F) 0°–35°C (32°–95°F) (dual lamp, lamp power: high)
Operating humidity	10%–80% (no condensation)
Safety regulations	UL60950, C-UL, FCC

Supplied accessories

- Wireless/wired remote control unit
- Batteries for remote control unit
- Remote control cable

Optional accessories

- Replacement lamp unit (single): ET-LAD7500
- Replacement lamp unit (set of two lamps): ET-LAD7500W
- Ceiling mount bracket: ET-PKD75
- Low ceiling mount bracket: ET-PKD75S
- Dual stacking mount bracket: ET-DFD75
- Carrying handle: ET-HAD75
- Zoom lens (1.5-2.0:1): ET-D75LE1
- Zoom lens (2.0-3.0:1): ET-D75LE2
- Zoom lens (3.0-5.0:1): ET-D75LE3
- Zoom lens (5.0-8.0:1): ET-D75LE4
- Fixed focus lens (0.8:1): ET-D75LE5
- Super-contrast zoom lens (1.5-2.0:1): ET-D75LE1SC
- Super-contrast zoom lens (2.0-3.0:1): ET-D75LE2SC
- Super-contrast zoom lens (3.0-5.0:1): ET-D75LE3SC
- Super-contrast zoom lens (5.0-8.0:1): ET-D75LE4SC
- DVI board: ET-MD75DV
- Network board: ET-MD75NT
- Video/S-Video input board: ET-MD95VM2
- SDI (480i/576i) input board: ET-MD95SD1
- SDI (480i/576i/480p) input board: ET-MD95SD2
- SDI (720p/1035i/1080i/1080p) input board: ET-MD95SD3
- RGB/YPbPr input board: ET-MD95RGB
- Wireless mouse receiver: ET-RMRC1

Panasonic is the brandname of Matsushita Electric

Panasonic Broadcast & Television Systems Company
Presentation Systems Group
800 528 8601
www.panasonic.com/projectors

Headquarters
1 Panasonic Way, 4E-7
Secaucus, NJ 07094
201 348 5300

Panasonic Canada Inc.
5770 Ambler Drive
Mississauga, Ontario
Canada L4W 2T3
416 624 5010

Please contact Panasonic or your dealer for a demonstration.

Weights and dimensions shown are approximate. Specifications subject to change without notice. This product may be subject to export control regulations. UHM is a trademark of Matsushita Electric Industrial Co., Ltd. VGA and XGA are trademarks of International Business Machines Corporation. Mac is a registered trademark of Apple Computer, Inc. SVGA is a registered trademark of the Video Electronics Standards Association. Windows is a registered trademark of Microsoft Corporation. All other trademarks are the property of their respective trademark owners. Projection images simulated.

PT-D7600/D7500U-02NOV/50K Printed in Japan.

Panasonic ideas for life