



MULTIMEDIA DATA/VIDEO LCD PROJECTOR

The All-Purpose Projector

All This in One Balanced Projector

■ Brilliant Clarity 2000 ANSI Lumens ■ SXGA/XGA Multi-Scanning Capability ■ Video Signal Line Doubler
■ Digital-Expanded Zoom ■ Dual Source Multi Display

LVP-X300U

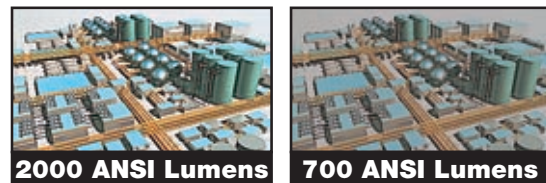


A Perfect Balance

2000 ANSI Brilliant Clarity 2000 ANSI Lumens

With the LVP-X300U's powerful 2000 ANSI Lumens projection system, there's no need to dim the room lights for your presentation. It can project brilliant, crystal-clear images under typical indoor lighting. What's more, its polarized light-exchange element and new optical system enhance light output and maximize light efficiency.

A comparison of projected screen images under normal indoor light



2000 ANSI Lumens Bright, vivid, high-contrast image
700 ANSI Lumens Image is faded and difficult to see. Contrast is weak.

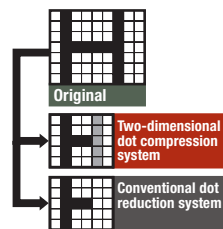
Video Signal Line Doubler

The Line Doubler improves resolution and motion with video playback. As its name suggests, the Line Doubler displays the current field with twice the number of display lines by creating a composite of previous and next fields. Diagonals are smoother, motion is more natural, and shapes are clearer on screen.



2D 2D Dot-Compression System

SXGA images are usually displayed on an XGA screen by 'thinning out' some pixels in the image. Our 2D dot-compression system, however, processes the image as a whole to maintain image integrity, so that no picture information is lost and the apparent resolution stays the same.



New High-Contrast Optical Engine

The newly developed Optical Engine, combined with the new LCD panels incorporated in the LVP-X300U, boosts contrast by 30% compared to our previous models. Screen contrast is sharp and clear as never before.

2000

ANSI Lumens of Illumination

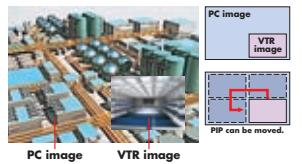
The ideal combination of brightness, handy features and portability

Easy to Use, Easy to Move

The new LVP-X300U is truly portable. Weighing just 5.9kg, and stored in a neat 299 x 367 x 127mm package, it's compact and light enough to be moved anywhere.

Dual Source Multi Display

This handy function allows you to project moving images from two sources, e.g., PC animation and video playback, simultaneously. The moving images can be displayed one within the other in a PIP in any corner of the screen.



New Laser Pointer Remote with Illuminated Button

The remote features a laser pointer that allows the presenter to quickly pinpoint parts of images when making reference to them. A cursor created by the emitted light beam can be seen on the screen when pointing to images.



Illuminated buttons make the remote easy to use even in darkened rooms.



LVP-X300U

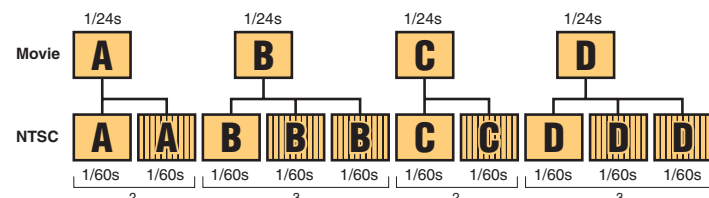
R e a l M u l t i m e d i a



3-2 Cinema Mode Function (3-2 PullDown Detection)

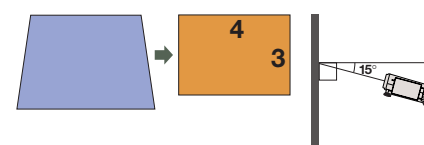
Cinema Mode Function in LVP-X300U is the 3-2 PullDown detection circuitry for even more beautiful video playback. It automatically adjusts playback to suit 3-2 PullDown compression. (NTSC only)

3-2 PullDown Conversion Method



New Digital Keystone Correction

When you are unable to project images from a right-angle in front of screen, the picture can seem distorted. New Digital Keystone Correction corrects this slight trapezoid effect within a range of 15°, and prevents jagged distortion on screen.



**If the angle of projection is very steep, the image may be slightly out of focus in the upper and lower portions of the screen.
*When New Digital Keystone Correction is used and the angle of projection is large, there may be some loss of resolution.
When projected in NTSC, the aspect ratio is 4:2.81.

Digital-Expanded Zoom

The variable digital zoom function dramatically enhances the impact and persuasiveness of your presentations. Use the remote pointer to identify a part of the image and expand it for a closer look.

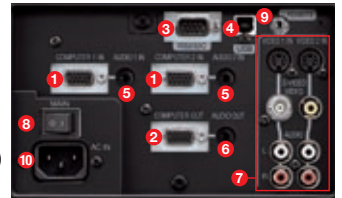


Specifications

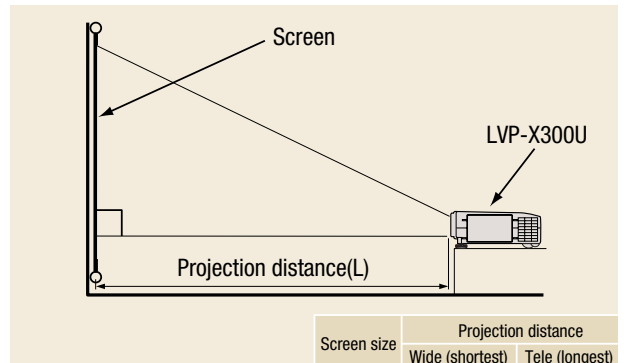
Display technology	1.3-inch polysilicon panel x 3 (with micro lens)
Resolution	1024 x 768 (total 2,359,296 pixels)
Brightness	2000 ANSI lumens
Colours	16,770,000
Projection system	Front desk top/Front ceiling mount Rear desk top/Rear ceiling mount
Zoom / focus	Electrically controlled (zoom ratio 1.3:1)
Picture size	40" (tele) to 300" (max) (102 to 762cm) diagonal
Keystone correction	Electrically controlled (angle $\pm 15^\circ$)
Source lamp	190W NSH bulb; operating time: 2,000 hours
Computer compatibility	Windows based PC, Macintosh, Workstation (max 160Mhz), Sync. on green
Video compatibility	NTSC, NTSC4.43, PAL, SECAM, PAL-N, PAL-M, PAL-60, DVD, HDTV
Input terminals	(1) Video x 2; Video 1: RCA-pin jack S-video Video 2: BNC type, Audio x 2: RCA-pin jack (stereo) (2) PC x 2; RGB: mini D-sub 15pin x 2 Audio: 3.5mm stereo mini jack x 1
Output terminals	(1) PC x 1: RGB: mini D-sub 15pin (2) Audio x 1: 3.5mm stereo mini jack x 1 (Video 1 & 2 and PC 1)
Communication terminals	(1) RS-232C x 1 (direct command available) / PS2 (mouse function) (2) USB terminal for mouse (3) Wired remote terminal (3.5mm stereo jack)
Scanning rates	Horizontal: 15~92kHz, Vertical: 50~85kHz Dot clock: max 160Mhz
Input signal	Video: NTSC, NTSC 4.43, PAL, SECAM, S-VHS PC: VGA (640 x 480), SVGA (800 x 600), XGA (1024 x 768) compressed SXGA (1280 x 1024) without pixel drop
Speakers	Built-in 2W + 2W stereo speakers
Remote control	(1) Projector full control (2) PS2, USB, Mac compatible (3) Laser pointer (1mW) (4) Direct operating distance 10m
Power consumption	280W
Dimensions (WxHxD)	299 x 127mm (excluding legs) x 367 (excluding lens)
Weight	5.9kg
Power supply	AC100-240V+10%, 50/60Hz
Supplied accessories	AC power cable, RGB cable, RS-232C cable, Remote control, Battery for remote, Lens cap, User manual, Wired cable for remote control unit, Mouse adaptor (DOS/V)
Optional accessories	Spare lamp, Ceiling mount bracket, Extension pole for ceiling mount bracket

Input and Output Terminals (standard video board)

- 1 PC analogue RGB input (mini D-SUB 15P)
- 2 PC analogue RGB output (mini D-SUB 15P)
- 3 RS-232C 1 input (D-SUB 9P)
- 4 USB input
- 5 PC audio input (stereo mini jack)
- 6 PC audio output
- 7 Video/audio input
- 8 Main power
- 9 Wired Remote input
- 10 Power jack

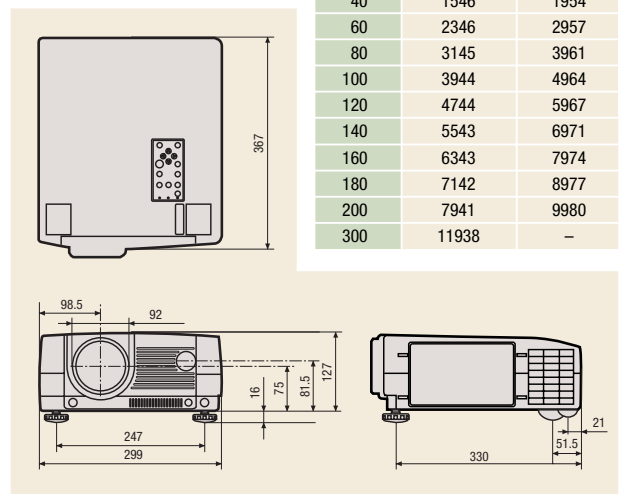


Screen Size and Projection Distance



Screen size (inches)	Projection distance	
	Wide (shortest) Lw	Tele (longest) Lt
40	1546	1954
60	2346	2957
80	3145	3961
100	3944	4964
120	4744	5967
140	5543	6971
160	6343	7974
180	7142	8977
200	7941	9980
300	11938	-

Dimensions (unit: mm)



Windows® is a registered trademark of Microsoft Corporation.
Macintosh® is a registered trademark of Apple Computer, Inc.
XGA and SXGA are registered trademarks of IBM Corporation.
All other products or brand names are trademarks or registered trademarks of their respective holders.



MITSUBISHI ELECTRIC CORPORATION
HEAD OFFICE: MITSUBISHI DENKI BLDG., 2-2-3, MARUNOUCHI, CHIYODA-KU, TOKYO 100-8310, JAPAN