

## S P E C F I L E



Product Number : PT-**LX26**

Product Name : LCD Projector

**ProSelecta**

View :: Compare :: Select - [www.ProSelecta.com](http://www.ProSelecta.com)

## Specifications

## Main unit

|   |                     |   |
|---|---------------------|---|
| Power supply                              |                     | 100–240 V AC, 50/60 Hz  |
| Power consumption                         |                     | 297 W<br>(0.47 W when standby mode set to eco,* <sup>1</sup> 8.6 W when standby mode set to network.)   |
| LCD panel                                 | Panel size          | 14.0 mm (0.55 inches) diagonal (4:3 aspect ratio)   |
|   | Display method      | Transparent LCD panel (× 3, R/G/B)  |
|   | Pixels              | 786,432 (1,024 × 768) × 3, total of 2,359,296 pixels  |
|   | Pixel configuration | Stripe  |
| Lens                                      |                     | Manual zoom (1:1–1.2:1), manual focus F 2.10–2.25, f 19.11–22.94 mm   |
| Throw ratio                               |                     | 1.5–1.8:1   |
| Lamp                                      |                     | 230 W UHM lamp  |
| Screen size                               |                     | 0.76–7.62 m (30–300 inches) diagonally, 4:3 aspect ratio  |
| Colors                                    |                     | Full color (16,777,216 colors)  |
| Brightness* <sup>2</sup>                  |                     | 2,600 lumens (lamp mode: high)  |
| Center-to-corner uniformity* <sup>2</sup> |                     | 85%   |
| Contrast* <sup>2</sup>                    |                     | 500:1 (full on/full off) (lamp mode: high, iris: on)  |
| Resolution                                |                     | 1,024 × 768 pixels (Input signals that exceed this resolution will be converted to 1,024 × 768 pixels.)   |
| Scanning frequency                        | RGB                 | f <sub>H</sub> : 15 kHz–100 kHz, f <sub>V</sub> : 50 Hz–100 Hz, dot clock: 140 MHz or lower (Signals above 140 MHz are downsampled.)  |
|   | YPbPr (YCbCr)       | 525i (480i): f <sub>H</sub> 15.75 kHz; f <sub>V</sub> 60 Hz,<br>625i (576i): f <sub>H</sub> 15.63 kHz; f <sub>V</sub> 50 Hz,<br>525p (480p): f <sub>H</sub> 31.50 kHz; f <sub>V</sub> 60 Hz,<br>625p (576p): f <sub>H</sub> 31.25 kHz; f <sub>V</sub> 50 Hz,<br>750 (720)/60p: f <sub>H</sub> 45.00 kHz; f <sub>V</sub> 60 Hz,<br>750 (720)/50p: f <sub>H</sub> 37.50 kHz; f <sub>V</sub> 50 Hz,<br>1125 (1080)/60i: f <sub>H</sub> 33.75 kHz; f <sub>V</sub> 60 Hz,<br>1125 (1080)/50i: f <sub>H</sub> 28.13 kHz; f <sub>V</sub> 50 Hz |
|   | Video/S-Video       | f <sub>H</sub> : 15.75 kHz, f <sub>V</sub> : 60 Hz [NTSC/NTSC4.43/PAL-M/PAL60]<br>f <sub>H</sub> : 15.63 kHz, f <sub>V</sub> : 50 Hz [PAL/PAL-N/SECAM]  |
| Optical axis shift                        |                     | 6:1 (fixed)   |
| Keystone correction range                 |                     | Vertical: ±30° (±20° in Auto Keystone Correction mode.)   |
| Installation                              |                     | Ceiling/desk, front/rear (menu selection)   |
| Terminals                                 | COMPUTER (RGB) IN   | D-sub HD 15-pin (female) × 1  |
|   | R, G, B             | G: 0.7 V <sub>p-p</sub> (1.0 V <sub>p-p</sub> for sync on G), 75 ohms;<br>B, R: 0.7 V <sub>p-p</sub> , 75 ohms;<br>HD/VD, SYNC: high impedance, TTL (positive/negative)<br><b>NOTE: SYNC/HD and VD terminals do not accept tri-level sync signals.</b>  |
|   | Y, Pb (Cb), Pr (Cr) | Y: 1.0 V <sub>p-p</sub> (including sync signal);<br>Pb (Cb), Pr (Cr): 0.7 V <sub>p-p</sub> , 75 ohms  |
|   | S-Video             | Y: 1.0 V <sub>p-p</sub> ; C: 0.286 V <sub>p-p</sub> , 75 ohms<br><b>NOTE: D-sub to S-Video adaptor cable ET-ADSV is required.</b>   |
|   | VIDEO IN            | RCA pin × 1, 1.0 V <sub>p-p</sub> , 75 ohms   |
|   | SERIAL IN           | D-sub 9-pin (male) × 1, for external control (RS-232C compliant)  |
| Power cord length                         |                     | 2.0 m (6 ft 7 in)   |
| Cabinet materials                         |                     | Molded plastic (PC + ABS)   |
| Dimensions (W × H × D)                    |                     | 349 mm × 105 mm* <sup>4</sup> × 247 mm* <sup>5</sup><br>(13-3/4 × 4-5/32* <sup>4</sup> × 9-3/4* <sup>5</sup> inches)  |
| Weight                                    |                     | Approximately 2.9 kg (6.4 lbs)  |
| Operation noise                           |                     | 37.0 dB (lamp mode: high), 34.1 dB (lamp mode: normal),<br>29.0 dB (lamp mode: eco)   |
| Operating temperature                     |                     | 5°–35°C (41°–95°F)  |
| Operating humidity                        |                     | 20%–80% (no condensation)   |

**Remote control unit**

|                        |   |
|------------------------|---|
| Power supply           | 3 V DC (R03/LR03/AAA type battery × 2)  |
| Operation range*6      | Approximately 7 m (23 ft) when operated from directly in front of the signal receptor |
| Dimensions (W × H × D) | 52 × 110 × 18 mm (2-1/16" × 4-11/32" × 23/32")  |
| Weight                 | Approx. 67 g (2.4 oz) (including batteries)   |

**Supplied accessories**

Power cord with security lock (× 1) (× 2 for PT-LX26EA)  
Wireless remote control unit (× 1)  
Batteries for remote control (R03/AAA type × 2)  
VGA cable (× 1)  
Software CD-ROM (Logo Transfer Software) (× 1)  
Filter cover (× 1)

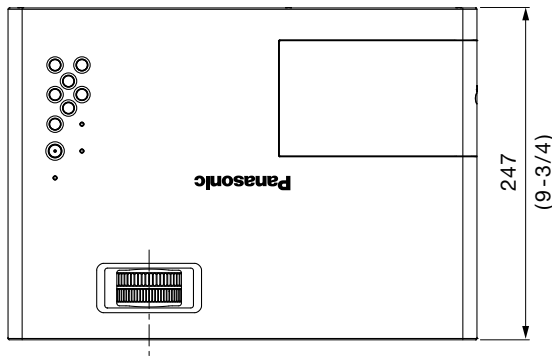
**Optional accessories**

|                                |   |
|--------------------------------|---|
| Replacement lamp unit          | ET-LAL100   |
| Replacement filter unit        | ET-RFL100   |
| Ceiling mount bracket          | ET-PKV100H (for high ceilings)<br>ET-PKV100S (for low ceilings) |
| Bracket assembly               | ET-PKL100B  |
| D-sub to S-Video adaptor cable | ET-ADSV   |

Weights and dimensions shown are approximate. Specifications subject to change without notice.

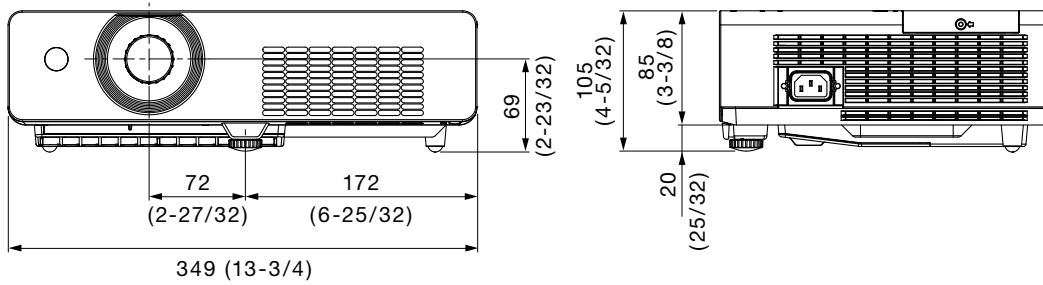
- \*1 When the standby mode is set to eco, only certain commands can be received for external control using the serial terminal.
- \*2 Measurement, measuring conditions, and method of notation all comply with ISO 21118 international standards.
- \*3 WUXGA resolution is supported only when the signals are compliant with VESA CVT-RB (Coordinated Video Timing-Reduced Blanking).
- \*4 With legs at shortest position.
- \*5 Protruding parts not included.
- \*6 Operation range differs depending on environments.

Dimensions

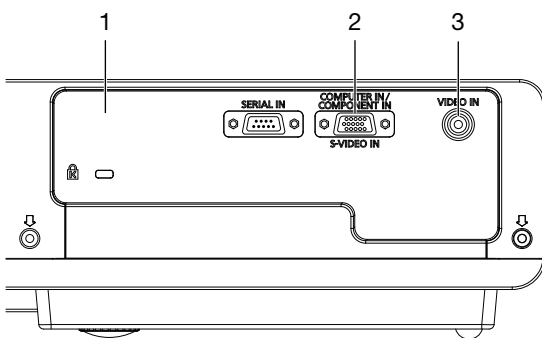


unit : mm (inch)

NOTE: This illustration is not drawn to scale.

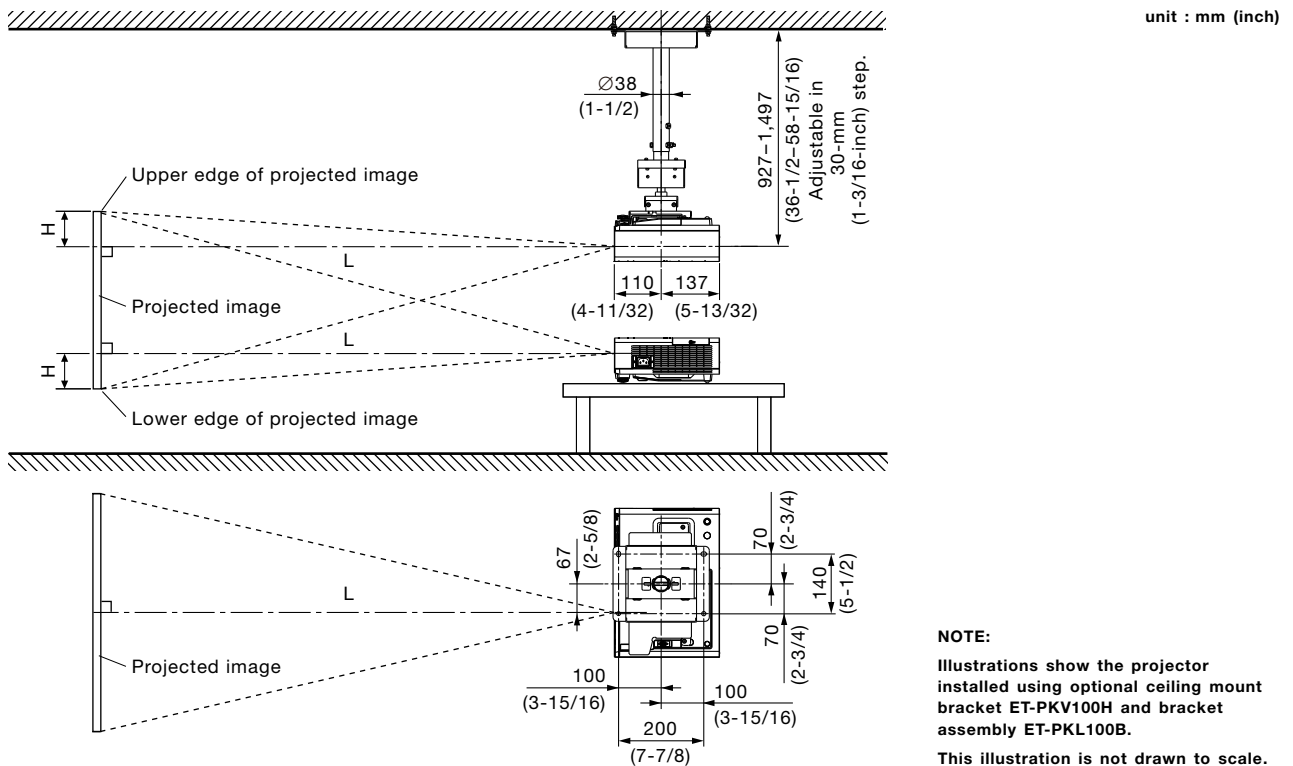


Terminals



- 1 Serial input
- 2 Computer input
- 3 Video input

Standard setting-up position



**Caution:**

- All construction work should be done by a qualified technician.
- When mounting to the ceiling, use the special mounting bracket. To prevent the projector from swaying or dropping, attach the wire that is included with the projector between the mounting bracket and the ceiling.

**Projection distance for 4:3 aspect ratio screen**

unit: meters (feet)

| Projection size<br>[diagonal] | Projection distance [L] |                 | Height from the edge of screen<br>to center of lens [H] |
|-------------------------------|-------------------------|-----------------|---|
|                               | Min [wide]              | Max [telephoto] |   |
| 0.76 m / 30"                  | 1.0 (2.9)               | 1.2 (3.5)       | 0.07 (0.21)   |
| 1.02 m / 40"                  | 1.4 (3.9)               | 1.6 (4.7)       | 0.09 (0.29)   |
| 1.27 m / 50"                  | 1.7 (4.9)               | 2.0 (5.9)       | 0.11 (0.36)   |
| 1.52 m / 60"                  | 2.0 (5.9)               | 2.5 (7.1)       | 0.13 (0.43)   |
| 1.78 m / 70"                  | 2.4 (6.9)               | 2.9 (8.3)       | 0.15 (0.50)   |
| 2.03 m / 80"                  | 2.7 (7.9)               | 3.3 (9.5)       | 0.17 (0.57)   |
| 2.29 m / 90"                  | 3.1 (8.9)               | 3.7 (10.7)      | 0.20 (0.64)   |
| 2.54 m / 100"                 | 3.4 (9.9)               | 4.1 (11.9)      | 0.22 (0.71)   |
| 3.05 m / 120"                 | 4.1 (11.9)              | 4.9 (14.3)      | 0.26 (0.86)   |
| 3.81 m / 150"                 | 5.2 (14.8)              | 6.2 (17.8)      | 0.33 (1.07)   |
| 5.08 m / 200"                 | 6.9 (19.8)              | 8.3 (23.8)      | 0.44 (1.43)   |
| 6.35 m / 250"                 | 8.6 (24.8)              | 10.3 (29.8)     | 0.54 (1.79)   |
| 7.62 m / 300"                 | 10.3 (29.8)             | 11.0* (36.1)*   | 0.65 (2.14)   |

\* Lens performance cannot be guaranteed for projection sizes larger than 11.0 m (36.1 ft).

**NOTE:**

- The value for L (distance to screen) varies slightly depending on the zoom lens characteristics.
- At the shortest projection distance, the zoom lens characteristics may cause slight image distortion.

**Calculation of the projection distance**

For a screen size different from the above, use the equation below to calculate the projection distance.

Aspect ratio 4:3

minimum  $L (m) = (\text{diagonal screen size in inches}) \times 0.0345 - 0.0233$

maximum  $L (m) = (\text{diagonal screen size in inches}) \times 0.0414 - 0.0237$

**NOTE:**

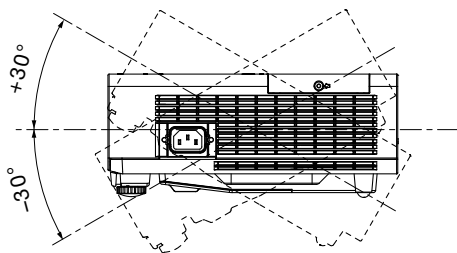
Distances calculated with the above equations will include a slight error.

**Installable angle**

Install the projector at an angle within the range shown below.

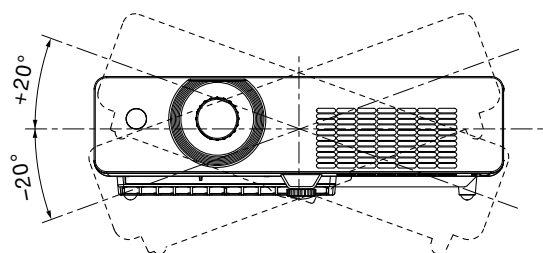
• **Vertical direction**

The projector may be installed at a vertical angle of 30°.



• **Horizontal direction**

The projector may be installed at a horizontal angle of 20°.



**List of compatible signals**

The signals that can be input to this projector are shown in the table below. Horizontal scanning frequencies of 15 kHz to 100 kHz, vertical scanning frequencies of 50 Hz to 100 Hz, and a dot clock of 140 MHz maximum can be input.

**NOTE:** The native resolution of this projector is 1,024 × 768 pixels. If the display resolution of the input signal is different from the native resolution, image compression or expansion will be used to convert the input signal to a level within the native resolution.

| Display mode              | Display resolution (dots)*1 | Scanning frequency |         | Dot clock frequency (MHz) | Format          |
|---------------------------|-----------------------------|--------------------|---------|---------------------------|-----------------|
|                           |                             | H (kHz)            | V (kHz) |                           |                 |
| NTSC/NTSC4.43/PAL-M/PAL60 | 720 × 480i                  | 15.7               | 59.9    | –                         | VIDEO/S-VIDEO*2 |
| PAL/PAL-N/SECAM           | 720 × 576i                  | 15.6               | 50.0    | –                         |                 |
| 525i (480i)               | 640 × 480i                  | 15.7               | 59.9    | 12.3                      | YPbPr/RGB       |
| 625i (576i)               | 768 × 576i                  | 15.6               | 50.0    | 14.8                      |                 |
| 525p (480p)               | 640 × 480                   | 31.5               | 59.9    | 25.2                      |                 |
| 625p (576p)               | 768 × 575                   | 31.3               | 50.0    | 29.5                      |                 |
| 720p                      | 1280 × 720                  | 45.0               | 60.0    | 74.3                      |                 |
|                           |                             | 37.5               | 50.0    | 74.3                      |                 |
| 1035i                     | 1920 × 1035i                | 33.8               | 60.0    | 74.3                      |                 |
| 1080i                     | 1920 × 1080i                | 33.8               | 60.0    | 74.3                      |                 |
|                           |                             | 28.1               | 50.0    | 74.3                      |                 |
| VGA                       | 640 × 400                   | 31.5               | 70.1    | 25.2                      | RGB             |
|                           | 640 × 480                   | 31.5               | 59.9    | 25.2                      |                 |
|                           |                             | 37.5               | 75.0    | 31.5                      |                 |
|                           |                             | 37.9               | 72.8    | 31.5                      |                 |
|                           |                             | 37.9               | 74.4    | 31.5                      |                 |
|                           |                             | 43.3               | 85.0    | 36.0                      |                 |
|                           | 720 × 400                   | 31.5               | 70.1    | 28.3                      |                 |
| MAC LC13                  | 640 × 480                   | 35.0               | 66.6    | 31.3                      |                 |
| MAC13                     |                             | 35.0               | 66.7    | 30.2                      |                 |
| SVGA                      | 800 × 600                   | 32.7               | 51.1    | 32.7                      |                 |
|                           |                             | 34.5               | 55.4    | 36.4                      |                 |
|                           |                             | 35.2               | 56.3    | 36.0                      |                 |
|                           |                             | 37.9               | 60.3    | 40.0                      |                 |
|                           |                             | 37.9               | 61.0    | 40.0                      |                 |
|                           |                             | 38.0               | 60.5    | 40.1                      |                 |
|                           |                             | 38.6               | 60.3    | 38.6                      |                 |
|                           |                             | 46.9               | 75.0    | 49.5                      |                 |
|                           |                             | 48.1               | 72.2    | 50.0                      |                 |
|                           |                             | 53.7               | 85.1    | 56.3                      |                 |
| MAC16                     | 832 × 624                   | 49.7               | 74.6    | 57.3                      |                 |
| XGA                       | 1024 × 768                  | 44.0               | 54.6    | 59.1                      |                 |
|                           |                             | 46.9               | 58.2    | 63.0                      |                 |
|                           |                             | 47.0               | 58.3    | 61.7                      |                 |
|                           |                             | 48.4               | 60.0    | 65.0                      |                 |
|                           |                             | 48.5               | 60.0    | 65.2                      |                 |
|                           |                             | 58.0               | 72.0    | 74.7                      |                 |
|                           |                             | 60.0               | 75.0    | 78.8                      |                 |
|                           |                             | 60.3               | 74.9    | 79.3                      |                 |
|                           |                             | 61.0               | 75.7    | 81.0                      |                 |
|                           |                             | 62.0               | 77.1    | 84.3                      |                 |
|                           |                             | 63.5               | 79.4    | 83.4                      |                 |
|                           |                             | 56.5               | 70.1    | 75.0                      |                 |
|                           |                             | 68.7               | 85.0    | 94.5                      |                 |
|                           | 1024 × 768i                 | 36.0               | 87.2    | 47.3                      |                 |
|                           |                             | 35.5               | 87.0    | 44.9                      |                 |
| MAC19                     | 1024 × 768                  | 60.2               | 75.1    | 80.0                      |                 |

\*1 The "i" appearing after the resolution indicates an interlaced signal.

\*2 A D-sub to S-Video adaptor cable (ET-ADSV) is required for S-Video signal input.

| Display mode | Display resolution (dots)*1 | Scanning frequency |         | Dot clock frequency (MHz) | Format |
|--------------|-----------------------------|--------------------|---------|---------------------------|--------|
|              |                             | H (kHz)            | V (kHz) |                           |        |
| WXGA         | 1280 × 768                  | 47.8               | 59.9    | 79.5                      | RGB    |
|              |                             | 60.3               | 74.9    | 102.3                     |        |
|              |                             | 68.6               | 84.8    | 117.5                     |        |
|              | 1280 × 800                  | 41.2               | 50.0    | 68.6                      |        |
|              |                             | 49.6               | 60.1    | 79.4                      |        |
|              |                             | 49.7               | 59.8    | 83.5                      |        |
|              |                             | 56.0               | 70.0    | 95.0                      |        |
|              |                             | 57.6               | 72.0    | 97.8                      |        |
|              |                             | 58.2               | 70.0    | 98.9                      |        |
|              |                             | 60.0               | 72.0    | 102.8                     |        |
|              |                             | 62.8               | 74.9    | 106.5                     |        |
|              | 1360 × 768                  | 63.9               | 60.0    | 108.0                     |        |
|              |                             | 71.5               | 84.8    | 122.5                     |        |
|              |                             | 47.7               | 60.0    | 86.7                      |        |
|              |                             | 56.2               | 72.0    | 86.7                      |        |
| 1366 × 768   | 48.4                        | 60.0               | 100.1   |                           |        |
| 1376 × 768   | 48.4                        | 60.0               | 86.7    |                           |        |
| MAC21        | 1152 × 870                  | 68.7               | 75.1    | 100.0                     |        |
| SXGA         | 1152 × 900                  | 61.2               | 65.2    | 92.0                      |        |
|              |                             | 71.4               | 75.6    | 105.1                     |        |
|              |                             | 61.9               | 66.0    | 94.5                      |        |
|              | 1280 × 960                  | 60.0               | 60.0    | 108.0                     |        |
|              |                             | 62.5               | 58.6    | 108.0                     |        |
|              | 1280 × 1024                 | 63.3               | 60.0    | 107.3                     |        |
|              |                             | 63.7               | 60.0    | 109.5                     |        |
|              |                             | 63.9               | 60.0    | 108.0                     |        |
|              |                             | 71.7               | 67.2    | 117.0                     |        |
|              |                             | 81.1               | 76.1    | 135.0                     |        |
|              |                             | 64.0               | 60.2    | 108.1                     |        |
|              |                             | 80.0               | 75.0    | 135.0                     |        |
|              |                             | 63.4               | 60.0    | 111.5                     |        |
|              |                             | 77.0               | 72.0    | 130.1                     |        |
|              |                             | 63.8               | 60.2    | 109.5                     |        |
| 1280 × 1024i | 91.1                        | 85.0               | 157.5   |                           |        |
|              | 50.0                        | 86.0               | 80.0    |                           |        |
|              | 50.0                        | 94.0               | 80.0    |                           |        |
|              | 46.4                        | 86.7               | 78.4    |                           |        |
| MAC          | 1280 × 960                  | 75.0               | 75.1    | 126.0                     |        |
|              | 1280 × 1024                 | 80.0               | 75.1    | 135.2                     |        |
| SXGA+        | 1400 × 1050                 | 64.0               | 60.2    | 108.0                     |        |
|              |                             | 65.4               | 60.1    | 122.9                     |        |
|              |                             | 65.1               | 59.9    | 122.4                     |        |
| WXGA+        | 1440 × 900                  | 55.9               | 59.9    | 106.5                     |        |
|              |                             | 74.9               | 60.0    | 161.9                     |        |
| UXGA         | 1600 × 1200                 | 75.0               | 60.0    | 162.0                     |        |
|              |                             | 81.3               | 65.0    | 175.5                     |        |
|              |                             | 87.5               | 70.0    | 189.0                     |        |
|              |                             | 93.8               | 75.0    | 202.5                     |        |
| WSXGA+       | 1680 × 1050                 | 65.3               | 60.0    | 146.3                     |        |
| WUXGA        | 1920 × 1200                 | 74.0               | 59.9    | 154.0                     |        |
|              |                             | 74.6               | 59.9    | 193.3                     |        |

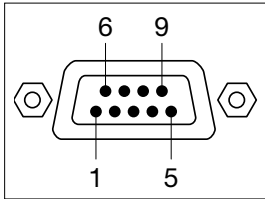
\*1 The "i" appearing after the resolution indicates an interlaced signal.



**Serial connector**

The serial connector complies with RS-232C. To control the projector from a personal computer, commands must be input through communication software, based on the format and satisfying the communication conditions shown below.

**Pin assignments and signal names**



D-sub 9-pin (male)  
Serial input

| No. | Signal name | Description  | No. | Signal name | Description |
|-----|-------------|--------------|-----|-------------|-------------|
| 1   | -           | NC           | 6   | -           | NC          |
| 2   | TXD         | Send data    | 7   | -           | NC          |
| 3   | RXD         | Receive data | 8   | -           | NC          |
| 4   | -           | NC           | 9   | -           | NC          |
| 5   | GND         | Ground       |     |             |             |

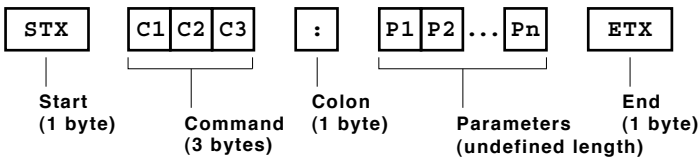
**Communication conditions (factory setting)**

|                        |                            |
|------------------------|----------------------------|
| Signal level           | RS-232C-compliant          |
| Synchronization method | Start-stop synchronization |
| Baud rate              | 19,200 bps                 |
| Parity                 | None                       |

|                  |        |
|------------------|--------|
| Character length | 8 bits |
| Stop bit         | 1 bit  |
| X parameter      | None   |
| S parameter      | None   |

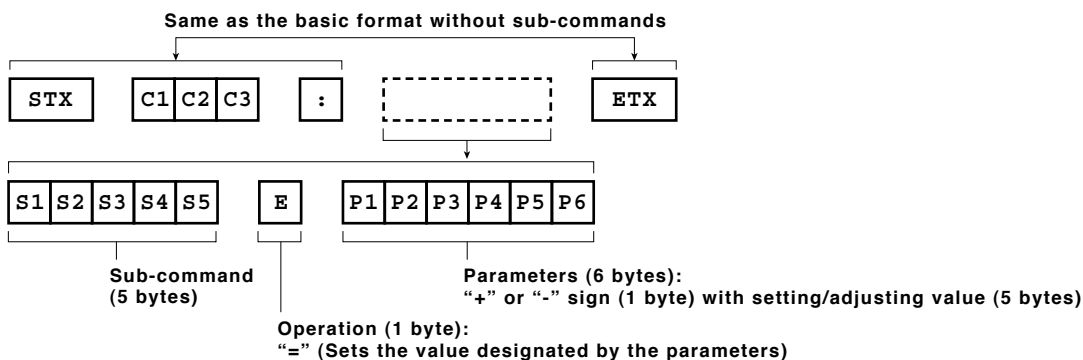
**Basic format**

Transmission from the computer begins with STX, then command, parameter, and ETX are sent in this order. Add parameters according to the details of control.



NOTE: When sending commands without parameters, a colon (:) is not necessary.

**Basic format with sub-commands**

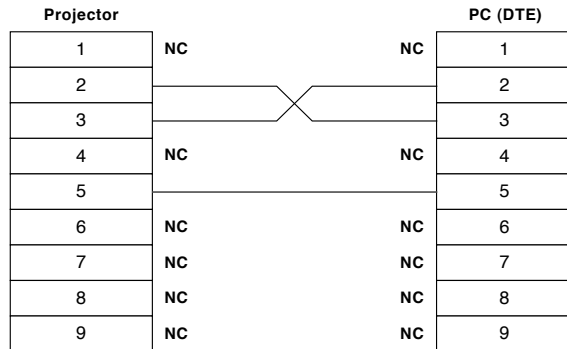


NOTE: When sending sub-commands that require no parameters, operation (E) and parameters are not necessary.

**CAUTION**

- It may not be possible to send or receive commands for about 10 to 60 seconds when the lamp is first turned on. If this occurs, wait for 60 seconds, then try sending or receiving again.
- When sending multiple commands, be sure to wait for at least 0.5 second after receiving a response from the projector before sending the next command.
- Additional time is sometimes required for response due to processing inside the projector. Set the time-out period for command response to 10 seconds or more.

**Cable specifications**



**Control commands**

| Command: <Parameter> | Function                     | Callback: <Parameter> | Parameter value |     |
|----------------------|------------------------------|-----------------------|-----------------|-----|
|                      |                              |                       | Min             | Max |
| PON*1/*2             | Power on (standby mode on)   | PON                   | -               | -   |
| POF*1                | Power off (standby mode off) | POF                   | -               | -   |
| IIS:<input signal>   | Input signal selection       | IIS:<input signal>    | -               | -   |
| OFZ:<off on>         | Freeze                       | OFZ:<off on>          | 0               | 1   |
| VPM:STD              | Picture mode: Standard       | VPM:STD               | -               | -   |
| VPM:DYN              | Picture mode: Dynamic        | VPM:DYN               | -               | -   |
| VPM:CIN              | Picture mode: Cinema         | VPM:CIN               | -               | -   |
| VPM:REA              | Picture mode: Real           | VPM:REA               | -               | -   |
| VPM:BBD              | Picture mode: Blackboard     | VPM:BBD               | -               | -   |
| VPM: CBD             | Picture mode: Colorboard     | VPM: CBD              | -               | -   |
| VPM: IM1             | Picture mode: Image 1        | VPM: IM1              | -               | -   |
| VPM: IM2             | Picture mode: Image 2        | VPM: IM2              | -               | -   |
| VPM: IM3             | Picture mode: Image 3        | VPM: IM3              | -               | -   |
| VPM: IM4             | Picture mode: Image 4        | VPM: IM4              | -               | -   |
| AUU                  | Volume up                    | AUU                   | -               | -   |
| AUD                  | Volume down                  | AUD                   | -               | -   |
| OSH*1                | Blank                        | OSH                   | -               | -   |
| DZU                  | Digital zoom: Enlargement    | DZU                   | -               | -   |
| DZD                  | Digital zoom: Reduction      | DZD                   | -               | -   |

\*1 Do not send PON, POF, or OSH commands continuously in a short period of time. Doing so may burst the lamp or shorten the lamp replacement cycle.

\*2 These commands are effective when the standby mode is set to eco. (Other commands are not effective.)

**Status request commands**

| Command | Description           | Callback<br><Parameter> |     |
|---------|-----------------------|-------------------------|-----|
| QPW     | Standby power status  | <power condition>       |     |
| Q\$S    | Lamp status           | <lamp condition>        |     |
| QIN     | Input signal status   | <input signal>          |     |
| QPM     | Picture mode status   | Standard                | STD |
|         |                       | Dynamic                 | DYN |
|         |                       | Cinema                  | CIN |
|         |                       | Real                    | REA |
|         |                       | Blackboard              | BBD |
|         |                       | Colorboard              | CBD |
|         |                       | Image 1                 | IM1 |
|         |                       | Image 2                 | IM2 |
| QFZ     | Freeze status         | Image 3                 | IM3 |
|         |                       | Image 4                 | IM4 |
| Q\$L    | Lamp run time         | <acctch>                |     |
| QSH     | Blank function status | <off_on>                |     |

NOTE: If a wrong command is received, the projector will send an ER401 command to the computer.

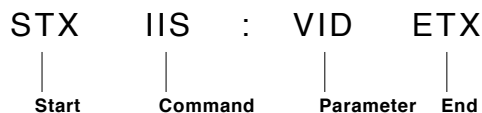
**Parameter format**

| Parameter format  | Size (Byte)                                       | Definition   |
|-------------------|---|--|
| <p1>              | 3 (1 or 2 bytes also possible when under control) | Decimal without signs: 0 to 999 (000, 001, 002...999)<br>Decimal with signs: -99 to +99 (-99...-01, +00, +01, +02...+99)<br>Callback from the projector is 3 Byte. |
| <off on>          | 1   | 0 = off, 1 = on  |
| <input signal>    | 3   | RG = computer 1, VID = video, SVD = S-Video  |
| <power condition> | 3   | 000 = power off (standby mode off), 001 = power on (standby mode on)   |
| <lamp condition>  | 1   | 0 = standby, 1 = lamp on under control, 2 = lamp on, 3 = lamp off under control  |
| <acctch>          | 4   | Decimal without signs: 0000-9999 hours   |

NOTE: If a wrong command is received, the projector will send an ER401 command to the computer.

**Command example**

To set the input to VIDEO, send the command as shown below.

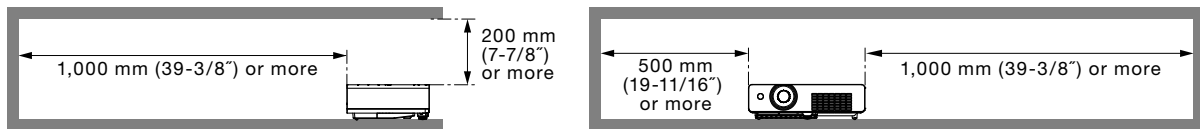


NOTE: When sending commands without parameters, a colon (:) is not necessary.

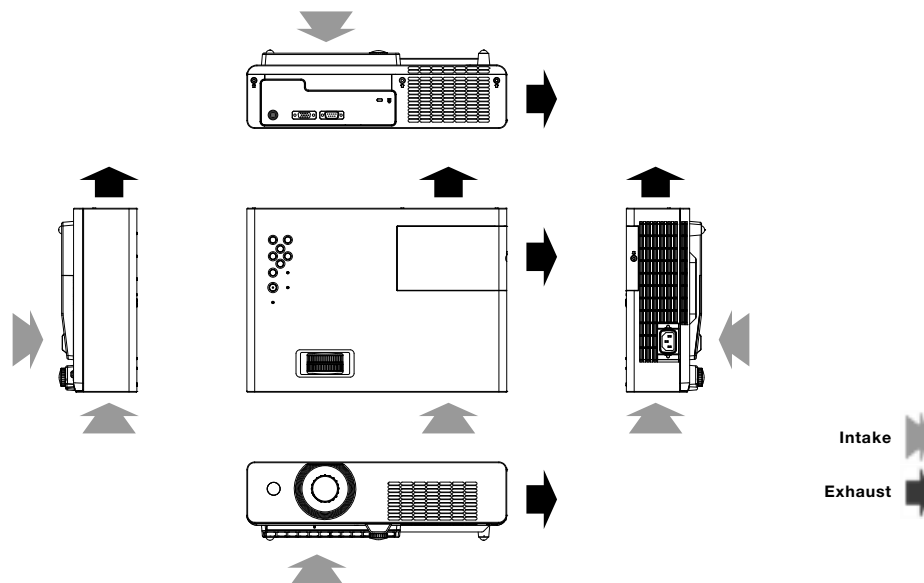
### Notes on projector placement and operation

The projector uses a high-wattage lamp that becomes very hot during operation. Please observe the following precautions.

1. Never place objects on top of the projector while it is operating.
2. Make sure there is the unobstructed space as shown below or more around the projector's exhaust openings. In addition to this space, also ensure that there is a sufficient work space for removing and installing the lamp, filter and other parts.
3. Make sure that nothing blocks the projector's air intake and exhaust openings. Also, install the projector so that cool or hot air from other air conditioning equipment does not flow directly toward the projector's air intake or exhaust openings.
4. Do not install the projector in an enclosed space. If it is necessary to install it in an enclosed space, add a separate ventilation system. If ventilation is insufficient, hot air will accumulate at the intake opening. This may cause the projector's protective circuit to interrupt projector operation.



### Direction of air intake and exhaust



### Operating the projector continuously

1. If the projector is to be operated continuously 6 hours or more, lamp replacement cycle duration becomes shorter.
2. The lamp replacement cycle duration becomes shorter if the projector is operated repeatedly for short periods (one hour or less).

Weights and dimensions shown are approximate. Specifications and appearance are subject to change without notice. Product availability differs depending on region and country. This product may be subject to export control regulations.

PJLink is a registered trademark, or a trademark application has been filed, in Japan, the United States, and other countries and regions. All other trademarks are the property of their respective trademark owners.