

CP-AW251NM

ULTIMATE

究極 SHORT THROW



ULTIMATE SHORT THROW WXGA LCD PROJECTOR

The perfect balance of technology and design. The light weight and compact CP-AW251NM Ultimate Short Throw projector offers the highest quality images with a compelling design and low cost of ownership. The compact and lightweight chassis makes the CP-AW251NM easy to install and flexible to use. With the bundled wall mount and optional table top kit you can project onto any existing whiteboard, wall or table top.

Performance

- WXGA resolution (1280 x 800)
- 80" (2m) image from only 53cm*
- 2500 ANSI Lumens (Normal Mode)
- Full connectivity including HDMI
- Perfect Fit – adjust all four corners and sides of the image individually to achieve a square image
- Input Source Naming
- Table top mount facility
- My Button
- 10W speaker
- Anti theft features including:
 - PIN-Lock
 - MyScreen Lock
 - Transition Detector
 - Security bar

Cost of ownership

- Extended Hybrid Filter life – 5000 hour cleaning cycle
- Extended lamp life – 5000 hours in Eco Mode
- Virtually maintenance free
- Easy setup and installation
- Wall mount included in the box

Advanced Network Features

- Full connectivity including 1 x RJ-45
- Configure and control projector via network with a web browser
- Projector management via SNMP
- Content via LAN
- AMX Device Discovery
- Messenger
- PJ Link™
- Network Bridge

Environment



- The extended Hybrid Filter life means reduced electronic waste and reduced maintenance visits, resulting in an overall reduction in carbon footprint

Hitachi have formulated an "Environmental Vision" to contribute towards building a sustainable society through business and product development.

Our goal is to develop life-enhancing technology that will contribute to and realise a truly sustainable society for current and future generations.



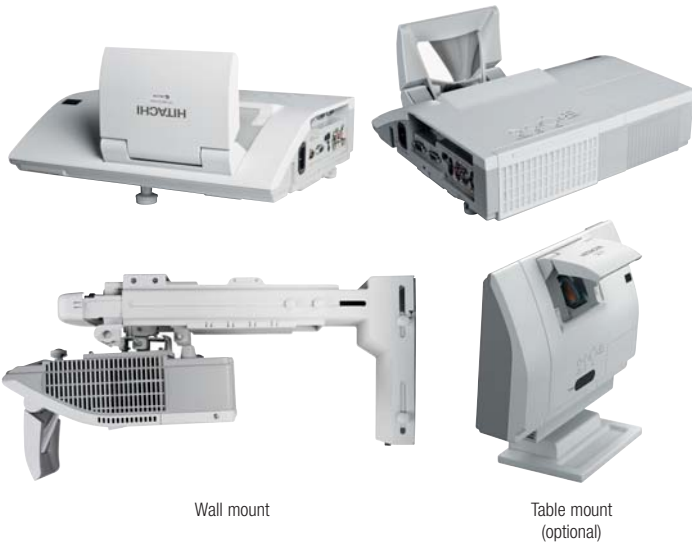
*from centre of mirror to screen



www.hitachidigitalmedia.com

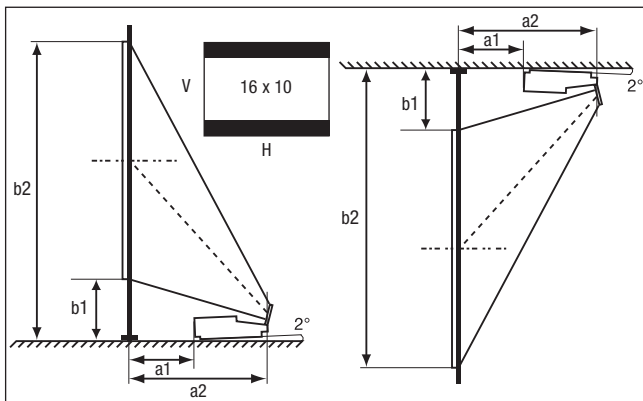
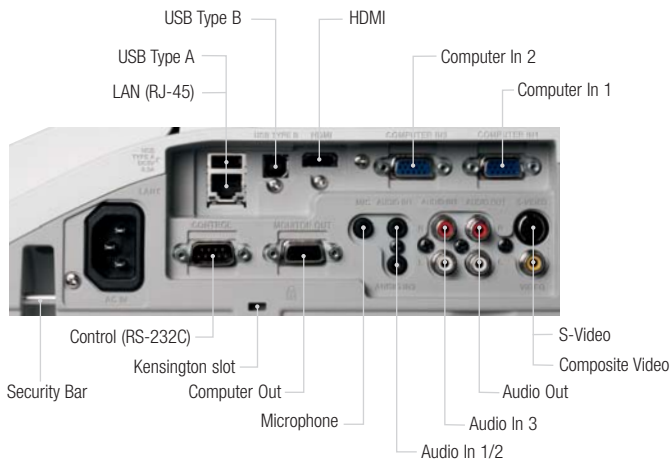
HITACHI
Inspire the Next

CP-AW251NM Technical specifications



Wall mount

Table mount (optional)



Throw distance (from the top of the lens)

Screen size (diagonal)	H x V		a1	a2	b1	b2
	(m)	(m)				
60" (1.5m)	1.3	0.8	0.120	0.396	0.295	1.102
70" (1.8m)	1.5	0.9	0.188	0.464	0.332	1.274
80" (2.0m)	1.7	1.1	0.256	0.532	0.369	1.446
90" (2.3m)	1.9	1.2	0.324	0.601	0.407	1.618
100" (2.5m)	2.2	1.3	0.392	0.669	0.444	1.791

OPTICAL

LCD Panel	0.59" (1.5cm) P-Si TFT x3
Resolution	WXGA (1280 x 800)
Brightness	Normal Mode
	Eco Mode
Colour light output	2500 ANSI Lumens
Contrast Ratio	1700 ANSI Lumens
Lens	2500 ANSI Lumens
Lamp Wattage	2000:1
Lamp Life	Free shaped lens and motorised free shaped mirror
Distance to Width Ratio (-1)	210W (UHP)
	3000 Hours (Normal Mode)/5000 Hours (Eco Mode)*
Diagonal Display Size	0.3:1 (fixed)
Number of Colour	60~100" (152~254cm)
Keystone	8 Bit/colour, 16.7M colours
	Fixed, 5.2:-1 upward shift

COMPATIBILITY

Computer Compatibility	IBM Compatible VGA, SVGA, XGA, WXGA, WXGA+, SXGA, WSXGA+, UXGA, MAC 16"
Video Compatibility	NTSC/PAL/SECAM/PAL-M/PAL-N/NTSC4.43 SDTV: 525i(480i), 525p(480p), 625i(576i) HDTV: 720p (720p@60Hz), 1125i(1080i@50/60Hz), 1125p(1080p@50/60Hz) DCC2B
Plug & Play	

FEATURES

Speakers	10W Mono
Basic functions	Freeze, Magnifying, Blank, Auto adjustment, Search
Picture adjustments	Equalizing Gamma Correction, 2-3 pull down, Progressive Scan, Noise Reduction, Perfect Fit
	Manual Vertical Keystone correction, Manual Horizontal Keystone correction
Digital keystone	PC-less Drawing Function (optional wireless tablet required), MyScreen, My Memory, My Button by remote control, Blackboard/Whiteboard mode, Daytime Mode, Input source naming (English), Resolution setting, Template, Saving mode, AudioPass through, My Text
Advanced features	Easy Lamp replace from Top, Rear intake air filter
Outward	Quick ON, Direct ON, Direct Off
Power on & off	PIN-Lock, MyScreen PIN-Lock, Keypad Lock, Kensington slot, Transition Detector, Security bar
Security systems	
Network	Configure and control projector via web browser, receive alerts via e-mail, projector management via SNMP, Scheduling, My Image, displaying text data transferred via the network, Command Control via network, AMX Device Discovery, Messenger, PJ Link™, Network Bridge, content via LAN, MAC address displayed on the side
OSD Languages	English, French, German, Spanish, Italian, Norwegian, Dutch, Korean, Japanese, Portuguese, Simplified Chinese, Traditional Chinese, Swedish, Russian, Finnish, Polish, Turkish, Arabic, Persian, Czech, Danish, Hungarian, Romanian, Slovenian, Croatian, Greek, Lithuanian, Estonian, Latvian, Thai, Portuguese (Brazil), Indonesian, Vietnamese

CONNECTIONS

Digital Input	1 x HDMI
Computer Input	2 x 15-pin Mini D-sub
Computer Output	1 x 15-pin Mini D-sub
Video Input	1 x RCA Jack (for composite)
	1 x S-Video Jack
Audio Input	2 x Component D-sub (shared with analogue RGB)
	1 x Stereo Mini Jack
Audio Output	1 x pair RCA (L/R)
	1 x Microphone Jack
Control	1 x 9-pin D-sub for RS232 control
USB	1 x USB type A for PC-less presentation and optional wireless pen tablet
	1 x USB type B for mouse control
Wired network	1 x RJ-45

POWER

Power Supply	AC100-120V/220-240V, auto switching
Power Consumption	300 W
Power Consumption in Standby	<0.3W

PHYSICAL

Dimensions (W x H x D)	345 x 85 x 303mm (excluding feet and extrusions when mirror is closed)
Weight	3.8Kg
Noise Level	35dB (Normal)/29dB (Eco)
Air Filter	Hybrid

MISCELLANEOUS

Lamp indicator light, Power light, Ceiling mount image, Rear projection image, Serial number label on side

CERTIFICATION

*UL60950-1/C-UL, FCC Part 15 Class A, *CE, AS/NZS CISPR22 Class A

ACCESSORIES SUPPLIED

Remote control with batteries, RGB cable, power cord, cable cover, security label, user manual (detail & concise), Wall mount (HAS-K250)

OPTIONAL ACCESSORIES

Replacement lamp	DT01181
Table top stand	TT-251

WARRANTY

Projector warranty	3 Years
Lamp warranty	6 Months**



HITACHI DIGITAL MEDIA, Hitachi Europe Ltd, Whitebrook Park, Lower Cookham Road, Maidenhead, Berkshire SL6 8YA UNITED KINGDOM
Tel: +44 (0)1628 585 000 Fax: +44 (0)1628 585 500 www.hitachidigitalmedia.com

*The stated lamp and filter life refers to the average life expected in ideal operating conditions with usage in accordance with the manual. The majority of, but not all lamps and filters should achieve this figure. **Where a lamp fails within warranty and a replacement lamp is taken, the warranty for the replacement lamp will be a maximum of 6 months (dependent on warranty hours stated). The "HD ready" Logo is a trademark of EICTA. HDMI, the HDMI logo and High-Definition Multimedia Interface are trademarks or registered trademarks of HDMI Licensing LLC. The specification above and photography is for reference only and may be subject to change.