

MULTIMEDIA DATA/VIDEO PROJECTORS

Short Throw Projector for flexible installation and efficient use of room space

NEW Short Throw XGA Projector

EX321U-ST

NEW Short Throw WXGA Projector **WIDE VIEW**

EW331U-ST



For Education

**3000
LUMENS**

3 Major Functions

1 Short Throw Projection

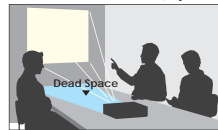
Using a projector in small meetings rooms used to be difficult due to insufficient projection distance. Not any more! The EX321U-ST and EW331U-ST require a mere 29.2" and 24.8" respectively for a projection of a clear, easy-to-read screen image approximately the size of a 60" whiteboard. It can be set on the edge of a tabletop, eliminating the loss of workspace commonly caused by the need to clear a path for the projection light. **Projected Image comparison (with 60-inch screen)**

EX321U-ST/ EW331U-ST



Tabletop dead space is minimized, effectively leaving workspace open for documents and other items.

Mitsubishi conventional model [Projection distance of 200cm+(77"+)]



Conventional projectors require a significant amount of dead space for projecting images.

**2700:1
CONTRAST RATIO**

5000hr
Estimated Lamp Life*

**28dBA
Noise Level***

6.4lbs
Ultra Portable

**SHORT
THROW**

2 High Image Quality— 3000lm Brightness and 2700:1 High Contrast

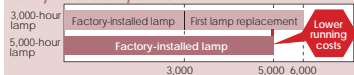
The EX321U-ST/ EW331U-ST reproduces vivid images using 3000lm brightness at a high contrast ratio of 2700:1.

RoomView

3 High Reliability— 5000hr* Long-life Lamp

By increasing the estimated lamp life, we've added the advantages of lower maintenance and reduced operating cost.

Lamp Life Comparison



*When used in Low Mode. Maximum lamp life in standard mode use is 3,500 hours. It's an estimated life time and the lamp is to be shut off upon the arrival. Lamp life refers to the average time required for brightness to be reduced by half, and not the time specified in the warranty. Lamp service life may vary widely depending on the environment and conditions, and whether or not cleaning and other maintenance procedures are followed.

**S.R.D. LAMP
TOP LOADING
USER REPLACEABLE**

HDMI

**CLOSED
CAPTION**

More Functions

- Advanced Network Management
- 3D READY
- Silent 28dB Operation (Low Mode)
- Wall Screen
- Loud 10W built-in speaker
- Direct Power Off
- Top-loading lamp*



Top-loading lamp

- *1: A lamp replacement attachment is included to prevent lamp from being dropped during replacement.
- Stand-by Mode under 0.5W**
- *2: When LAN control is set to RS-232C, and "Stand-by Audio Out" and "Stand-by Monitor Out" are set to "Off."
- BrilliantColor™*3 (6-segment color wheel) Adopted
- *3: BrilliantColor is a trademark of Texas Instruments.
- 18-language On-screen Display Capable
- Closed Caption (CC) Capable
- Dual RGB Input Terminal
- Audio Pass Through

for a greener tomorrow



NEW

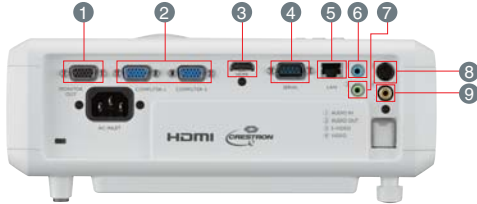


EX321U-ST/EW331U-ST

Short Throw XGA / WXGA Projector

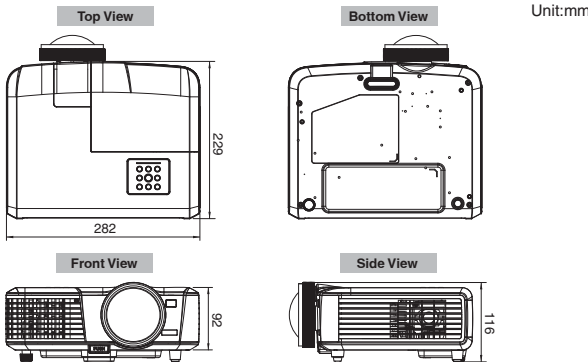
| | | | | | | | |
|------------------------|------------------|----------------|---------------|---------------|------------------|----------------|---------------------|
| Short Throw Projection | Brilliant Color™ | Wall Screen | 10W Speaker | Password Lock | Direct Power Off | Long-life Lamp | Picture Performance |
| Low Standby Power | Top Loading Lamp | Closed Caption | Low Fan Noise | LAN (RJ-45) | HDMI | | Presentation |
| | | | | | | | User Friendly |

Input and Output Terminals



- 1 Monitor output
- 2 PC/Component video input
- 3 HDMI
- 4 Serial RS-232C
- 5 LAN (RJ-45)
- 6 Audio input
- 7 Audio output
- 8 S-Video
- 9 Video

Dimensions

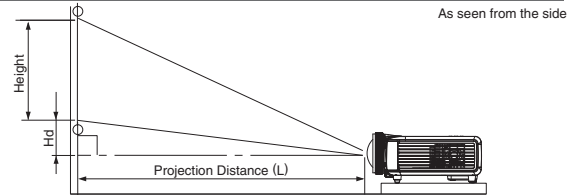


Specifications

| | | |
|------------------------|--|--|
| Model | EX321U-ST | EW331U-ST |
| Display Technology | 0.55" 1-Chip DMD | 0.65" 1-Chip DMD |
| Resolution | 1024 x 768 (Total 786,432 pixels) | 1280 x 800 (Total 1,024,000 pixels) |
| Brightness | 3000lm | |
| Contrast Ratio | 2700 : 1 | |
| Picture Size*1 | 40" - 300" | 50" - 300" |
| Throw Ratio*1 | 0.608 | 0.489 |
| Estimated Lamp Life | 5000 hours*2 (Low Mode) 3500 hours*2 (Standard Mode) | |
| PC Compatibility | 640 x 480 - 1600 x 1200, True: 1024 x 768, Sync on Green available | 640 x 480 - 1600 x 1200, True: 1280 x 800, Sync on Green available |
| Video Compatibility | NTSC / NTSC 4.43 / PAL (including PAL-M, N) / SECAM / PAL-60 Component Video: 480i/p (525i/p), 576i/p (625i/p), 720p (750p), 1080i/p (1125i/p 60Hz), 1080i/p (1125i/p 50Hz) | |
| Input Terminals | RGB: mini D-sub 15pin x 2 Video: RCA x 1 + S-VIDEO x 1 Digital: HDMI*3 x 1 Audio: Stereo mini jack (ø3.5mm) x 1 | |
| Output Terminals | RGB: mini D-sub 15pin x 1 Audio: Stereo mini jack (ø3.5mm) x 1 | |
| Communication Terminal | Serial: D-Sub 9pin x 1 (RS-232C) | LAN: RJ-45 x 1 |
| Speaker Output | 10W Mono | |
| Dimensions (W x H x D) | 11.1" x 3.6" x 9.0" (Not including protrusion) | |
| Weight | 6.4lbs | |
| Power Requirements | AC 100-240V, 50/60Hz | |
| Optional Accessories | Replacement Lamp (VLT-EX320LP), Wall Mount (PROJ-SWM) | |
| Supplied Accessories | Soft carrying bag, Remote control (w/ 2 batteries), Power cable, VGA(D-sub) cable, Lens Cap, Lamp replacement tool | |
| Warranty | 3-Years of Parts/Labor, 3-Years of Express Replacement Assistance (ERA), 1-year or 500 hours lamp warranty (whichever comes first) | |

- Compliant with ISO21118-2005
- All brand names and product names are trademarks, registered trademarks or trade names of their respective holders.
- *1: Actual values may vary slightly from those listed here.
- *2: Lamp service life varies depending on usage environment and maintenance.
- *3: HDMI, the HDMI Logo, and High-Definition Multimedia Interface are trademarks or registered trademarks of HDMI Licensing LLC in the United States and other countries.

Screen size and Projection distance



EX321U-ST Screen size chart (4:3 aspect ratio)

| Diagonal Size | | Screen Width (W) | | Screen Height (H) | | Distance from screen (L) | | Height projected image (Hd) | |
|---------------|-----|------------------|-----|-------------------|-----|--------------------------|-----|-----------------------------|----|
| inch | cm | inch | cm | inch | cm | inch | m | inch | cm |
| 40 | 102 | 32 | 81 | 24 | 61 | 19 | 0.5 | 4 | 9 |
| 60 | 152 | 48 | 122 | 36 | 91 | 29 | 0.7 | 5 | 14 |
| 80 | 203 | 64 | 163 | 48 | 122 | 39 | 1.0 | 7 | 18 |
| 100 | 254 | 80 | 203 | 60 | 152 | 49 | 1.2 | 9 | 23 |
| 120 | 305 | 96 | 244 | 72 | 183 | 58 | 1.5 | 11 | 27 |
| 150 | 381 | 120 | 305 | 90 | 229 | 73 | 1.9 | 14 | 34 |
| 200 | 508 | 160 | 406 | 120 | 305 | 97 | 2.5 | 18 | 46 |
| 250 | 635 | 200 | 508 | 150 | 381 | 122 | 3.1 | 23 | 57 |
| 300 | 762 | 240 | 610 | 180 | 457 | 146 | 3.7 | 27 | 69 |

The above numbers are approximate, and may be slightly different from the actual measurements.

EW331U-ST Screen size chart (16:10 aspect ratio)

| Diagonal Size | | Screen Width (W) | | Screen Height (H) | | Distance from screen (L) | | Height projected image (Hd) | |
|---------------|-----|------------------|-----|-------------------|-----|--------------------------|-----|-----------------------------|----|
| inch | cm | inch | cm | inch | cm | inch | m | inch | cm |
| 50 | 127 | 42 | 108 | 26 | 67 | 21 | 0.5 | 1 | 3 |
| 60 | 152 | 51 | 129 | 32 | 81 | 25 | 0.6 | 2 | 4 |
| 80 | 203 | 68 | 172 | 42 | 108 | 33 | 0.8 | 2 | 5 |
| 100 | 254 | 85 | 215 | 53 | 135 | 41 | 1.1 | 3 | 7 |
| 150 | 381 | 127 | 323 | 79 | 202 | 62 | 1.6 | 4 | 10 |
| 200 | 508 | 170 | 431 | 106 | 269 | 83 | 2.1 | 5 | 13 |
| 250 | 635 | 212 | 538 | 132 | 337 | 104 | 2.6 | 7 | 17 |
| 270 | 686 | 229 | 582 | 143 | 363 | 112 | 2.8 | 7 | 18 |
| 300 | 762 | 254 | 646 | 159 | 404 | 124 | 3.2 | 8 | 20 |

The above numbers are approximate, and may be slightly different from the actual measurements.



for a greener tomorrow

Eco Changes is the Mitsubishi Electric Group's environmental statement, and expresses the Group's stance on environmental management. Through a wide range of businesses, we are helping contribute to the realization of a sustainable society.

MITSUBISHI ELECTRIC VISUAL SOLUTIONS AMERICA

Professional Product Sales
Phone: 888.307.0349
www.mitsubishi-presentations.com



PRESENTATION PRODUCTS

MITSUBISHI ELECTRIC SALES CANADA, INC.

Display & Imaging Solutions Division
Phone: 905.475.7728
www.mitsubishielectric.ca