



# NotevisionC40

Now there's an LCD projector that's been designed with the kind of thinking that better reflects your own: bright, sharp and clear. The new NotevisionC40 from Sharp is extraordinarily flexible and beautifully compatible for ultra-easy permanent installation, set-up and operation. It's also perfectly portable. The new C40 is almost universally compatible with a wide variety of signals. It's easily carried, connected and operated. And the C40 is our brightest projector yet in this class; Bright enough to shine in almost every setting including classrooms, collaborative workgroups and meeting rooms.

## Brighter Light. Truer Images.

The Notevision series has always been known for its brightness. The new NotevisionC40 carries on that tradition by being brighter than ever with a full 2000 ANSI Lumens brightness for images that are truly vibrant.

## Technology That Works for You.

The C40 is brimming the latest in connectivity and convenience. It features color-coded interface points for easy connections to both Macs and PCs, along with audio (CD, DVD, VCR and more) and video sources. And with Intelligent ImageACE Resizing, the C40 accommodates true XGA resolution (1024 x 768) and scales down to VGA (640 x 480) and all the way up to UXGA (1600 x 1200) while maintaining full-screen coverage. In fact, the C40 has separate connections for S-video and composite video. So, for example, you can have video from both a document camera and VCR. They can be connected directly and selected individually without an external switcher. There's even a wireless "Power Remote" with mouse control and laser pointer for total control from anywhere in the room. The end result is that any room can be turned into a multimedia experience.



## Software You Can Customize to Your Thinking.

Everybody has their own style of presenting, so Sharp has made it easy to customize the C40's performance. For example, the C40 comes with the Sharp Advanced Presentation Software (S.A.P.S). This software controls and manages projection functions and operating conditions from a remote desktop or control system. The C40's computer output allows you to watch your own presentation on a personal computer monitor as your audience watches the projected image. Just some other ways the NotevisionC40 offers you new options, greater flexibility and more power in making presentations.

## It's Never Been Easier to Show Off the Power of Your Thinking.

Sharp uses some very high-powered technology to help make your job of presenting easier. The NotevisionC40 includes the Sharp PresenterPAK. It has a unique set of built-in features such as a customizable start-up screen, break timer for meeting control, freeze and enlarge functions and presentation support tools.

There's the exclusive Sharp AutoSYNC for automatic adjustment of incoming signals, digital enlarge and freeze, and our advanced Digital Keystone Correction with edge smoothing. It eliminates the "trapezoidal" and uneven shapes that result when images are projected at an angle. With Notevision, you spend your time making your presentation, not fiddling with your projector.

Wireless "power remote" with built-in mouse and laser pointer



Simple Set-up

High Brightness

Built-in Audio

Multiple Inputs/Outputs

Built-in Presentation Tools

Sharp Express Repair

Digital Keystone Correction

Sharp PresenterPAK



Full complement of inputs and outputs



# XG-C40X

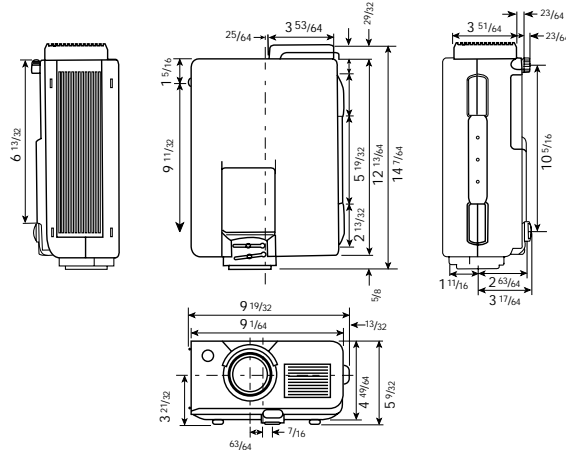


# Notevision C40

## Specifications

Resolution	Native XGA (1024 x 768) - 750 TV lines
Panel Type	3 - 0.9" Polysilicon TFT LCD
H & V Frequency	fH 15-126 kHz / fV 43 - 200 Hz
Dot Clock	12 - 230 MHz
PC Compatibility	Up to UXGA with ImageACE Resizing
Mac Compatibility	21" up to 1280 x 1024 with ImageACE Resizing
WS Compatibility	1280 x 1024 (various modes w/ ImageACE Resizing)
Video System	NTSC/DTV/PAL/SECAM - Interlaced or Progressive Scan DTV/HD Compatible 480i/480p/720p/1080i
Resizing	Advanced ImageACE Resizing - up to UXGA
Brightness	2000 ANSI Lumens w/ 90% CCR
Contrast Ratio	250:1
Lens Type	1.3:1x Manual Zoom and Focus
PC Control	RS-232C
Remote Control	IR w/ Mouse Control, Laser Pointer
IR Carrier Frequency	38 kHz
Audio System	3 Watt Monaural
Lamp	200 Watt NSH, User-replaceable
Fan Noise	39 dB
Power Source	100 - 240V AC, 50/60Hz
Power Dissipation	1130 BTU/hour
Power Consumption	300 Watt
Dimensions	9.0" x 4.8" x 12.2" (main body)
Weight	10.6 lbs.

all measurements in inches



Design and specifications are subject to change without notice.  
All trademarks are property of their respective holders.

An RGB signal cable and adapter are included for direct connection with UXGA, SXGA, XGA, SVGA, VGA and Mac compatible computers. A third party adapter may be required for those computers whose output does not conform with Sharp's technical specifications. The XG-C40X offers a wide range of compatibility with our PC's, graphic cards and modes. Please refer to the owner's manual for further details on computer compatibility. Image quality of UXGA (200Hz) images may vary depending on the connected PC.

# XG-C40X

## Input/Outputs

- 2 - RGB/Computer Inputs (15 pin HD Female)
- 1 - Computer/RGB Output (15 pin HD Female)
- 2 - Video Inputs [Composite (RCA) and S-Video (4-pin DIN)]
- 2 - Stereo Audio Inputs (RCA pair L/R; 3.5mm Stereo Minijack)
- 1 - Audio Out (3.5mm Stereo Minijack)
- 1 - RS-232C Serial Port (9 pin D-sub Male)

## Included Accessories

Backlit Wireless Remote with Laser Pointer and Mouse Control,  
Two AA Batteries, 9' RGB Signal Cable, 12' Grounded AC Cord, 270°  
Wireless Mouse IR Receiver, USB Mouse Adapters, Sharp Advanced  
Presentation Software, 9' Audio Cable, DIN to DSub RS - 232C Adapter,  
Air Filter, Lens Cap and Owners Manual.

Distance From Screen	Screen Sizes		
	Diag.	Width	Height
4'8"	40"	32"	24"
6'1"	60"	48"	36"
7'1"	84"	67"	50"
9'3"	100"	80"	60"
9'11"	150"	120"	90"
13'1"	200"	160"	120"
11'11"	300"	240"	180"
15'6"			
17'8"			
23'1"			
23'6"			
30'7"			
35'4"			
46"			

\* The Sharp XG-C40X can be installed as close as 4.8' feet from the screen -  
or as far away as 46 feet, projecting an image size of up to 300" (diagonal).

**SHARP**  
SHARP ELECTRONICS CORPORATION



**SHARP**

# Notevision C40



Thinking that  
lights up the  
whole room.



XG-C40X

