

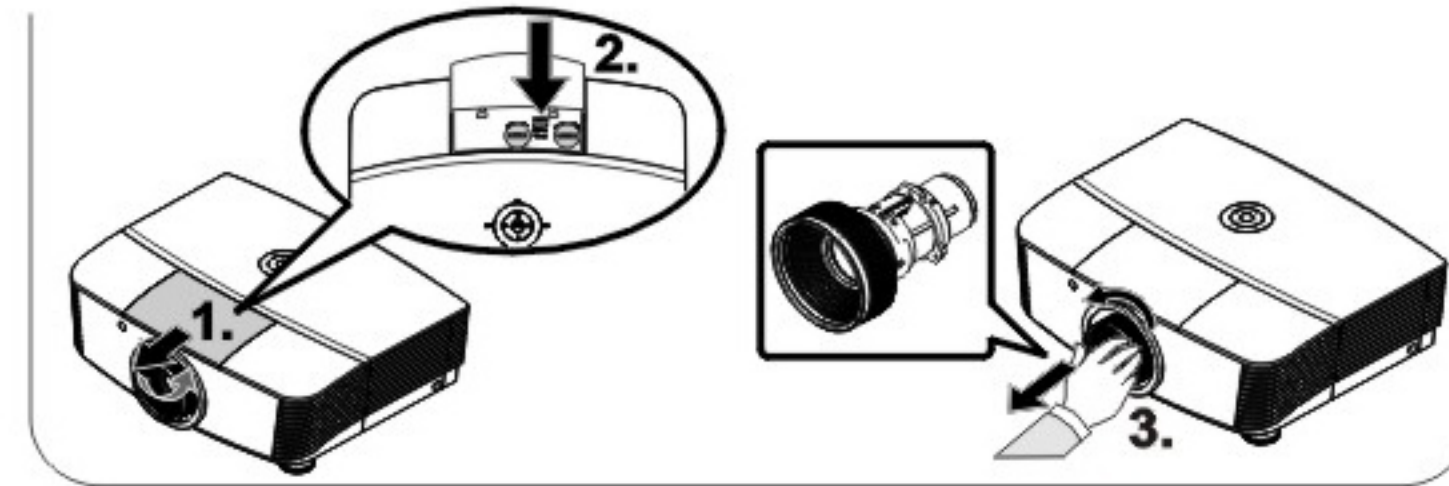
Specification

Model	H5080	H5082	H5085
Display type	TI DLP DMD 0.65"		
Native Resolution	1920 x 1080		
Contrast Ratio	1600 Lumens	1700 Lumens	1800 Lumens
Brightness	25,000:1	30,000:1	35,000:1
Lens type	Standard		
Projection distance	1.5 meters ~ 7 meters		
Projection screen size	37" ~ 300"		
Projection lens	Manual Focus/ Manual Zoom		
Zoom ratio	1.25		
Vertical keystone correction	+/- 15 degrees		
Projection methods	Front, Rear, Desktop/Ceiling (Rear, Front)		
Data compatibility	VGA, SVGA, XGA, SXGA, SXGA+, UXGA, Mac		
SDTV/ EDTV/ HDTV	480i, 576i, 576p, 480p, 720p, 1080i, 1080p		
Video compatibility	NTSC 4.43, PAL (M/N/60), SECAM		
H-Sync	15.31 90 kHz		
V-Sync	43 85 Hz		
Weight	8.5 kg (19 lbs)		
Dimensions	431 mm (W) x 181 mm (H) x 344 mm (D)		
AC Input	AC Universal 100 ~ 240, Typical @ 110VAC (100~240)/10%		
Power consumption	Standard mode: 310W/ Boost mode: 370W		
Stand By	< 1 watt		
Lamp	280W		
Input Terminals	Digital: HDMI x 3 , Analog: RGB HD-15 x 1 , Composite: RCA x 1 (Yellow) S-Video: mini d1m x 1 , Component: RCA x 3		
Control Terminals	RS-232 DC_out (screen trigger): DC Jack x 2 (DC12V 200mA output function) Keyboard Emulation Control: USB connector type B		
Safety certification	FCC-B, UL, cUL, CB, CE, CCC, KC, PCT, and C-tick		
Security	Kensington lock		
Other Feature	DB only,	DB, Iris, ISFccc	DB, Iris, ISFccc

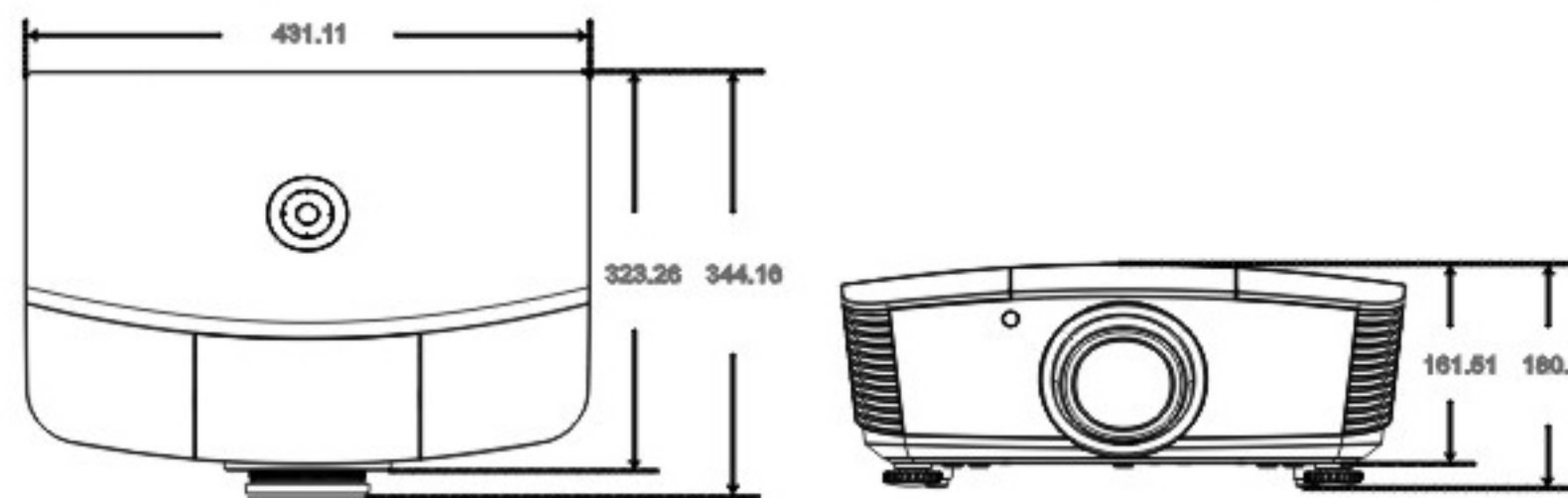
Specification subjects to change without notice.

Self-Changeable All Glass Lens

The newly developed high-performance zoom lens features a large diameter, all-glass lens system with 15 elements in 6 groups includes 1 coated ED lens originally from Japanese Lens Manufacturer to project a full HD image with exceptional depth. In addition to its high-precision lens, which also feature a 9 step "Iris" adjustment of brightness an darkness based on the user preference.



Dimension



Best Energy Saving

< 1w standby power consumption



A mission from Vivitek Environmental Protection

- ▶ Hi-efficiency power switching: reduces power consumption.
- ▶ Less than 1w power consumption in standby mode
- ▶ All Lead-Free components provides a Green environment



Vivitek Corporation



Http://www.vivitekcorp.com

©2009 Vivitek Corporation, Values, Weights and dimensions shown are approximate. Errors and omissions accepted. Specification are subject to change without prior notice. This product maybe subject to export regulations. Vivitek is trademark of Vivitek Corporations. Projection images simulated.

2009/07



H5080 series
1080P Home Theater Projectors



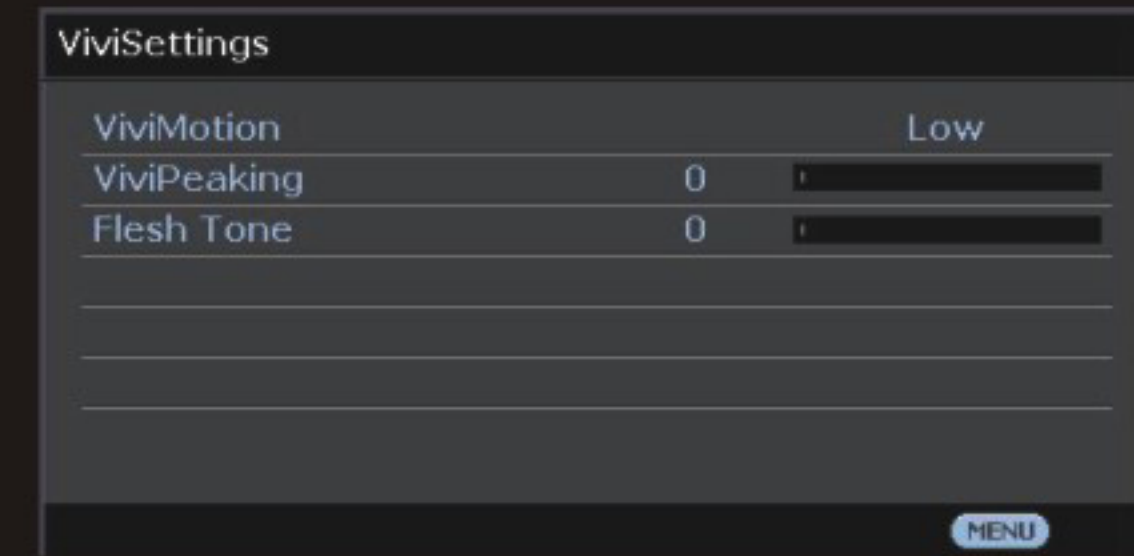
H5080 Series

True HD- High Definition

The Vivitek H5080 series offers user a complete new experience in performance. In addition to the brand new design including sharp central lens, and exceptional contrast ratio, the H5080 series also offer 2 optional lens to satisfy the requirements of the most demanding home theater fanatic enthusiast.



► Advanced "ViviMotion" Engine for Stunning Smooth Motion Picture



"ViviMotion" Engine brought by Vivitek, a new technology that user can enable and control motion detection, motion reimbursement to remove the judder, enhances sharpness and delivers smooth motion for fast action images or pictures.

► Dual Technology (Iris + DynamicBlack™)

Iris & DynamicBlack™ technology enables the projector to automatically optimize the display of dark movie scenes enabling them to be shown in incredible detail to the overall brightness of darker scenes resulting in a better black level and incredible detail.

"Iris" technology build in H5080 series features 9 settings to increase or decrease the contrast ratio for bright or dark scene by opening or closing Iris gradually



With Vivimotion Without Vivimotion With Vivimotion Without Vivimotion



With DynamicBlack™ Without DynamicBlack™

DynamicBlack™ technology achieve a 3 to 4 times increase in contrast ratio over native contrast ratio and black level helps the H5080 series produce images contain the maximum amount of detail possible in dark scenes without compromising black level.



With DynamicBlack™ Without DynamicBlack™

3D Noise Reduction



With 3D Noise Reduction Without 3D Noise Reduction

Vivitek's Vivimotion 3D noise reduction also allows the codec's to work much more efficiently, creating high stream video eliminating noise level

Outstanding Features:

■ Gamma Adjustment

Up to 14 settings allows user to adjust projector luminance levels.

■ Closed Caption

Captions can be used by viewers tend to read a transcript along the program audio

■ HDMI Amplifier Gain

Supports longer or extended HDMI cable to boost the signal

■ ISF Function On Screen Display (H5082/H5085 only)

H5080 series features ISF function on OSD where locked Non-Volatile calibrated preset for superior video image fine tuned by ISF certified professional

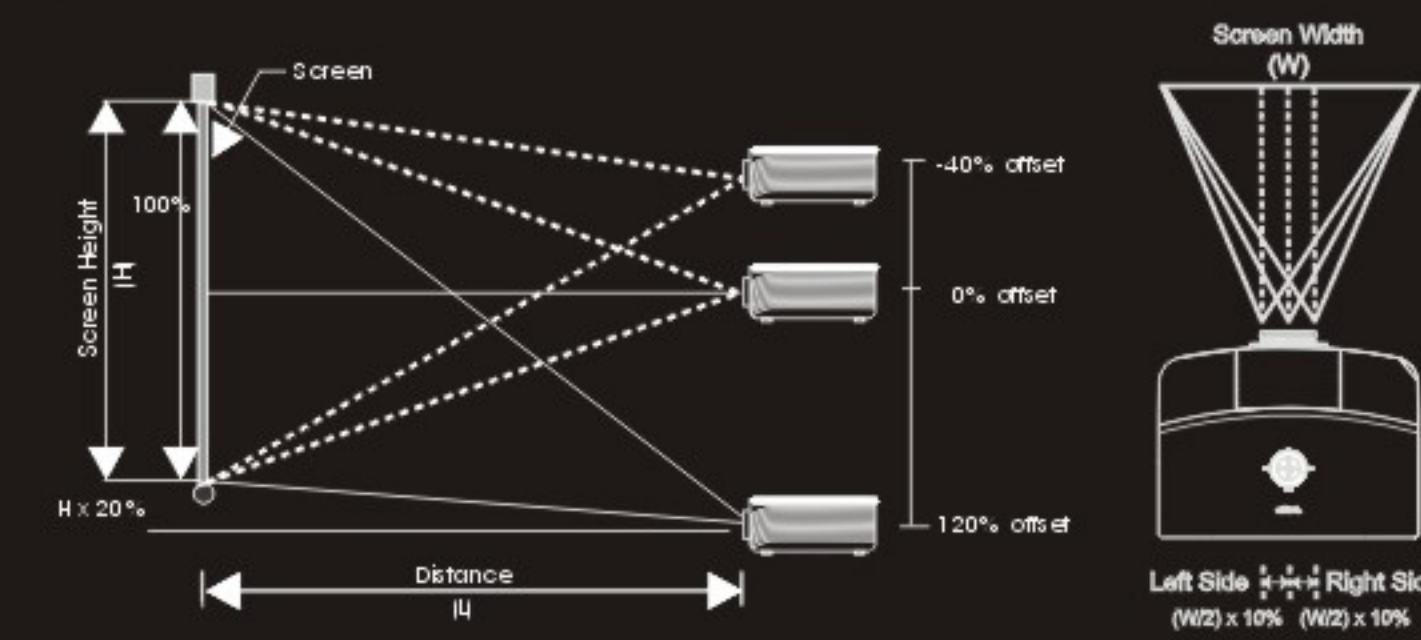
■ HSG Adjustment

Features HSG Adjustment that interpolates colors individually by R, G, B, C, Y, or M, in three settings: Hue/Saturation/Gain

■ Easy Access Remote Control

The H5080 series remote is backlit where the attractive blue back light is on the center of the bottom row. H5080 series delivered almost all the primary and even secondary functions right on the remote such as HDMI, Component, Contrast Ratio, Sharpness, Volume, TINT, etc.

■ Manual Lens Shift



Pretty much like Flagship H9080FD, the H5080 series provides greater installation flexibility on both Vertical shift (-40/+120%) and Horizontal Shift (+/-10%). The user can spend less time on the installation without moving projector. Lens shift re-position provide a great leeway for enjoyment.



■ H5080 Series Bayonet Lens

Lens	Part #: VL903G	Part #: VL901G	Part #: VL905G
Lens Type	Short Throw	Standard	Long Throw
Zoom Ratio	Fixed	1.25 Manual	1.5 Manual
Focus	Manual	Manual	Manual
Throw Ratio	0.77	1.54~1.93	1.93~2.89

■ Projection Size & Distance

Standard projection lens: TR: 1.54 ~ 1.93	TELE				WIDE				
	Distance (m)	3.42	4.27	8.55	1.36	2.73	3.41	10.23	
Diagonal (Inch)	30	80	100	200	40	80	100	300	
Image Height (mm)	373.6	996.2	1245.3	2490.5	498.1	996.2	1245.3	3735.8	
Image Width (mm)	664.1	1771.0	2213.8	4427.6	885.5	1771.0	2213.8	6641.4	
Long throw projection lens: TR: 1.93 ~ 2.89									
	TELE				WIDE				
	Distance (m)	5.12	6.40	25.59	2.14	3.42	4.27	19.23	
Diagonal (Inch)	50	80	100	400	50	80	100	450	
Image Height (mm)	622.6	996.2	1245.3	4981.1	622.6	996.2	1245.3	5603.7	
Image Width (mm)	1106.9	1771.0	2213.8	8855.2	1106.9	1771.0	2213.8	9962.1	
Short throw projection lens: TR: 0.77									
	FIX								
	Distance (m)	0.5	1.4	3.0	3.4				
Diagonal (Inch)	30	80	175	200					
Image Height (mm)	373.6	996.2	2179.2	2490.5					
Image Width (mm)	664.1	1771.0	3874.2	4427.6					