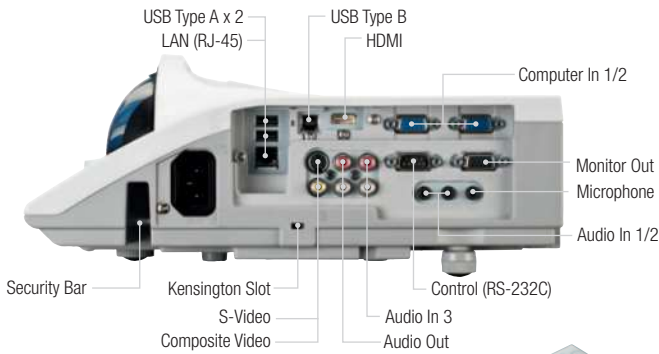


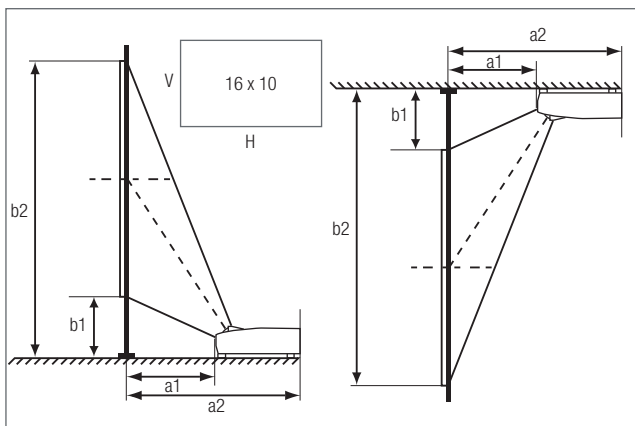
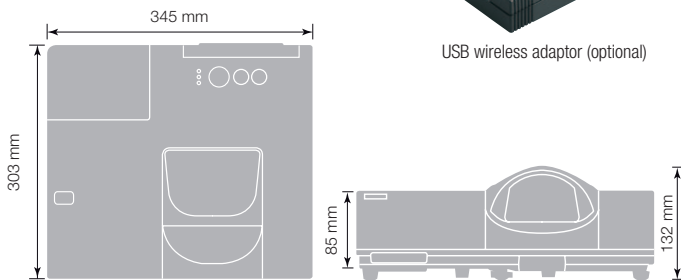
CP-DW25WN

Technical Specifications

HITACHI
Inspire the Next



USB wireless adaptor (optional)



Throw distance (from lens to screen)

Screen size (diagonal)	H x V		a1	a2	b1	b2
	(m)	(m)				
60" (1.5m)	1.292	0.808	0.586	0.850	0.242	1.050
70" (1.8m)	1.508	0.942	0.692	0.956	0.272	1.214
80" (2.0m)	1.723	1.077	0.799	1.063	0.302	1.379
90" (2.3m)	1.939	1.212	0.905	1.169	0.331	1.543
100" (2.5m)	2.154	1.346	1.011	1.275	0.361	1.707



OPTICAL

LCD Panel	0.59" (1.5cm) P-Si TFT x 3
Resolution	WXGA (1280 x 800)
White light output (brightness)	2500 ANSI Lumens (Normal Mode)/1600 ANSI Lumens (Eco Mode)
Colour light output (colour brightness)	2500 ANSI Lumens (Normal Mode)/1600 ANSI Lumens (Eco Mode)
Contrast ratio	3000:1
Lens	Manual focus, Digital zoom x 1.2
Lamp wattage	215W UHP
Lamp life	3000 hours (Normal Mode)/5000 hours (Eco Mode) ¹
Diagonal display size	60~100" (152~254cm)
Number of colours	8 Bit/colour, 16.7M colours
Keystone	5.5:-1 upward shift, fixed
Focus distance	0.547m~0.972m (Wide)
Distance to width ratio	0.4:1

COMPATIBILITY

Computer compatibility	IBM Compatible VGA, SVGA, XGA, WXGA, WXGA+, SXGA, SXGA+, UXGA (compressed), MAC 16"
Composite/S-Video	NTSC, PAL, SECAM, PAL-M, PAL-N, NTSC4.43
Component Video	525i(480i), 525p(480p), 625i(576i), 1125i(1080i@50/60), 1125p(1080p@50/60), 750p(720p@50/60)
HDMI Video	Signal: 525i(480i), 525p(480p), 625i(576i), 1125i(1080i@50/60), 750p(720p@50/60), 1125p(1080p@50/60)
Plug & Play	DDC2B

FEATURES

Speakers	10W x 1 (mono)
Basic functions	Freeze, Magnifying, Blank, Auto adjustment, Search, Page Up & Down (for USB mouse function), Auto signal search, Auto eco mode
Picture adjustments	Aspect selection (video, data, HDMI), Equalizing Digital Gamma Correction, Equalizing Color temperature adjustment, 2-3 pull down for NTSC, Mirror reverse image, up-side down image, Progressive Scan, Noise Reduction, Overscan
Digital keystone correction	Vertical $\pm 5^\circ$ (WXGA@60Hz)
Advanced features	MyScreen, My Memory, My Button, My Text, My Source, Picture mode (normal, cinema, dynamic, blackboard, whiteboard greenboard, photo), Daytime Mode, Input Source Naming (English), Resolution setting, Template, Closed Caption (for NTSC & component 480i only), Audio pass through, Framelock, Audio ports assign, Cloning, Drawing function (Optional wireless pen tablet TB-1 is necessary), Eco Mode (Normal, Eco, Intelligent eco, Saver), iOS Connectivity, ImageCare™
Outward	Easy lamp replace from top, Air filter slides towards front side or top
Power on & off	Direct On, Auto Off
Security systems	Security bar, PIN-Lock, MyScreen Password, Key Lock (key pad and remote control), Kensington slot, Transition detector, My Text Password, Security label
Network	Network presentation (PC still/moving picture transfer), Configure and control projector via web browser, receive alerts via e-mail, projector management via SNMP, Crestron RoomView®, Scheduling, My Image, displaying text data transferred via the network, Command Control via network, AMX Device Discovery, PJ Link™, Network Bridge
OSD languages	English, French, German, Spanish, Italian, Norwegian, Dutch, Japanese, Portuguese, Simplified Chinese, Traditional Chinese, Korean, Swedish, Russian, Finnish, Polish, Turkish, Arabic, Persian, Czech, Danish, Hungarian, Romanian, Slovenian, Croatian, Greek, Lithuanian, Estonian, Latvian, Thai, Portuguese (Brazil), Indonesian, Vietnamese

CONNECTIONS

Digital input	1 x HDMI (HDCP compatible)
Computer input	2 x 15-pin Mini D-sub
Monitor output	1 x 15-pin Mini D-sub
Video input	2 x 15-pin Mini D-sub (shared with analogue computer in 1/2), 1 x RCA for composite, 1 x Mini-DIN for S-Video
Audio input	2 x Stereo Mini Jack, 1 x RCA (L/R) pair, 1 x Microphone Jack
Audio output	1 x pair RCA (L/R)
USB Type A	2 x USB Type A (for PC-less presentation or wireless network)
USB Type B	1 x USB Type B (for USB display or USB mouse control)
Wired Network	1 x RJ-45
Wireless Network	IEEE801.11b/g/n ready (optional USB wireless adaptor required)
Control	1 x 9-pin D-sub for RS-232C control

POWER

Power supply	100-120V/220-240V, auto switching
Power Consumption/Standby	300W/<0.35W (AC 220-240V)

PHYSICAL

Dimensions (W x H x D)	345 x 85 x 303mm (excluding feet and extrusions)
Weight	3.7kg
Noise level	28dB (Eco Mode)/34dB (Normal Mode)
Air filter	Hybrid (Up to 4000 hours)

MISCELLANEOUS

Indicator lights (lamp, temp, power), Ceiling mount image, Rear projection image, Serial number label on side, MAC PC support: PJ Control software, MAC address label on front, LiveViewer software

CERTIFICATION

UL60950-1/cUL, FCC Part 15 subpart B class B, CE Marking: EN61000-3-2, EN61000-3-3, EN55022, EN55024 (EMC Directive), EN60950-1 (Low voltage directive), WEEE, RoHS, ErP (lot6) compliant, DEMKO-GS, GOST-R

ACCESSORIES SUPPLIED

Remote control with batteries (HL02881), Computer cable, Power cord, Lens cap, Security label, Adapter cover, User manual (detail & concise), Application CD

OPTIONAL ACCESSORIES

Replacement lamp	DT01381
USB wireless adaptor	USB-WL-11N
Wireless pen tablet	TB-1
Interactive camera unit	IM-1

WARRANTY

Projector/Lamp 3 Years/6 Months²
For education and extended warranties please contact your local dealer

ProSelecta

View :: Compare :: Select - www.ProSelecta.com