



*Notevision users throughout the world agree that Sharp understands the big picture, and the new Notevision C30 continues the winning legacy. Consider its flexibility: it's perfectly portable, yet it's easily mounted for stationary use. It's compatible with a wide range of signals. And it's easy to carry, hook-up, and operate. The Notevision C30 is bright enough to excel in classrooms, meeting rooms and conference rooms.*

# NOTEVISION C30 projector

## LIGHT PROJECTOR

One of Notevision's hallmarks is the ability to offer a list of user-friendly features in small frame projectors. The Notevision C30 is no exception: it's only 11.7 pounds. Pack it into a carry bag with a laptop for "on the road" presentations. The laptop/projector combination guarantees professionalism while delivering clear images, crisp sound and vibrant color. With 1500 ANSI Lumens brightness, you're bound to grab and hold your audience's attention.



WIDE ASSORTMENT OF OPTIONAL ACCESSORIES

## MULTIPLE USES

For the Notevision C30, compatibility is paramount. It has multiple computer and video inputs for connection to desktops, laptops, DVD players, VCRs, and more. Because it's a Notevision, it can handle a wide range of frequencies allowing hook-up to just about any source. With a native resolution of 1024 x 768 (XGA) along with its Intelligent ImageACE Resizing technology, the Notevision C30 can project full screen images with resolutions up to 1600 x 1200 (UXGA). And it has been designed to retain the millions of colors inherent in today's high-resolution digital images.



FULL COMPLEMENT OF INPUT AND OUTPUTS



Simple Set-up



Highest Brightness



Built-in Audio



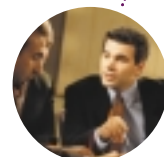
Multiple Inputs/Outputs



Sharp Express Repair



Built-in Presentation Tools



Digital Keystone Correction



Sharp PresenterPAK



## INDIVIDUAL PREFERENCES

Different presenters have different preferences, so Sharp has included some personal features. Take, for example, The Sharp PC control technology. The Notevision C30 includes the Sharp Advanced Presentation Software allowing users to control the projection system via "remote access" — that is, from a remote desktop or control system. Or the Notevision C30's computer output, which lets a presenter watch a personal computer monitor as the group watches the projected image. Simple features with powerful results.

## HEAVY FEATURES

Simply put, Sharp uses technology to make presentations easier, not harder. Imagine the freedom. Notevision C30 includes the Sharp PresenterPAK feature package. This unique set of built-in features is designed to easily connect, perfect and present your images.

AutoSYNC, a technology exclusive to Sharp, automatically adjusts incoming signals — it is not necessary to "fine tune" the picture. Also included are Presentation Tools, such as digital enlarge or freeze, to create impact when presenting. Sharp's advanced digital keystone correction with edge smoothing puts an end to the annoying "trapezoidal" and uneven shapes that result when images are projected at an angle.

Installation and connection are equally convenient. The Notevision C30 is hooked-up with color-coded cables. Red connects to red. Blue connects to blue. Easy to understand, and even easier to install. So with Notevision, your time is spent building your presentation — not your projector.



WIRELESS "POWER REMOTE" WITH BUILT-IN MOUSE AND LASER POINTER

The Notevision C30 is a prime example of the user-friendly technology Sharp puts into its Notevision projectors. One-touch features, automatic adjustments, and versatility — it's all there. And it's portable. The Notevision C30 is one projector that will perform consistently. From day to day. From presenter to presenter. From room to room.

# PG-C30XU

**SHARP**

- Resolution XGA (1024 x 768) - 700 Scan-doubled TV lines
- Panel Type 3 - 0.9" Polysilicon TFT LCD
- H & V Frequency fH 15-126 kHz / fV 43 - 200 Hz
- Dot Clock 230 MHz
- PC Compatibility XGA (VGA to UXGA w/ ImageACE Resizing)
- Mac Compatibility 1024 x 768 (up to 1280 x 1024 w/ ImageACE Resizing)
- WS Compatibility 1024 x 768 (various modes w/ ImageACE Resizing)
- Video System NTSC/PAL/SECAM - Interlaced or Progressive Scan
- Resizing Advanced ImageACE Resizing - up to UXGA
- Brightness 1500 ANSI Lumens w/ 90% CCR
- Contrast Ratio 250:1
- Lens Type 1.1.3x Manual Zoom and Focus
- PC Control RS-232C
- Remote Control IR w/ Mouse Control, Laser Pointer
- IR Carrier Frequency 40kHz
- Audio System 2 Watt Monaural
- Lamp 200 Watt, UHP User-replaceable
- Fan Noise 37 dB
- Power Source 110-240V AC, 50/60Hz
- Power Consumption 310 Watts
- Dimensions 9" x 4.75" x 12.2"
- Weight 11.7 lbs.
- Limited Warranty 2 Years Parts/Labor & Sharp ER, Lamp 90 Days
- Presentation Tools "PresenterPAK"

INPUT/OUTPUTS

- 2 - Computer/RGB Inputs (15 pin HD Female)
- 1 - Computer/RGB Output (15 pin HD Female)
- 1 - Video Input (Composite (RCA) or S-Video (4-pin DIN))
- 2 - Stereo Audio Inputs (RCA pair L/R; 3.5mm Stereo Minijack)
- 1 - Audio Out (3.5mm Stereo Minijack)
- 1 - RS-232C Serial Port (9 pin D-sub Male)

INCLUDED ACCESSORIES

Backlit Wireless Remote with Mouse Control, 9' RGB Signal Cable, 12' Grounded AC Cord, 270 Wireless Mouse IR Receiver, PS/2 and USB Mouse Adapters, Sharp Advanced Presentation Software

OPTIONAL ACCESSORIES

- AN-C100PCBAG Soft sided carry-on bag (projector & PC)
- AN-C100BAG Soft sided carry-on bag (projector only)
- AN-C100CC Hard shell carrying case (projector only)
- AN-C100WB Hard sided bag w/ wheels (projector & PC)
- AN-C100SC "ATA" style shipping case for projector
- AN-XGCM51 Ceiling mount bracket
- AN-EP101AP Extension tube for ceiling mount
- AN-JT200P Angle mount joint for ceiling mount



A BETTER WAY FOR PRESENTERS WHO DO IT EVERY DAY.

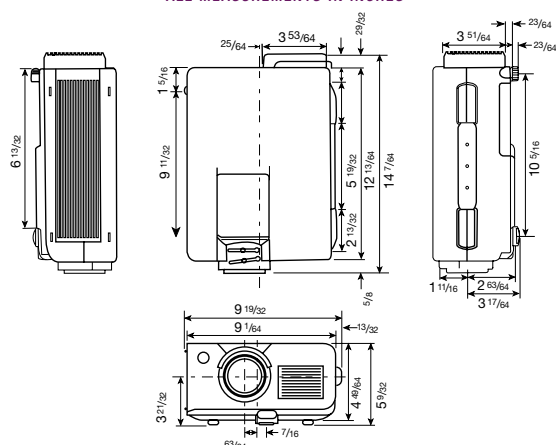


Minimum And Maximum Projection Distance From Screen To Front Of Lens

Distance From Screen	Screen Sizes		
	Diag.	Width	Height
4.63'	40"	32"	24"
6.1'	60"	48"	36"
7.05'	80"	64"	48"
9.22'	100"	80"	60"
9.48'	150"	120"	90"
12.37'	200"	160"	120"
11.91'	300"	240"	180"
15.52'			
17.95'			
23.39'			
23.52'			
30.61'			
35.37'			
46.03'			

\* The Sharp PG-C30XU can be installed as close as 4.63' feet from the screen - or as far away as 46.03' feet, projecting an image size of up to 300" (diagonal).

ALL MEASUREMENTS IN INCHES



Design and specifications are subject to change without notice. All trademarks are property of their respective holders.

An RGB signal cable and adapter are included for direct connection with UXGA, SXGA, XGA, SVGA, VGA and Mac compatible computers. A third party adapter may be required for those computers whose output does not conform with Sharp's technical specifications. The PG-C30XU offers a wide range of compatibility with our PCs, graphic cards and modes. Please refer to the owner's manual for further details on computer compatibility. Image quality of UXGA (200Hz) images may vary depending on the connected PC.



SHARP ELECTRONICS CORPORATION  
LCD Products Group  
Sharp Plaza, Mahwah, NJ 07430-2135

Sales "Hot Line" (201) 529-8731  
Fax Number (201) 529-9636  
Corporate Headquarters (201) 529-8200  
E-Mail: ProLCD@SharpSEC.com  
**1-888-GO-SHARP • www.sharpLCD.com**  
Literature Fax Back (201) 512-2380

