

NEC

Projector

U321H

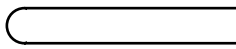
User's Manual

Model No.
NP-U321H

Sales: 1300 88 11 79

www.Projectisle.com.au

7 DEOH RI & R.Q.W.H.Q.W.V..1.	6(77,1* _ '\$9\$1&(' _
8 VDJH 1.R.W.L.F.H.....2..	6(&85,7.<.....41.
3 UHFDX.W.L.R.Q.V.....2..	6(77,1* _ '\$9\$1&(' _
, QWURG.X.F.W.L.R.Q.....4..	1(7:25.....43.
3 URGXFW)H.D.W.X.U.H.V.....4.	237,216 _ *(1(5\$/.....4.
3 DFNDJH 2Y.H.U.Y.L.H.Z.....5.	237,216 _ /\$03),/7(5
3 URGXFW 2Y.H.U.Y.L.H.Z.....	6(77,1*6.....4..
3 URMH.F.W.R.U.....	237,216 _ ,1)250\$7.,2.1....48
&RQQHFWL.R.Q..3.R.U.W.V.....	237,216 _ '\$9\$1&(!.....4
&RQWUR.O..3.D.Q.H.O.....8..	\$ S S H Q G L F H V.....5..
\$W W D F K L Q J W K H . & D E . O H . & R Y H U	7URXE OHV.K.R.R.W.L.Q.J.....5.
5 H P R W H & R . Q . W . U . R . O1..	Q V W D O O L Q J D Q G & O H D Q L Q
% D W W H U \ , Q . V . W . D . O . O . D . W . I . R . Q	\$ L U) L O . W . H . U55
9 L H Z L Q J ' , P . D . J . H . V18	5 H S O D F L Q J . W . K H . . O . D . P . S
, Q V W D Q . O . D . W . L . R . Q1..	& O H D Q L Q J S U R F H G X U H I R U
& R Q Q H F W L Q J W . K . H . . 3 . U . R . M H F W R U	FRYHU..J.O.D.V.V.....58
& R Q Q H F W W R & R P S X . W . H . U 1 R W H E R R N	6 S H F L Å F . D . W . L . R . Q . V5.
& R Q Q H F W W R 9 L . G . H . R . . 6 R X U F H V	& R P S D W L E L O . L . W . \ . O . R . G . H . 2 /
3 R Z H U L Q J 2 Q 2 I I W . K . H . 2 3 U R M H F W R U	9 \$ \$ Q D O . R . J2.
3 R Z H U L Q J 2 Q W . K . H . . 3 . U . R . M H F W R U	+ '0, 'LJL.W.D.O.....4.
3 R Z H U 2 I Q J W 3 U R M H F W R U . 2 2	& H L O L Q J 0 R X Q W , Q . V . W . D . O . O . D . W . L . R . Q
: D U Q L Q J , Q . G . L . F . D . W . R . U23	: D O O 0 R X Q W , Q . V . W . D . O . O . D . W . L . R . Q
\$ G M X V W L Q J W K H 3 . U . R . M H F W H G - P D J H	& D E L Q H W ' L . P . H . Q . V . L . R . Q . V .
\$ G M X V W L Q J W K H + H L J K W R I 3 U R M H F W R U , P D J H	3 L Q \$ V V L J Q P H Q W V R I ' 6 X E
\$ G M X V W L Q J W K H 3 . U . R . M H F W R U . V . 3 & R Q W U R O & R G H V D Q G & D	& 2 0 3 8 7 (5 , Q S X W & R . Q . Q H F W R
\$ G M X V W L Q J 3 U R M H F W L R Q , P D J H 3 L J H	3 & R Q W U R O & R G H V D Q G & D
' L D J R Q . D . O2..	& R Q Q H F W L R Q1
8 V H U & R . Q . W . U . R . O . V2..	7 U R X E O H V K R R W L Q J . & K 2 F N /
2 Q 6 F U H H Q . ! . L V . S . O . D . \2	5 (* , 6 7 (5 < 2 8 5 3 5 2 - (& 7 . 2 5
+ R Z W R R . S . H . U . D . W . H2..	
0 H Q X 7 . U . H . H28.	
, 0 \$ * (_ * (1 (5 \$ /31	
, 0 \$ * (_ '\$ 9 \$ 1 & ('33	
6 & 5 ((1 _ * (1 (5 \$ /35	
6 & 5 ((1 _ ' 6 (7 7 , 1 * 63	
6 (7 7 , 1 * _ * (1 (5 \$ /3.	
6 (7 7 , 1 * _ 6 , * 1 \$ /3.	
6 (7 7 , 1 * _ '\$ 9 \$ 1 & ('4	

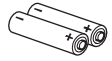
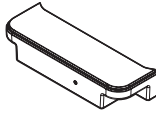
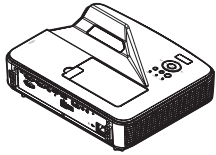


Product Features

- „ High resolution
)XOO +' [VXSSRUW
- „ 0.5 W in standby condition with energy saving technology
6HOHF>ML2G0\$/@ IRU >67\$1'%< 02'(@ IURP
FDQ SXW WKH SURMHFWRU LQ SRZHU VD
RQO\ SLMDO YDOXH
- „ Two HDMI input ports provide digital signal
7KH WZR +'0, LQSXWV SURYLGH +'&3 FRP
VLJQDOV 7KH +'0, LQSXW
- „ Quick Power Off, Direct Power Off
7KH SURMHWRU FDQ EH SXW DZD\ LPPHGL
LV SRZHUHG RQ 1R FRRO GRZQ SHULRG
SURMHFWRU LV WXUQH G RII IURP WKH U
FRQWURO SDQHO
7KH SURMHFWRU KD V D IHDWXUH FDOOH
IHDWXUH DOORZV WKH SURMHFWRU WR E
SURMHFWLQJ DQ LPDJH E\ XVLQJ WKH 0
GLVFRQQHFWLQJ WKH \$& SRZHU VXSSO\
VXSSO\ ZKHQ WKH SURMHFWRU LV SRZHU
HTXLGSSZLWK D VZLWFK DQG D EUHDNHU
- „ 8 W speaker for an integrated audio solution
3RZHUIXO ZDWW VWHUHR VSHDNHUV SU
ODUJH URRPV
- „ 3D features supported
7KH SURMHFWRU FDQ VXSSRUW /ILRONRZL
'0, '
'+4)6 '
- „ Integrated RJ-45 connector for wired networking capability
7KH FXVWRPHU FDQ FRQWURO WKH SURM
:LUHG /\$1
- „ Preventing unauthorized use of the projector
(KDKDFHG VPDUW VHFXULW\ VHWWLQJV I
FDELQHW FRQWURO SDQHO ORFN VHFXU
RSHQLQJ WR KHOS SUHYHQW XQDXWKRU
WKH IHWVHUHQFH

Package Overview

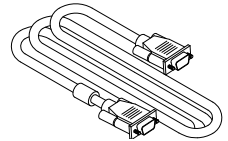
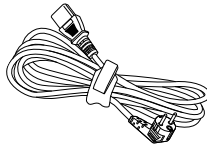
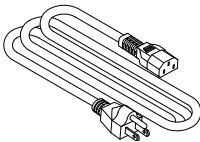
This projector comes with all the items shown below. Check to make sure your unit is completed. Contact your dealer immediately if anything is missing.



3URMHFWRU & DEOH & RYHURWH & RQDWWGULHV \$
3 1 7&3 3 1 1

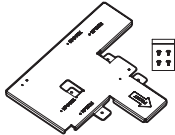
86 3 1 7&

(8 3 1 7&



3RZHU & RUG [

& RPSXWHU & DEOH \$
3 1 1



\$WWDFKPHQW 3ODVH XULW\ /DEHO
3 1 7&3

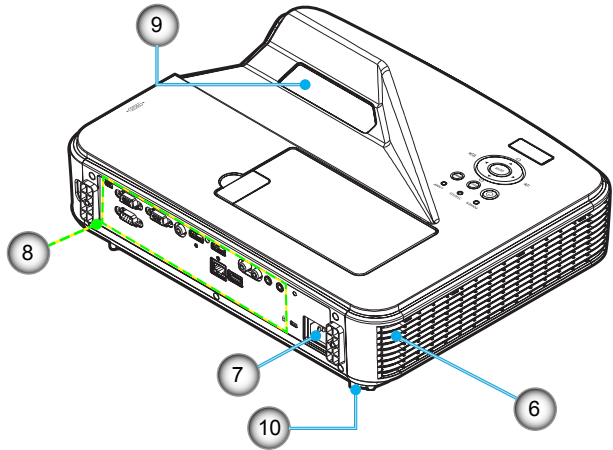
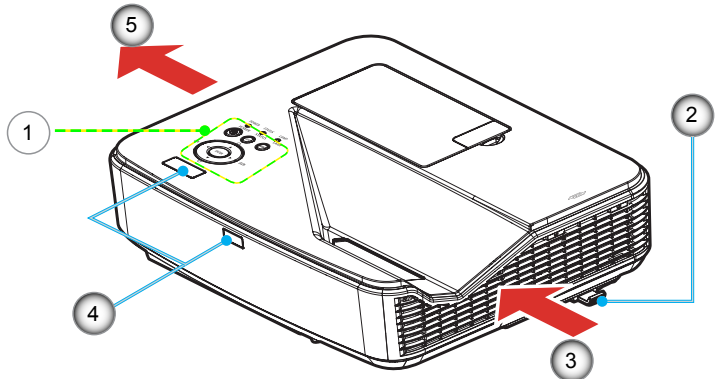


❖ 'XH WR WKH
GLIIHUHQFH LQ
DSSOLFDWLRQV
FRXQWU\ VRPH
PDI KDYH GLIIHUHQ
DFFHVVVRULHV

RFXPHQWDWLRQ
1 & 3URMHFWRU & ' 520 ,PSRUWDQW ,QIRUPDWLFR
3 1 1 1RUWK \$PHULFD 1 1
4XLFN 6HWXS *XLGH)RU 2WKHU FRXQWU\HV
3 1 1 1RUWK \$PHULFD 1 1
DQG 1 1
)RU 1RUWK \$PHULFD
) /LPLWHG :DUUDQW\
)RU (XURSH
*)XDUDQWHH 3ROLF\
)RU FXVWRPHUV LQ (XURSH <RX ZLOO AQQ RXU
3ROLF\ RQ RXU :HE 6LWH ZZZ QHF GLVSOD\ VR

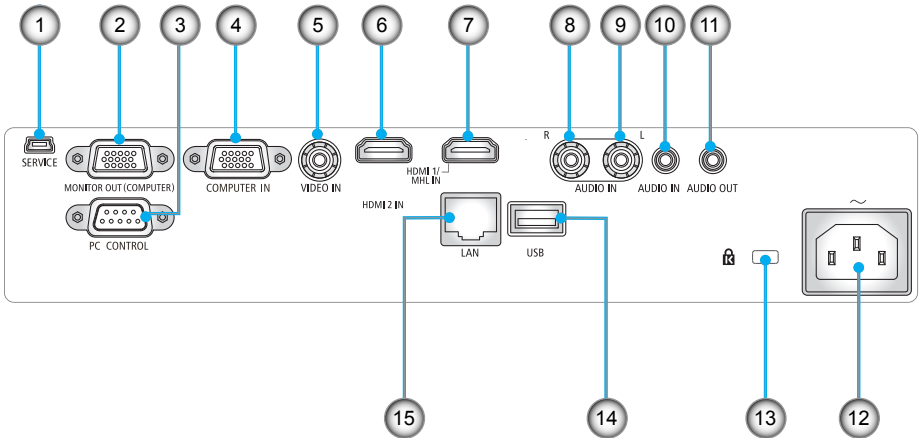
Product Overview

Projector



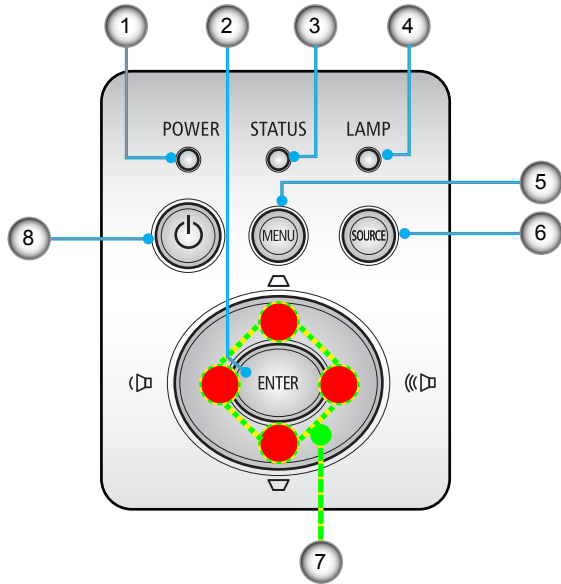
&RQWURO 3DQHO 6SHDNHU
)RFXV /HYHU \$& ,1 WHUPLQDO
,QWDNH YHQW ,QSXW 2XWSXW &R
5HPRWH &RQWURO&RFXVUR*UDVV
([KDXVW YHQW 7LOW IRRW



Connection Ports



1. 6(59,&(3RUW IRU VHUYLFH SXUSR VH
2. 021,725 287 &RQQHFWRU 6HSDUDWH V
3. 3& &21752/ &RQQHFWRU
4. &20387(5 ,1 &RQQHFWRU
5. 9,'(2 ,1 &RQQHFWRU
 +'0, ,1 &RQQHFWRU
 +'0, 0+/,1 &RQQHFWRU
 \$8',2 ,15 &RQQHFWRU
 . \$8',2 ,1/ &RQQHFWRU
 \$8',2 ,1 -DFN PP PLQL MDFN
 \$8',2 287-DFN PP PLQL -DFN
12. \$& ,1 7HUPLQDO
 .HQVLQJWRIN3RUW
14. 86% 7<3(\$ &RQQHFWRU
 /\$1 &RQQHFWRU 5-

Control Panel

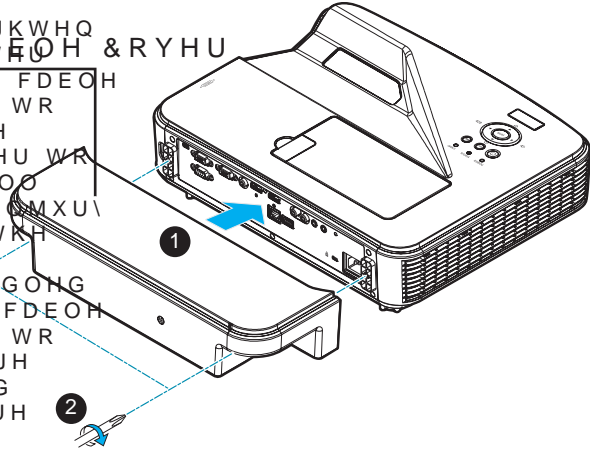


1	32:(5 /('	,QGLFDWH WKH SURMHFWR
2	(17(5	&RQÀUP \RXU VHFWLÆQ RI PHQX RSHUDWLRQ
3	67\$786 /('	,QGDWH WKH SURMHFWR VVDWXV
4	/\$03 /('	,QGLFDWH WKH SURMHFWR
5	0(18	3UHVV ´0(18µ WR ODXQFK V VFUHHQ GLVSOD\ 26' ED OHYHO RI 26' IRU WKH X26' RSHUDWLRQ
	6285&(3UHVV ´6285&(µ WR VHOHF VLJQDO
	)RXU 8V R R R R WR VHOHF L 'LUHFWLRQDQGH DGMXVPHQVV WR \ 6HOHFV .H\V
8		32:(5 7XUQ SURMHFWRU RQ RII ´3RZHU 2Q 2II WKH 3URMH RQ SDJÆ.

Attaching the Cable Cover

⚠ CAUTION:

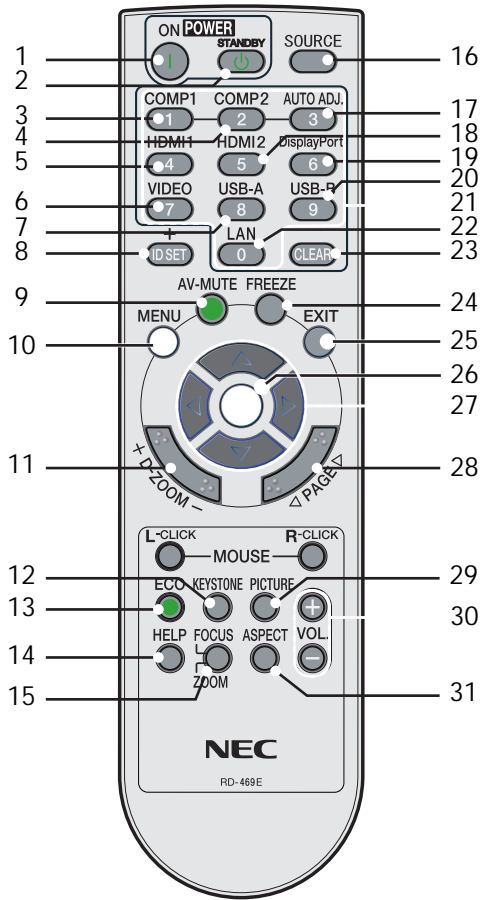
‡%H VXUH WR WLJKWHQ
 WKH VFUHZV D W F O H & R Y H U
 DWWD F K L Q J W K H F D E O H
 F R Y H U) D L O X U H W R
 G R V R P D \ F D X V H
 W K H F D E O H F R Y H U W R
 F R P H R I I D Q G I D O O
 U H V X O W L Q J L Q L M X U \
 R U G D P D J H W R W K H
 F D E O H F R Y H U
 ‡'R Q R W S X W E X Q G O N G
 F D E O H V L Q W K H F D E O H
 F R Y H U) D L O X U H W R
 G R V R P D \ G D P D J H
 W K H S R Z H U F R U G
 U H V X O W L Q J D À U H




Procedure for Attaching the Cable Cover:

0 R X Q W W K H F D E O H F R O H U W R W K H S U R M
 7 L J K W H Q W Z R V F U H Z V R Q E R W K V L G H V R

Remote Control



1  32:(5 21 3RZHU RQ WKH SURMHFWRU WKH '3RZHU 2Q 2II 3URMHFWRUµ VHFWRLO 23.

2 32:(5 2)) 3RZHU RII WKH SURMHFWRU WKH '3RZHU 2Q 2II 3URMHFWRUµ VHFWRLO 23.

3	&20387(5	3UHVV ' μ WR FKRRVH & FRQQHFWRU
4	&20387(5	1R IXQFWLRQ
5	+ '0,	3UHVV ' μ W+R0FKRRVH 0+/, 1FRQQHFWRU
	9, '(2	3UHVV '9, '(2μ WR FKRR , 1 FRQQHFWRU
	86% \$	1R IXQFWLRQ
8	, ' 6(7	1R IXQFWLRQ
	\$9 087(0RPHQWDULO\ WXUQ RI DXGLR DQG YLGHR
	0(18	3UHVV '0(18μ WR ODXQ 2QVFUHHQ GLVSOD\ 26 WKH WRS OHYHO RI 26' PDLQ PHQX RSHUDWLRQ
11	' =220	=RRP LQ RXW WKH SUR LPDJH
12	.(<6721(&RUUHFWRU	\$GMXVW WKH LPDJH WR FRQ GLVWRUWLRQ FDXV WKH SURMHFWRU YHUV GHJUHHV
13	(&2	'LP WKH SURMHFWRU O ZLOO ORZHU SRZHU FR DQG H[WHQG WKH ODPS WR S4DJH
14	+ (/3	7KLV IXQFWLRQ HQVXU DQG RSHUDWLRQ
15)2&86 =220	1R IXQFWLRQ
	6285&(3UHVV '6285&(μ WR VHC GHVLUHG LQSXW VRXUF
	\$872 \$'-	\$XWRPDWLFDOO\ V\QFK SURMHFWRU WR WKH L

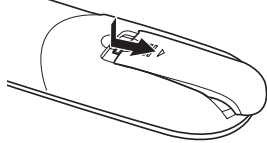
18	+ '0,	3 UHV V ' μ W+R OF, KR, R V H FRQQHFWRU
	',63/\$< 3 2 5 7	1R IXQFWLRQ
	86% %	1R IXQFWLRQ
21	1 XPEHU % X	1R IXQFWLRQ
22	/\$1	1R IXQFWLRQ
23	&/(\$5	&OH DU WKH SDVVZRUG LQ SXW WKH SDVVZRUG
24)5((=()UHH]H 7R SDXVH WKH LPDJH 3UHV V DJDLQ W VFUHHQ LPDJH
25	(;,7	([LW WKH VHWLQJV (17(5
		&RQÄUP \RXU VHFWRQ VXE PHQX RSHUDWLRQ
	◀ ▶)RXU 8VH ▼ ◀ ▶ RW R VHOHFW 'LUHFWLRQ DU OPDNH DGMXVWPHQW 6HOHFW % X W O H F W L R Q :KHQ WKH PDJQLÄHG E\ XVLQJ WK EXWWRQ ▼ ◀ ▶ EXW WRQ PRYHV WKH LPDJH
	3\$*(1R IXQFWLRQ
	3, & 785(0RGH	6HOHFW WKH 3LFWXUH 35(6(17\$7,21 +, *+ %5, *+7 9, '(2 029,(V5 %/\$&. % 2\$5' ', &20 6,0 86(5 DQG 86(5
	92/	,QFUHDVH GHFUHDVH V YROXPH
31	\$63(&7	8VH WKL V IXQFWLRQ W GHVLUHG DVSHFW UDW SD 35)



❖ :KHQ WKH
 GHPDJQLÄHG LPDJH
 LV GLVSODÄHG 28 WKH
 ▼ ◀ ▶ EXWWRQ LV
 QRW DYDLODEOH WR PRYH
 WKH LPDJH

Battery Installation

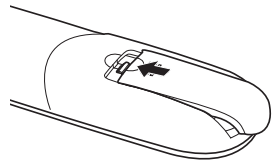
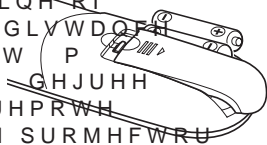
3UHVV \UPO\ DQG VOLGH WKH EDWWH



, QVWDOO QHZ EDWV WU\SHWKH\SR YHU ED
 (QVXUH WKDW \RX KEDYHWWKH HV XQWLO
 EDWWHULHV. SRODS\ SODFH 2' R QRW PL[
 DOLJQHG FRUHFVW\ SHV RI EDWWHULHV
 ROG EDWWHULHV

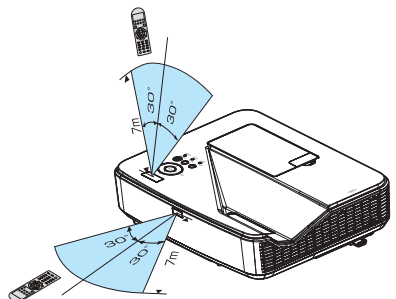
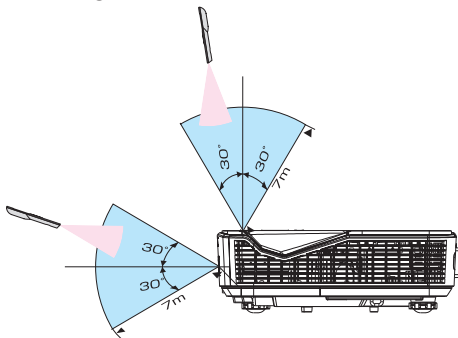


- ❖ 7KH LQIUDUHG VLJQDO RSHUDWHV E\ OLQH RI VLJKW XS WR D GLYWDQFH RI DERXW 1HHW P DQG ZLWKLQ D GHJUHH DQJOH RI WKH UHPRWH VHQVURU RQ WKH SURMHFWRU FDELQHW



Remote Control Precautions

- ❖ 7KH SURMHFWRU ZLOO QRW UHVSRQG LI WKHUH DUH REMHFVW EDWV WKH UHPRWH FRQWURO JHWV ZHW ZLS WKH UHPRWH FRQWURO D\SYRIG H\FHVVLVYH KHDW DQG KXPLGLW\ DQG WKH VHQVURU 'RUQRW SODFH WKH EDWWHU\ XSVLGH GR VWURQJ OLJKW I\PSH SODFH RQ\ ZLWK WKH VDPH RU HTXLY VHQVURU :HDN EDWVWKHUPDQXIDFWXUHU ZLOO DOVR SUHYHQW WKH UHPRWH FRQWURO IURP SURSHUO\ RSHUDWLQJ WKH SURMHFWRU



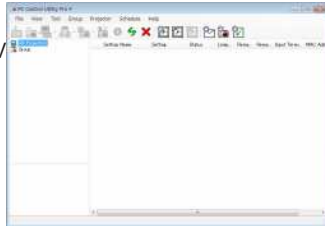
Controlling the Projector over a LAN (PC Control Utility Pro 4 for Windows/PC Control Utility Pro 5 for Mac OS)

[Using on Windows]

Using the utility software “PC Control Utility Pro 4” that you can download from our web site (<http://www.nec-display.com/dl/en/index.html>), the projector can be controlled from a computer over a LAN.



❖ :KHQ WKH SURMHFWRU
LV LQ WKH VWDQGE\ FRQGLWLRQ WKH (UURU \$OHUW IXQFWLRQ RI 3& &RQWURO 8WLWLW\ 3UR LV QRW DYDLODEOH 7R PDNH WKLW IXQFWLRQ DYDLODEOH HYHQ LQ WKH VWDQGE\ FRQGLWLRQ XVH WKH (0DLO \$OHUW IXQFWLRQ RI WKH SURMHFWRU



Screen of PC Control Utility Pro 4

7KLV VHFWLRQ SURYLGHV DQ RXWOLQH RI SU 8WLWLW\ 3UR)RU LQIRUPDWLRQ RQ KRZ WH VHH +HOS RI 3& &RQWURO 8WLWLW\ 3UR

‡6WHS ,QVWDOO 3& &RQWURO 8WLWLW\ 3UR
‡6WHS &RQQHFW WKH SURMHFWRU WR D /\$
‡6WHS 6WDUW 3& &RQWURO 8WLWLW\ 3UR

TIP:
‡3& &RQWURO 8WLWLW\ 3UR FDQ EH XVHG ZLWK
)RU XSGDWH LQIRUPDWLRQ RQ 3& &RQWURO 8WLWLW\ 3UR
KWWS ZZZ QHF GLVSOD\ FRP GO HQ LQGH[KWP

6WHS ,QVWDOO 3& &RQWURO 8WL0LW\ 3UR
 †6XSSRUWHG 26 3& &RQWURO 8WL0LW\ 3UR
 RSHUDWLQJ V\ VWHPV

```

:LQGRZV      :LQGRZV 3UR      :LQGRZV (Q
:LQGRZV +RPH %DVLF :LQGRZV +RPH 3U
3URIHVVLQRDO :LQGRZV (QWHUSULVH :LQ
:LQGRZV 9LVWD +RPH %DVLF :LQGRZV 9LVWD
9LVWD %XVLQHVV :LQGRZV 9LVWD (QWHUSU
:LQGRZV ;3 +RPH (GLWLRQ :LQGRZV ;3 3U
  
```



❖ 7R LQVWDOO RU
 XQLQVWDOO WKH SURJUDP
 WKH :LQGRZV ~~3UR~~ *Connect your computer to the Internet and download the updated PCCUP4*
 DFFRXQW PXVW ~~3UR~~ *download from our web site (<http://www.nec-display.com/dl/en/index.html>).*

>\$GPLQLVWUDWRU@
 SULYLOHJH :LQGRZV
 :LQGRZV DQG
 :LQGRZV 9LVWD 7KH ,QVWDOOHU ZLOO VWDUW DQG WKH :L

❖ ([LW DOO UXQQLQJ
 SURJUDPV EHIRUH
 LQVWDOODWLRQ , DQRWKHU
 SURJUDP LV UXQQLQJ
 WKH LQVWDOODWLRQ PDI
 QRW EH FRPSOHWHG



3 Click "Next".

'(1' 86(5 /,&(16(\$*5((0(17µ VFUHHQ ZLOO E





5 HDG '(1' 86(5 /, & (16(\$*5((0(17µ FDUHIXOO
 4 If you agree, click "I accept the terms in the license agreement" DQG WKHQ
 FOLFNF '1H[Wµ

)ROORZ WKH LQVWUXFWLRQV RQ WKH LQVWUXFWLRQV

IXQFWLRQ RI WKH 3& &RQWURO XWL OLW\ 3UR WR

TIP: Uninstalling PC Control Utility Pro 4
 ZRUN \RX PXVW IRXQG LQVWDOO 3& &RQWURO 8WLWLW\ 3UR GR
 \RXU FRPSXWHU 800QVWDOOLQJ 9LUWXDO 5HPRWH 7RROµ 5 HDG
 QLQJ DQG QRW 800QVWDOO 8WLWLW\ 3UR µ

E\ VOHHS PRGH 6HOHFW
 '3RZHU 2SWLRQVµ IURP

WKH '&RQWURO 6VHSHOHµ IURP QHQHFW WKH SURMHFWRU WR D /\$1

:LQGRZV DQG GLVSHOHFW WKH SURMHFWRU WR WKH /\$1 E\

LWV VWDQGE\ VOHHS QHQHFWLQJ WKH 3UR DQG 6VHSHOHµ IURP
 PRGH EHIRUH UXQ IURP VHU WR FRQWURO \RXU SURMHFWRUµ

WKH VFKHG XOHU
 >([DPSOH@)RU :LQGRZV 6VHSHOH 6WDUW 3& &RQWURO 8WLWLW\ 3UR

GRZV 6VHSHOH 6WDUW 3& &RQWURO 8WLWLW\ 3UR

6HOHFW '&RQWURO FOLFNF '6WDUWµ ! '\$OO SURJUDPVµ RU '3URJUDP
 3DQHOµ ! '6VHSHOHµ IURP 6VSSRUWZDUHµ ! '3& &RQWURO 8WLWLW\ 3UR µ

6HFXULW\µ ! '3RZHUOLW\ 3UR µ

2SWLRQVµ ! '&KDQJH
 ZKHQ WKH FRPSXWHU

TIP: Viewing the Help of PC Control Utility Pro 4
 VOHHSVµ ! '3RZHUOLW\ 3UR IURP VHU WR VOHSHOHµ IURP LQJ WKH +HOS ÀOH RI 3& &RQWURO 8WLWLW\ 3UR
 µ1HYHUµ &OLFNF '+HOS + µ ! '+HOS + µ RI ZLQGRZ RI 3& &RQWURO 8WLWLW\ 3UR µ

* :KHQ '1250\$/µWKLV RUGHU
 LV VHOHFWHG IURP KH SRS XS PHQX ZLOO EH GLVSOD\HG

'6WDQGE\ ORGHµ IURP LQJ WKH KHOS ÀOH XVLQJ WKH 6WDUW 0H
 WKH PHQX WKH SURMHFWRUµ ! '\$OO SURJUDPVµ RU '3URJUDP

FDQQRW EH FRQVWUDUHG IURP LQJ WKH KHOS ÀOH XVLQJ WKH 6WDUW 0H
 YLD WKH VHUOLW\ 3UR IURP VHU WR

QHWZRUN ZLWK '+HOS VFUHHQ ZLOO EH GLVSOD\HG
 FRQHFWRQ

FRQHFWRQ

* 7KH SURMHFWRU PC Control Utility Pro 5 for Mac OS

GRHV QRW VXSSRUW WKH 6VHSHOH QVWDOO 3& &RQWURO 8WLWLW\ 3UR
 /\$1 DXWRPDWLF VHDUFK

IHDWXUH RI 3& &RQWURO Computer to the Internet and visit our website (<http://www.net-bisfly.com/dl/en/index.html>).

8WLWLW\ 3UR QHQHFW WKH SURMHFWRU
 QHFW WKH SURMHFWRU
 2 Download the updated PC Control Utility Pro 5 from our website.

UHJLVWHU DQ 3 DGGUHVV
 PDQXDO\ 3 In Finder, control-click ("control" + click) or right click the PC Control Utility Pro 5.mpkg.

4 Select "Open" from the top of contextual menu that appears.

5 Click "Open" in the dialog box. If prompted, enter an administrator name and password.

The installer will start.

6 Click "Next".

"END USER LICENSE AGREEMENT" screen will be displayed.

7 Read "END USER LICENSE AGREEMENT" and click "Next".

The confirmation window will be displayed.

8 Click "I accept the terms in the license agreement".

Follow the instructions on the installer screens to complete the installation.

6 WHS & RQQHFW WKH SURMHFWRU WR D / \$ 1

Connect the projector to the LAN by following the instructions in "Connecting the Projector" VHH S D J H



6 WHS 6 WDUW 3 & & RQWURO 8 WL0LW \ 3 UR

1. Open your Applications folder in Mac OS.

❖)RU WKH 6 F K L O K to "PC Control Utility Pro 5" folder.

IXQFWLRQ RI WKH 3 & "PC Control Utility Pro 5" icon.

& RQWURO XWL0LW \ 3 UR PC Control Utility Pro 5 will start.

WR ZRUN \RX P X V

KDYH \RXU FRPSXWHU

UXQQQLQJ DQG CRW LQ

VOHHS PRGH 6 HOHFV

^(QHUJ\ 6DYHU# LVSOD\LQJ WKH +HOS ÀOH RI 3 & & RQWURO 8 WLO

IURP WKH '6\W HURP WKH PHQX EDU FOLFV '+HOSµ D '+HOSµ LQ

3UHIHUHQFHV\ ZGHDFHOS VFUHHQ ZLOO EH GLVSOD\HG

DQG GLVDEOH\ WLVSODHOSJ WKH +HOS XVLQJ WKH 'RFN

PRGH EHIRUH UXQQQLQJ 'SSOLFDWLRQ)ROGHUµ LQ 0DF 26

WKH VFKHGXDHU &OLFV WKH '3 & & RQWURO 8 WL0LW \ 3 UR µ IRO

❖ :KHQ >1250\$/@ &OLFV WKH '3 & & RQWURO 8 WL0LW \ 3 UR +HOS

LV VHOHFVHG IRU &OLFV WKH '3 & & RQWURO 8 WL0LW \ 3 UR

>67\$1'% < 02'(@ 7KH +HOS VFUHHQ ZLOO EH GLVSOD\HG

IURP WKH PHQX WKH

SURMHFWRU F D O I n s t a l l i n g a s o f t w a r e p r o g r a m

WXUQHG RQ YLD WKH 3 XW WKH '3 & & RQWURO 8 WL0LW \ 3 UR µ IROGHU

‡ 7KH FRQAJXUDWLRQ ÀOH RI 3 & & RQWURO 8 WL0LW \ 3 UR µ IROGHU

\RXU XVHU QDPH! \$SSOLFDWLRQ 'DWD 1(& 3URM

3 & & RQWURO 8 WL0LW \ 3 UR µ

Viewing 3D Images

7KH SURMHFWRU SURYLGHV ' LPDJHV WR D X
DYDLODEOH /&' VKXWWHU H\HJODVVHV

&\$87,21
+HDOWK SUHFDXWLRQV %HIRUH YLHZZLQJ EH VXUH WR UHGD KHDOWK FDU LQ WKH XVHU.V PDQXDO LQFOXGHG ZLWK \RXU /&' FRPSDWLEOH FRQWHQW VXFK DV '9'V YLGHU JDPH WKH OLNH 7R DYRLG DQ\ DGYHUVH \P\$WRPV KHHG WKH IRC 'R QRW XVH /&' VKXWWHU H\HJODVVHV IRU YLHZ LPDJHV \$OORZ D GLVWDQFH RI P IHHW RU JUHDWHU E 9LHZZLQJ ' LPDJHV IURP WRR FORVH D GLVWDQFH \$YRLG YLHZZLQJ ' LPDJHV IRU D SURORQJHG SHUL PLQXWHV RU ORQJHU DIWHU HYHU\ KR XU RI YLHZ ,I \RX RU DQ\ PHPEHU RI \RXU IDPLO\ KDV D KLV]XUHV FRQVXOW D GRFWRU EHIRUH YLHZZLQJ ' LP :KLOH YLHZZLQJ ' LPDJHV LI \RX JHW VLFN VXFK QHVV KHDGDFKH H\HVWUDLQ EOXUU\ YLVLRQ F YLHZZLQJ WKHP ,I \P\$WRPV VWLOO SHUVLVW FR 9LHZ ' LPDJHV IURP WKH IURQW RI WKH VFUHHQ FDXVH IDWLJXH RU H\HVWUDLQ

LCD shutter eyeglasses

‡ 8VH FRPPHUFLDOO\ DYDLODEOH ' H\HJODV
UHTXLUHPHQWV

'/3 /LQN FRPSDWLEOH

6XSSRUW YHUWLFDO UHIUHVK UDWX XS WR

Steps for viewing 3D images on the projector

&RQQHFV WKH SURMHFWRU WR \RXU YLGHU

7XUQ RQ WKH SURMHFWRU GLVSOD\ WKH F

6HOHFW > ' 6(77,1*6@ IURP >6&5((1@ WDE

> '@

6HW IRU > ' ,19(57@ DQG > ' 6758&VH5(5DDM
)

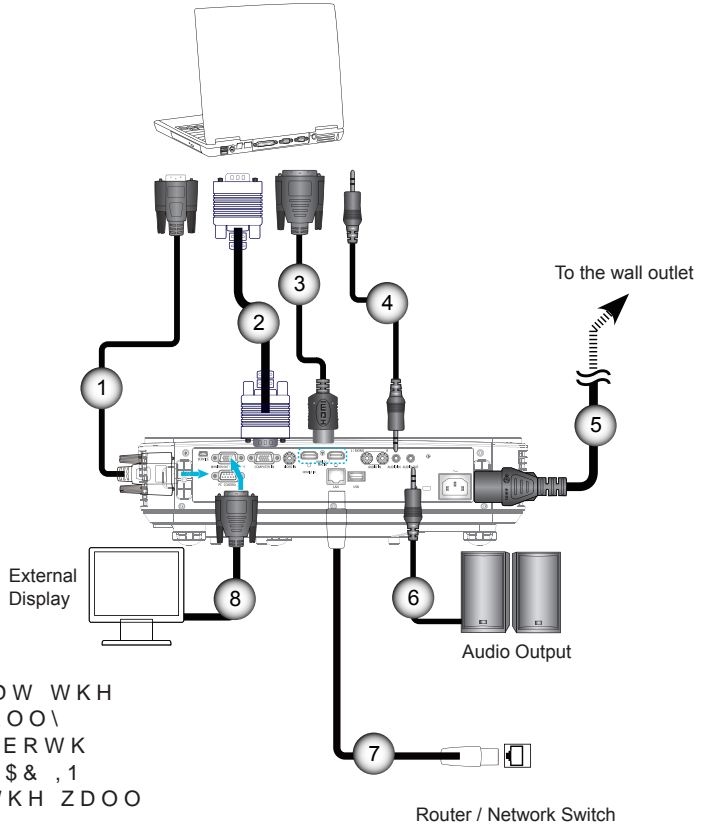
3OD\ \RXU ' FRPSDWLEOH FRQWHQW DQG X
LPDJH

3XW RQ \RXU /&' VKXWWHU H\HJODVVHV WR

\$OVR UHIHU WR WKH XVHU.V PDQXDO DFFRPS
H\HJODVVHV IRU PRUH LQIRUPDWLRQ

Connecting the Projector

Connect to Computer/Notebook



❖ 0DNH VXUH WKDW WKH
 SRZHU SOXJ LV IXOO\
 LQVHUWHG LQWR ERWK
 WKH SURMHFWRU \$& ,1
 WHUPLQDO DQG WKH ZDOO
 RXWOHW

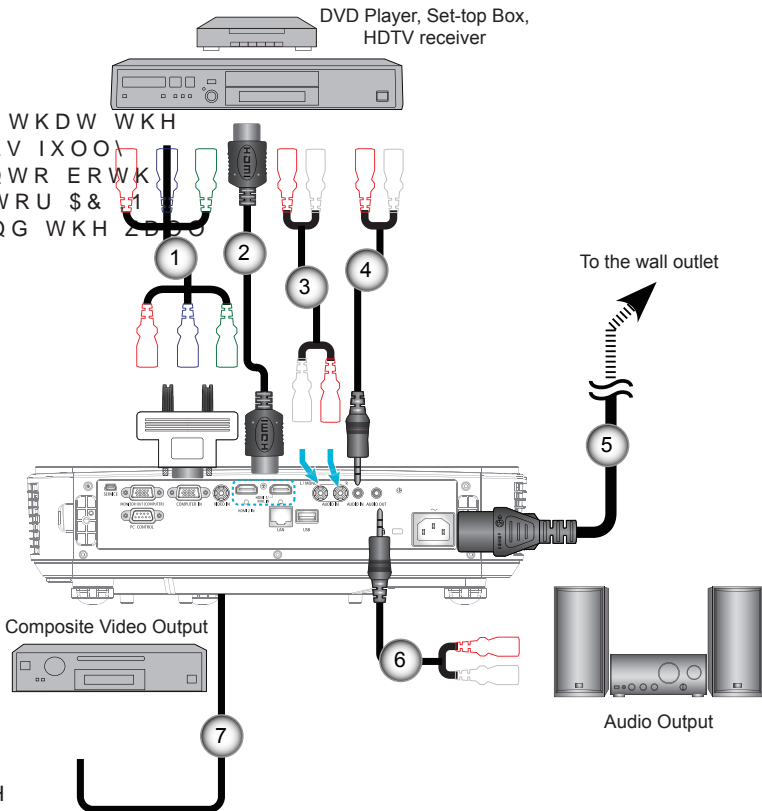
❖ 7KH 021,725
 287 FRQQHFW
 VXSSRUWV 6H
 VLJQDO RQO\

1.....	5.6....	FDEOH
2.....	&.RPSXWHU	FDEOH 9*\$
3.....	+!0.,	FDEOH
4.....	\$.XGLR	FDEO
5.....	3.RZHU	FRUG VXS
	\$.XGLR	RXWSXW
	5.....	FDEOH
8.....	9.*\$.	RXWSXW FD

Connect to Video Sources



❖ 0DNH VXUH WKDW WKH
 SRZHU SOXJ LV IXOO
 LQVHUWHG LQWR ERWK
 WKH SURMHFWRU \$ & #1
 WHUPLQDO DQG WKH ZD
 RXWOHW



❖ 'XH WR WKH
 GLIIHUHQFH LQ
 DSSOLFDWLRQV IRU HDFK
 FRXQWU\ VRPH UHJLRQV
 PD\ KDYH GLIIHHQ
 DFFHVVURULHV

1.....	3LQ WR	5&\$ &RPSRQHQV	+7
2.....		+.0., FDEOH	
3.....		\$.X.GLR	
4.....		\$.X.GLR &DECH	5
5.....		3.RZHU FRUG	VXS
		\$.X.GLR &DECH	5
		&.RPSRVLWH	Y.LGH

❖ :KHQ 'HHS &
 LV VHW WR 21
 + '0, HTXLSPHQW
 YLGHR RU DXG
 PD\ EH JHQHU
 GHSHQGLQJ R
 HTXLSPHQW RU FDEOH FDEOH 8VH +LJK® 6SDIHGH + '0,
 EHLQJ XVHG 6KRXOG
 WKLW KDSSHQ VHW 'HHS
 &RORU WR 2)) ELW

Powering On/Off the Projector



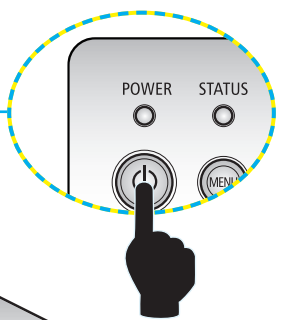
Powering On the Projector

❖ :KHQ \RX ÀUVW 6HFXUHO\ FRQQHFW WKH SRZHU FRUG
WXUQ RQ WKH SURMHFWHG WKH 32:(5 67\$1'%< /(' ZLOO
WRU \RX ZLOO JHW WKH
6WDUWXS PHQX 7KLV RQ WKH SURMHFWRU E\ SUHVVLQ
PHQX JLYHV \RX FRQWURO WKH FRQWURO SDQHO \$W
RSSRUWXQLW\ W 32:(5 67\$1'%< /(' ZLOO QRZ WXUQ *UHH
WKH PHQX ODQJXDJHV
7R VHOHFW WKH 6DQJXHV
XVH 7KH ÀUVW WLPH \RX XVH WKH SURMHFW
RU EXWWRQ RQ WKH
UHPRWH FRQWURO 6HFXU
\RXU ODQJXDJH 7KLV RQ \RXU VRXUFH FRPSXWHU QR
WR /DQJXDJH RQ 7KH SURMHFWRU ZLOO GHWHFW \RXU V
3.

❖ :KLOH WKH 32:(5
LQGLFDWRU LV EDLQ
JUHHQ LQ VKRUW 6HFXU
WKH SRZHU FDQ RQ WKH UHPRWH FRQWURO WR VZLWFK
WXUQH RII E\ XVLQJ WKH
SRZHU EXWWRQ

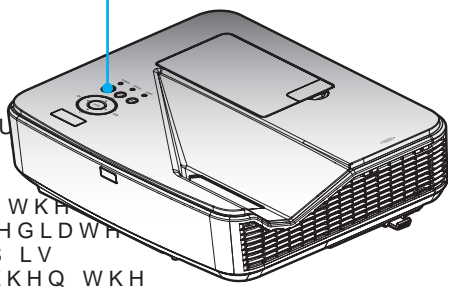


❖ :KHQ 1RUPDO LV
VHOHFWHG IRU 6WDUW
0RGH WKH 3RZHU /(
ZLOO WXUQ UHG ZKHQ
1HWZRUN VWDQGE\ LV
VHOHFWHG IRU 6WDQGE\
0RGH WKH 3RZHU /(
ZLOO WXUQ



❖ 7XUQ RQ WKH SURMHFWRU
ÀUVW DQG WKHQ
VRXUFHV

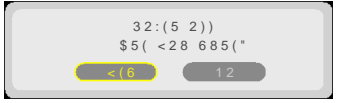
❖ , \RX WXUQ RQ WKH
SURMHFWRU LPPHGLDWH
DIWHU WKH ODPS LV
WXUQH RII RU ZKHQ WKH
WHPSHUDWXUH LV KLJK
WKH IDQV UXQ ZLWKRXW
GLVSOD\LQJ DQ LPDJH IRU
D ZKLOH DQG WKHQ WKH
SURMHFWRU ZLOO GLVSOD\
WKH LPDJH



Powering Off the Projector



❖ :KLOH WKH 32: (5 2) EXWWRQ RQ WKH UHPR
LQGLFDWRU LV EOLQNLQJ
JUHHQ LQ VKRUW F\FOHV
WKH SRZHU FDQQRW EH
WXUQH RII E\ XVLQJ
WKH SRZHU EXWWRQ



2. 3 UHVV WKH '32: (5 2) EXWWRQ DJDLQ WR FR
'LVFRQQHFW WKH SRZHU FRUG IURP W
SURMHFWRU ,I \RX GLVFRQQHFW WKH
WKH SLFWXUH DQG FRQQHFW WKH SRZ
OHDVW RQH VHFRQG XQWLO \RX FRQQH

Warning Indicator



❖ :KHQ WKH `67\$786GLFDVWKUHV LG LW
 LQGLFDWHV WKH SURMHFWRU KDV RYH
 DXWRWLFDOO\ VKXW LWVHOI GRZQ

❖)RU PRUH LQIRUPDWLRQ
 RQ 67\$786 /(' UHIHU
 WR SDJH

```

:51,1* 7(03(5$785( 722 +,*+
0$. ( 685( $,5 ,1 $1' 287/(76 $5( 127 %/2&.( '
0$. ( 685( 7+( (19,5210(17 7(03(5$785( ,6 81'(5 '(*5(( 8
  
```

❖ :KHQ WKH `/\$03,GLFDVWKUHV DQG WKH
 EHORZ GLVSOD\ V RQ VFUHHQ WKH SUR
 WKH ODPS LV DSSURDFK\ KQJLWX HQG V
 PHVVDJH FKDQJH WKH ODPS DV VRRQ

```

:$51,1* /$03
/$03 :$51,1*
/$03 /, ( ,6 $%29( /,0,7 7,0( /$03 2))
  
```

```

:$51,1* /$03
/$03 :$51,1*
3/($6( 5(3/$&( 7+( /$03
  
```

❖ :KHQ WKH `67\$786FDWRUADVKHV UHG
 PHVVDJH EHORZ GLVSOD\ V RQ VFUHHQ
 6WRS XVLQJ WKH SURMHFWRUHUDRUGLW
 WKH HOHFWULFDO RXWOHW WKHQ FRQ
 VHUYLFH FHQWHU

```

:$51,1* )$1 /2&.( '
7+( 352-( &725 :,/ 6:,7&+ 2)) $8720$7,&$//<
  
```

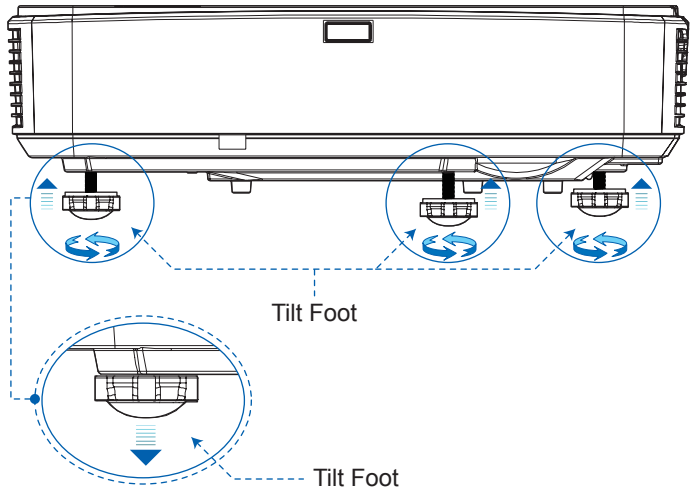
Adjusting the Projected Image

Adjusting the Height of Projector Image

The projector is equipped with the tilt foot for adjusting the image height.

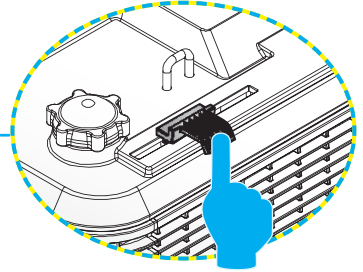
/RFDWH WKH WLOW IRRW \RX ZLVK WR
WKH SURMHFRU

5RWDWH WKH WLOW IRRW FORFNZLVH
FRXQWHU FORFNZLVH WR ORZHU LW
IHHW DV QHHGHG

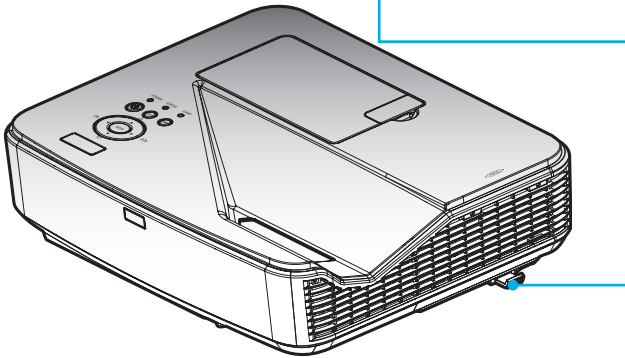


Adjusting the Projector's Focus

7R IRFXV WKH LPDJH VOLGH WKH IRFXV

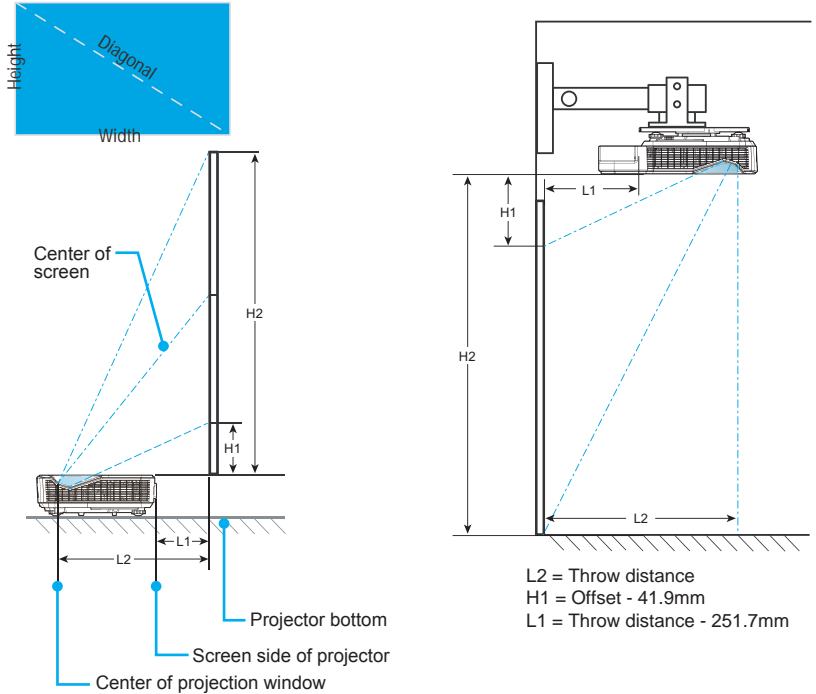


Focus lever



Adjusting Projection Image Size (Diagonal)

3URMHFWLRQ ,PDJH 6LJH IURP μ WR



Screen Size						H1	H2	L1		L2			
Diagonal		Width		Height				wide		wide			
inch	mm	inch	mm	inch	mm	inch	mm	inch	mm	inch	mm	inch	mm
85.0	2159	74	1882	42	1058	6	154	48	1212	9	222	19	474
90.0	2286	78	1992	44	1121	7	165	51	1286	10	250	20	502
95.0	2413	83	2103	47	1183	7	177	54	1360	11	278	21	530
100.0	2540	87	2214	49	1245	7	188	56	1434	12	306	22	558

7KLV WDEOH LV IURP XVHU·V UHJUHQFH RQO\

On Screen Display

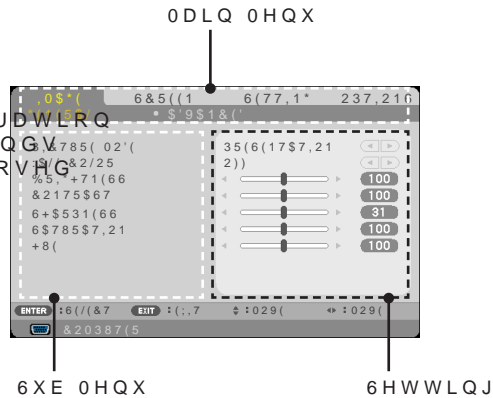
The Projector has a multilingual On Screen Display that allows you to make image adjustments and change a variety of settings.

How to operate

- 7R RSHQ WKH 26' SUHVV WKH 0(18 EXWWRQ
- :KHQ 26' LV GLVSODI H GEXWWRQV WR VHOH
LQ WKH PDLQ PHQX :KLOH PDNLQJ D VHOH
SUHVV W X W WRQ WR HQWHU VXE PHQX
- 8VH ▲KH EXWWRQV WR VHOHFW WKH GHVL
DQG DGMXVW WKH VHWVILCEXWWRQ/LQJ WK
- 6HOHFW WKH GHVLUHG LWHP LQ WKH VXE P
EXWWRQUWRQV HQWHU VXE PHQX 3UHVV WKH
WKH VXE PHQX DIWHU DGMXVWPHQW
- \$IWHU DGMXVWLQJ WKH VHWWLQJV SUHVV
EDFN WR WKH PDLQ PHQX
7R H[LW SUHVV WKH 0(18 EXWWRQ DJDLQ
WKH SURMHFWRU ZLOO DXWRPDWLFDOO\ V



❖, I QR EXWWRQ RSHUDWLRQ
LV PDGH IRU VHFROGV
WKH 26' ZLOO EH FORVHG
DXWRPDWLFDOO\



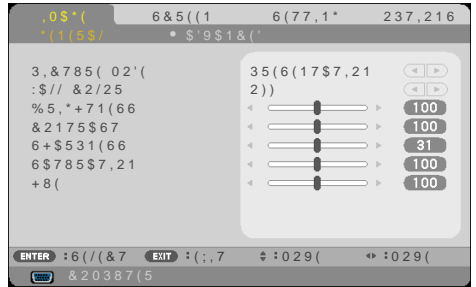
Menu Tree

ODLQ 0HQX	6XE 0HQX	6HWWLQJV	
,0\$*(*(1(5\$/	3,&785(02'('	35(6(17\$7,21 +, *+ %5,*+7 9,'(2 029,(65*% %/\$&.%2\$5' ',&20 6,0 86(5 86(5
		:\$// &2/25	2)) 5(' *5((1 %/8(&<\$1 0\$*(17\$ <(//2:
		%5,*+71(66	a
		&2175\$67	a
		6+\$531(66	a
		6\$785\$7,21	'HSHQG RQ VRXUFH IRUPDW
	\$'9\$1&('	+8('HSHQG RQ VRXUFH IRUPDW
		*\$00\$),/0 9,'(2 *5\$3+,&6 3& %/ \$&.%2\$5' ',&20 6,0
		%5,/, \$17&2/25	a
		&2/25 7(03	/2: 0(' ,80 +,*+
		'<1\$0,& &21 75\$67	21 2))
		&2/25	5(' *\$,1 *5((1 *\$,1 %/8(*\$,1 &<\$1 *\$,1 0\$*(17\$ *\$,1 <(//2: *\$,1 5(' %,\$6 *5((1 %,\$6 %/8(%,\$6 5(6(7
&2/25 63\$&(\$872 5*% <89		
6&5((1	*(1(5\$/	\$63(&7 5\$7,2	1\$7,9(\$872
		29(56&\$1	
		9 .(<6721(a
	' 6(7 7,1*6	'	21 2))
		' ,19(57	21 2))
' 6758&785(\$872)5\$0(3\$&.,1* 723 \$1' %27720 6,'(%< 6,'()5\$0(6(48(17,\$/		
6(77,1*	*(1(5\$/	/ \$1*8\$*(عربي نئی پورچہ ہندی

0DLQ 0HQX		6XE 0HQX	6HWWLQJV
6(77,1*	*(1(5\$/	25,(17\$7,21	'(6.723)5217 '(6.723 5(\$5 &(/,1*)217 &(/,1* 5(\$5
		5(027(6(1625)5217 723)5217 723
		+ '0, 6(77,1*6	9,'(2 /(9(/ \$872 1250\$/ (1+\$1&(' \$8',2 6(/(&7 + '0, + '0, &20387(5
		087(21 2))
		92/80(a
	6,*1\$/	3+\$6('HSHQG RQ VRXUFH IRUPDW
		&/2&.	'HSHQG RQ VRXUFH IRUPDW
		+ 326,7,21	'HSHQG RQ VRXUFH IRUPDW
		9 326,7,21	'HSHQG RQ VRXUFH IRUPDW
	\$'9\$1&('	/2*2	21 2))
		1(7:25.	1(7:25. 67\$786 '+&3 ,3 \$'5(66 68%1(7 0\$6. *\$7(:\$< \$33/<
		&/26(' &\$37,21	2)) && && && && 7 7 7 7
		6(&85,7<	6(&85,7< 6(&85,7< 7,0(5 &+\$1' 3\$66:25'
		7(67 3\$77(51	21 2))
	237,216	*(1(5\$/	,1387 6(\$5&+
,1387			+ '0, + '0, &20387(5 9,'(2
)\$1 02'('			\$872 +,*+ \$/7,78'('
,1)250\$7,21 +,'			(21 2))
%%\$&.*5281' &2/25			%/\$&. %/8(
5(6(7			<(6 12
/\$03),/7(5 6(77,1*6		/ \$03 /,)(5(0\$,1 ,1*	
		/ \$03 +2856 86('	
),/7(5 +2856 86('	
		(&2 02'('	1250\$/ (&2
		/ \$03 /,)(5(0,1'(5	21 2))
),/7(5 86\$*(+2856	
		&/(\$5 /\$03 +2856	&(6 12
		&/(\$5),/7(5 +2856	<(6 12

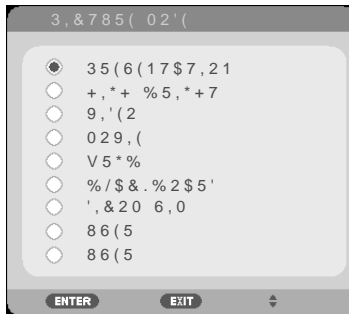
0DLQ 0HQX		6XE 0HQX	6HWWLQJV
237,216	,1)250\$ 7,21	02'(/ 12	
		6(5,\$/ 180%(5	
		6285&(
		5(62/87,21	
		62)7:\$5(9(56,21	
	\$'9\$1&('	67\$1'%< 02'(,5(&7 32:(5 21	1250\$/ 1(7:25. 67\$1'%< 21 2))
		\$872 32:(5 2)) 0,1	a
		2)) 7,0(5 0,1	a
		&21752/ 3\$1(/ /2&.	21 2))

IMAGE | GENERAL



3, &785(02' (

❖ ', &20 6,0
 RQ WKLV SURMHFWRU
 LV D VHWLQJ IRU
 DGMXVWLQJ LPDJHV
 WR DSSUR[LPDWH
 WKH ', &20
 VWDQGDUGV DQG
 PD\ QRW SURMHFW
 LPDJHV SURSHUO\
 7KHUHIRUH ', &20
 6,0 PXVW EH XVHG
 IRU HGXFDWLRQDO
 SXUSRVHV RQO\ DQG
 VKRXOG QRW EH XVHG
 IRU DFWXDO PHGLDO



7KHUH DUH PDQ\ IDFWRU\ SUHVHWV RSWLP
 LPDJHV & IRU WWRQ WR VHOHFV WKH LW

35(6(17\$7,21)RU FRPSXWHU RU QRWHER

- ▶ +, + %5, +70D[LPXP EULJKWQHVV IURP 3&
- ▶ 9, '(2 7KLV PRGH LV UHFRPPHQQHG IRU W
YLHZLQJ
- ▶ 029, ()RU KRPH. WKHDWHU
- ▶ V5*% 6WDQGDUGLJHG DFFXUDWH FRORU
- ▶ %/\$&.%2\$5' 7KLV PRGH VKRXOG EH VHOH
RSWLPXP FRORU VHWLQJV ZKHQ SURMH
JUHHQ
- ▶ ', &20 6,06HWWLQJ IRU DGMXVWLQJ LPDJH
, &20 VWDQGDUGV
- ▶ 86(5 86(50HPRUJMHU-V VHWLQJV

:\$// &2/25

8VH WKLW IXQFWLRQ WR FKRRVH D SURSHU
ZLOO FRPSHQVDWH WKH FRORU GHYLDWLRQ
WKH FRUHFHW LPDJH WRQH

%5,*+71(66

\$GMXVW WKH EULJKWQHVV RI WKH LPDJH
▶ 3UHV ◀ ~~WKW~~WRQ WR GDUNHQ LPDJH
▶ 3UHV ▶ ~~WKW~~WRQ WR OLJKWHQ WKH LPDJH

&2175\$67

7KH FRQWUDVW FRQWUROV WKH GHJUHH RI
DQG GDUNHVW SDUVV RI WKH SLFWXUH \$G
DPRXQW RI EODFN DQG ZKLWH LQ WKH LPD.
▶ 3UHV ◀ ~~WKW~~WRQ WR GHFUHDVH WKH FRQW
▶ 3UHV ▶ ~~WKW~~WRQ WR LQFUHDVH WKH FRQW

6+\$531(66

\$GMXVW WKH VKDUSQHVV RI WKH LPDJH
▶ 3UHV ◀ ~~WKW~~WRQ WR GHFUHDVH WKH VKDU
▶ 3UHV ▶ ~~WKW~~WRQ WR LQFUHDVH WKH VKDU

6\$785\$7,21

\$GMXVW D YLGHR LPDJH IURP EODFN DQG Z
▶ 3UHV ◀ ~~WKW~~WRQ WR GHFUHDVH WKH DPRX
LPDJH
▶ 3UHV ▶ ~~WKW~~WRQ WR LQFUHDVH WKH DPRX
LPDJH

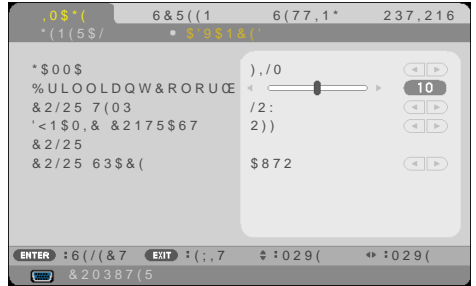
+8(

\$GMXVW WKH FRORU EDODQFH RI UHG DQG
▶ 3UHV ◀ ~~WKW~~WRQ WR LQFUHDVH WKH DPRX
▶ 3UHV ▶ ~~WKW~~WRQ WR LQFUHDVH WKH DPRX

,QSXW VLJQDO	%5,*+71(66	&2175\$67	6+\$531(66	6\$785\$7,21	+8(
&20387(5 '0, 5*%	<(6	<(6	<(6	12	12
&20387(5 '0, &20321(17	<(6	<(6	<(6	<(6	<(6
9,'(2	<(6	<(6	<(6	<(6	<(6

❖ <HV \$GMXVWDEOH 1R 1RW DGMXVWDEOH

IMAGE | ADVANCED



*\$00\$

```
7KLV DOORZV \RX WR FKRRVH D JDPPD WDE
WR EULQJ RXW WKH EHVW LPDJH TXDOLW\ I
  > ),/0 IRU KRPH WKHDWHU
  > 9,'(2 IRU YLGH R U 79 VRXUFH
  > *5$3+,&6 IRU LPDJH VRXUFH
  > 3& IRU 3& R U FRPSXWHU VRXUFH
  > %/$&.%2$5' IRU GLVSOD\LQJ RQ WKH EOD
  > ',&20 6,0IRU ',&20 VWDQGDUGV
```

%ULOOLDQW&RORUË

```
7KLV DGMXVWDEOH LWHP XWLQJHV D QHZ
DQG V\WHP OHYHO HQKDQFHPHQWV WR HQ
SURLGLQJ WUXH PRUH YLEUDQW FRORU
  > 7KH &RORU 7HPS μ ,\RX SUHIHU D VWURQJHU HQKDQFHG
  > LV QRW DYDLODEOH μ ,\XP VHWWLQJ )RU D VPRRWKHU PRUH
  > ZKHQ '+,*+ WRZDUG WKH PLQLXP VHWWLQJ
  > %5,*+7μ RU
  > `V5*%μ LV VHOH μ 7(03
```

'<1\$0,& &2175\$67

```
$GMXVW WKH FRORU WHP SHUDWXUH $W KL
ORRN V FROGHU DW ORZHU WHP SHUDWXUH
  > 7XUQLQJ WKLV LWHP RQ DOORZV WKH FRQW
  > SURSHU OHYHO
```



❖ 7KH &RORU 7HPS μ ,\RX SUHIHU D VWURQJHU HQKDQFHG
LV QRW DYDLODEOH μ ,\XP VHWWLQJ)RU D VPRRWKHU PRUH
ZKHQ '+,*+ WRZDUG WKH PLQLXP VHWWLQJ
> %5,*+7μ RU
> `V5*%μ LV VHOH μ 7(03
IRU `3,&785(
02'(μ

&2/25

3UHVM7(5LQWR WKH QH[W PHQX DV E▲ORRZ D
▼ EXWWRQVHOHFW LWWP

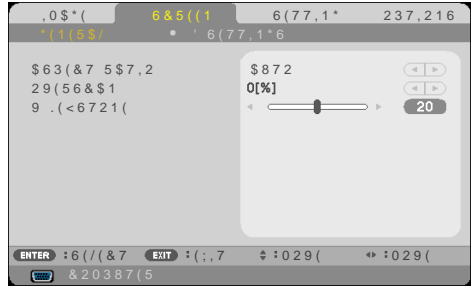
- ▶ 5(' *\$,1 *5((1 *\$,1 %/8(*\$,1 &<\$1 *\$,1
0\$*(17\$ *\$,1 <(//2: *\$,1 5(' %,\$6 *5((1
%,\$6 %/8(%,\$6H◀WR▶H EXWWRQ WR VHOHFW
5((1 %/8(&<\$1 0\$(17\$ \$1' <(//2: &2/256
- ▶ 5(6(7 &KRRVH '(6μ WR UHWXUQ WKH IDF
FRORU DGMXVWPHQWV



&2/25 63\$&(

6HOHFW DQ DSSURSULDWH FRORU PDWUL[V

SCREEN | GENERAL



\$63(&7 5\$7,2

8VH WKLV IXQFWLRQ WR FKRRVH \RXU GHVL

▶ 7KLV IRUPDW LV IRU ð LQSXW VRXUFH

▶ 7KLV IRUPDW LV IRU ð LQSXW'VRXU
HQKQDFHG IRU :LGH VFUHHQ 79

▶ 7KLV IRUPDW LV IRU ð LQSXW VRXU
ODSWRSV

▶ 1\$7,9(7KLV IRUPDW GLVSOD\W WKH RULJ
VFDOLQJ

▶ \$872 \$XWRPDWLFDOO\ VHOHFWV WKH DSS

29(56&\$1

2YHUVFDQ IXQFWLRQ UHPRYHV WKH QRLVH
LPDJH WR UHPRYH YLGHR HQFRGLQJ QRLVH

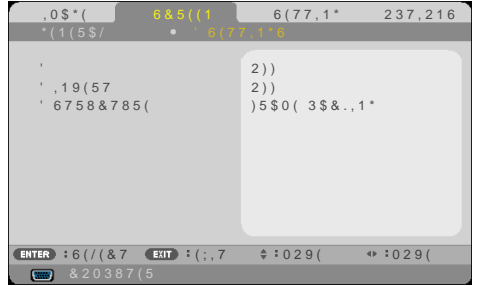
9 .(<6721(

3UHVV ◀ WR
3UHVV ◀ WR

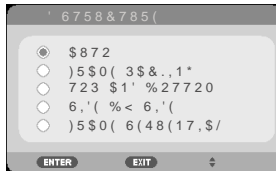


❖ (DFK , 2 KDV WKH LPDJH ORRNW WUDSH]RLGDO WKLV RS
GLIIHUHQW VHWLQDQJXODU
'29(56&\$1µ

SCREEN | 3D SETTINGS



❖ ' ' ,19(57 _____
 DQG' _____
 6758&785RQO\
 DYDLODEOH ZKHQ 1'9(57
 LV HQDEOHG _____
 ❖ &RPSDWLEOH _____
 VRXUFH ' FRQWHDW _____
 DQG DFWLYH VKXWWHU _____
 JODVVHV DUH UHTXLHG _____
 IRU ' YLHZLQ\$GMXVW WKH ' IRUPDW WR GLVSOD\ ' FRQ



TIP: ' VXSSRUWHG VLJQDO

```
‡)RU 3& 6LJQDO
  [ # +]
  [ # +]
  [ # +]
  [ # +]
```

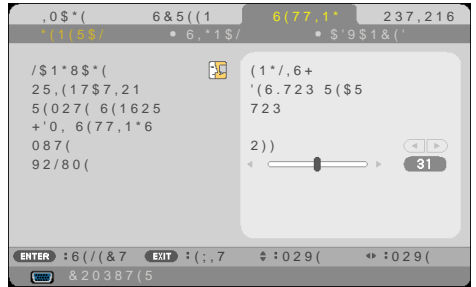
```
‡)RU 9LGHR 6LJQDO
  L# +]
```

```
‡)RU +'0, 6LJQDO
```

```
S )UDPH 3DFNLQJ [ #
S )UDPH 3DFNLQJ [ #
S 7RS DQG %RWWRP [ #
S 7RS DQG %RWWRP [ #
L 6LGH E\ 6LGH +DOI [ #
```

6HOH
6

SETTING | GENERAL



/\$1*8\$*(

&KRRVH WKH PXOWLQJXD R M E R W Q R Q U E
 WKH VXE PHQX D Q W H E X W W H R W K W R V H O H F
 SUHIHUHG ODQJXD JH 3UHV V (17(5 WR ÅQD



25,(17\$7,21

❖ '(6.723 5(\$5
 DQG &(,/,1* ▶ '(6.723)5217
 5(\$5 DUH WR :KHQ VHOHFWHG WKH LPDJH LV SURMHFW
 EH XVHG ZLWK
 D WUDQVOXFHQW(6.723 5(\$5
 VFUHHQ :KHQ VHOHFWHG WKH LPDJH ZLOO DSSHD
 ▶ &(,/,1*)5217
 :KHQ VHOHFWHG WKH LPDJH ZLOO WXUQ
 ▶ &(,/,1* 5(\$5
 7KLV LV WKH GHIDXOW VHOHFWLRQ 7KH
 XSVLGH GRZQ SRVLWLRQ

5(027(6(1625

&KRRVH WKH UHPRWH VHQVRU ORFDWLRQ

+ '0, 6(77,1*6

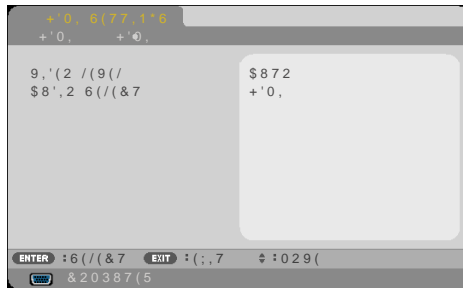
8VH WKLW IHDWXUH WR VHW + '0, 0+ / RU + '0

- ▶ 9, '(2 / (9(/ 6HOH\$B'2 WR DXWRPDWLFDOO\ C
YLGHR OHYHO , I DXWRPDWLF GHWHFWR
'1250\$' WR GLVD(EG\$1W("HIHDWXUH RI \RX
+ '0, HTXLSPHQW 'RU \$180'HWWR LPSURYH LP
FRQWUDVW DQG LQFUHDVH GHWDLQ LQ W

- ▶ \$8', 2 6(/ (&7 8VH WKLW IXQFWLRQ WR VHO



❖ '+ '0, 6(77,1*μ IURP + '0, 0+ / μ + '0, μ R & 20387('5
LV RQO\ VXSSRUWHG
XQGHU + '0,
VRXUFH



087(

- ▶ &KRRVH '21μ WR WXUQ PXWH RQ
- ▶ &KRRVH '2)μ WR WXUQ PXWH RII

92/80(

- ▶ 3UHV ~~WR WXUQ~~ WRQ WR GHFUHDVH WKH YROX
- ▶ 3UHV ~~WR WXUQ~~ WRQ WR LQFUHDVH WKH YROX

SETTING | SIGNAL



❖ '6,*1\$/μ LV
RQO\ VXSSRUWHG LQ
\$QDORJ 9*\$ 5*%
VLJQDO 3+\$6(

6\QFKURQLJH WKH VLJQDO WLPLQJ RI WKH
,I WKH LPDJH DSSHDUV WR EH XQVWDEOH R
FRUUHFV LW

&/2&.

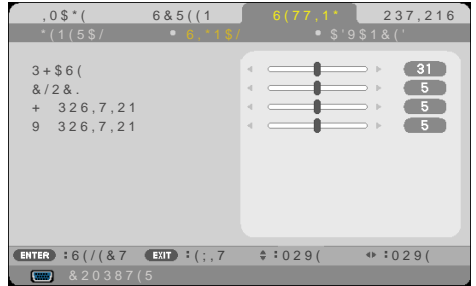
&KDQJH WKH GLVSOD\ GDWD IUHTXHQF\ WR
\RXU FRPSXWHU.V JUDSKLF FDUG 8VH WKL
DSSHDUV WR ÁLFNHU YHUWLFDOO\

+ 326,7,21

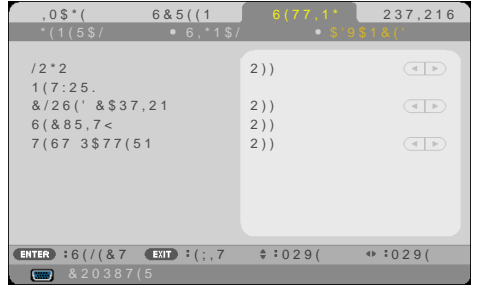
▶ 3UHV ◀ ~~W~~~~X~~~~M~~WRQ WR PRYH WKH LPDJH OHI
▶ 3UHV ▶ ~~W~~~~X~~~~M~~WRQ WR PRYH WKH LPDJH ULJ

9 326,7,21

▶ 3UHV ◀ ~~W~~~~X~~~~M~~WRQ WR PRYH WKH LPDJH GRZ
▶ 3UHV ▶ ~~W~~~~X~~~~M~~WRQ WR PRYH WKH LPDJH XS



SETTING | ADVANCED



/2*2

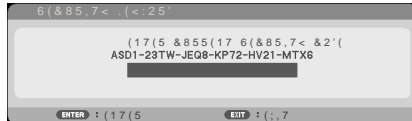
8VH WKLW IXQFWLRQ WR GLVSOD\ WKH VWD
 ▶ 21 'LVSOD\W WKH 1(& ORJR
 ▶ 2)) 1RW GLVSOD\ WKH 1(& ORJR

1(7:25.

5HIHU WR ~~5~~DJHV

&/26(' &\$37,21

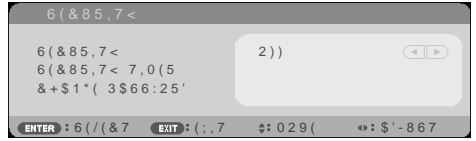
❖ :KHQ '1250\$/μ 8VH WKLW IXQFWLRQ WR HQDEOH FORVHG F
 LV VHOHFWHG JRU FDSWLRQ PHQX 6HOHFW DQ DSSURSULDWH
 '67\$1'%< && && && && 7 7 7 DQG 7
 02'(μ IURP && && && && 7 7 7 DQG 7
 WKH PHQX WKH
 SURMHFWRU 6(&85,7<
 EH FRQWUROHG LQ 2)) &KRRVH '2))μ WR EH DEOH WR VZLWF
 VWDQGE\ PRGH 2)) &KRRVH '2))μ WR EH DEOH WR VZLWF
 IURP H[WHUQDO ZLWKRXP SDVVZRUG YHULÀFDWLRQ
 HTXLSPHQW ▶ 21 &KRRVH '21μ WR XVH VHFUXULW\ YHULÀ
 WKH SURMHFWRU



v)LUVW 7LPH

7KH GHIDXOW▲▶◀◂◃VZRUG
 8VH WKH UHPRWH WR HQWHU \RXU SDV
 (17(5 WR FRQÀUP \RXU SDVVZRUG

SETTING | ADVANCED | SECURITY



6 (&85,7< 7,0(5

8VH WKLV IXQFWLRQ WR VHW KRZ ORQJ 02
SURMHFWRU FDQ EH XVHG 2QFH WKLV WLP
UHTXHVW HG WR HQWHU \RXU SDVVZRUG DJ



7KH '6 (&85,7< 7,0(5µ ZLOO UHVWDUW WR FR
SURMHFWRU LV WXUQH G RII DQG WKHQ WX

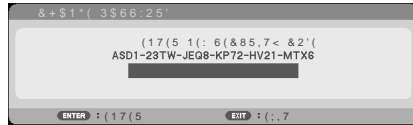
&+\$1*(3\$66:25'

3UHVM7(5WR HQWHU 6 (&85,7< .(<:25' VHW
7KH SDVVZRUG KDV WR RLC
FKDUDFWHUV



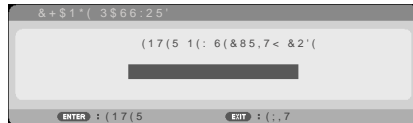
❖ 3DVVZRUG GHIDXOW
YDOX "
ÀUVW WLPH

▶ &XUHQW SDVVZRUG



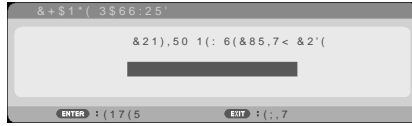
(QWHUWR SDVVZRUG DQG (WKLWORSERQXU
\RXU SDVVZRUG

▶ ,QSXW QHZ SDVVZRUG



(QWHUWR SDVVZRUG DQG (WKLWORSUHVV
FRQÀUP \RXU SDVVZRUG

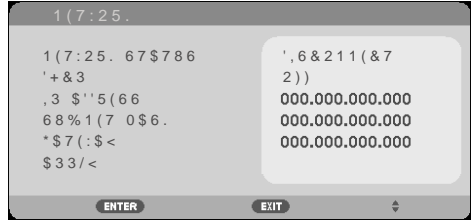
▶ &RQÀUP QHZ SDVVZRUG



(QWHU WKH QHZ SDVVZRUG (BWR LQ DQG
FRQÀUP

- ▶ ,I WKH LQFRUUHFW SDVVZRUG LV HQWHU
DXWRPDWLFDOO\ VKXW GRZQ :KHQ WKH
DJDLQ WKH SDVVZRUG HQWU\ VFUHHQ ZI
\RXU SDVVZRUG
- ▶ ,I \RX KDYH IRUJRWWHQ \RXU SDVVZRUG
RIÀFH IRU VXSSRUW

SETTING | ADVANCED | NETWORK



```

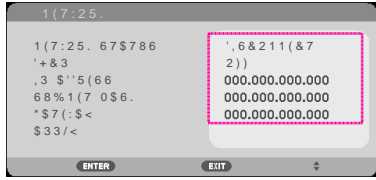
1(7:25. 67$786
'LVSOD\ WKH QHWZRUN 6HOHFWLRQ&211(7
'+&3
8VH WKLV IXQFWLRQ WR VHOHFW \RXU GHV
FKDQJH WKH VHWWLQJ IURP RQH WR DQRW
PHQX WKH QHZ VHWWLQJ ZLOO WDNH HIIH
▶ 21 $VVLJQ DQ ,3 DGGUHVV WR WKH SURM
'+&3 VHUYHU DXWRPDWLFDOO\
▶ 2)) $VVLJQ DQ ,3 DGGUHVV PDQXDOO\
,3 $''5(66
6HOHFW DQ ,3 DGGUHVV
68%1(7 0$6.
6HOHFW VXEQHW PDVN QXPEHU
*$7(:$<
6HOHFW WKH GHIDXOW JDWHZD\ RI WKH QH
SURMHFWRU
$33/<
3UH\17(5WR DSSO\ WKH VHOHFWLRQ

```



How to use web browser to control your projector

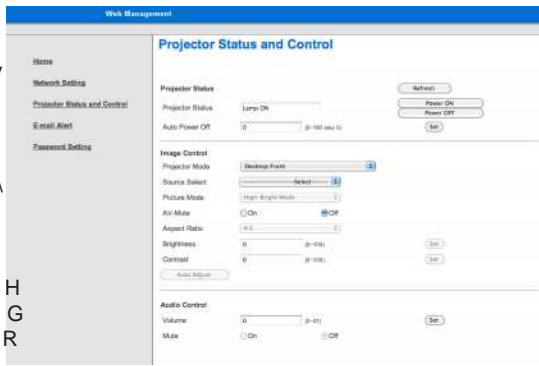
❖ :KHQ \RX XVHG WKH ' + & 3 WR DOORZ WKH ' + & 3 VHUYH
 SURMHFWRU , 3 DGGUHVV RU PDQXDOO\ HQWHU WKH UHTXLU
 \RX FDQ QRW OLQN WR
 \RXU VHUYLFH VHUYHU



❖ 3-/LQN 6HW D
 SDVVZRUG IRU 3-/LQN
 3-/LQN LV D
 VWDQGDUGLJDWLRQ
 RI SURWRFRO XVHG
 IRU FRQWUROOLQJ KHQ FKRRVH DSSOY (DGGUHVV) WR FRPSO
 SURMHFWRUV RI FRQJUDWLRQ SURFHVV
 PDQXIDFWXUHUV KHQ \RXU ZHE EURZVHU DQG W\SH LQ IU
 VWDQGDUG SURWRFRO WKH ZHE SDJH ZLOO GLVSOD\ DV EH
 HWWDEOLVKHG E\ -DSDQ
 %XVLQHVV ODFKLQH DQG
 ,QIRUPDWLRQ 6\VWHP
 ,QGXXVWULHV \$VVRFLDWLRQ
 -%0,\$ LQ
 7KH SURMHFWRU VXSSRUWV
 DOO WKH FRPPDQGV RI
 3-/LQN &ODVV



❖ \$0; %(\$&21
 7XUQ RQ RU RII IRU
 GHWHFWLRQ IRU DSSOY SURMHFWRU 6WDWXV DGGUHVV
 'HYLFH 'LVFRYHU\
 ZKHQ FRQQHFWLQJ
 WR WKH QHWZRUN
 VXSSRUWHG E\ \$0; V
 1HW/LQ[FRQWURO
 V\VWHP




❖ &5(67521 5220
 9,(: FRPSDWLELOLW\
 7KH SURMHFWRU
 VXSSRUWV &5(67521
 52209,(:
 DOORZLQJ PXOWLSOH
 GHYLFHV FRQQHFWHG
 LQ WKH QHWZRUN WR
 EH PDQDJHG DQG
 FRQWUROOHG IUWHU
 D FRPSXWHU RU
 FRQWUROOHU 6VH)LQG DQ , 3 \$GGUHVV GHIDXOW
)RU PRUH LQIRUPDWLRQ XQFWLRQ RI SURMHFWRU
 YLVLW KWWS ZZZ
 FUHVWURQ FRP

When making a direct connection from your computer to the projector

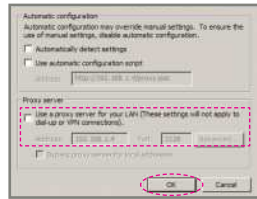
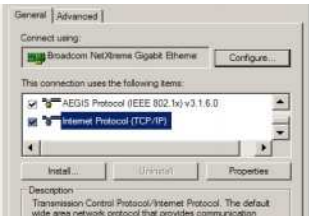
FRQWUROOHU 6VH)LQG DQ , 3 \$GGUHVV GHIDXOW
)RU PRUH LQIRUPDWLRQ XQFWLRQ RI SURMHFWRU
 YLVLW KWWS ZZZ
 FUHVWURQ FRP



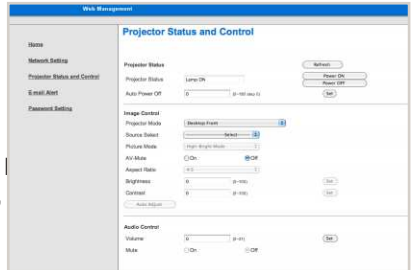
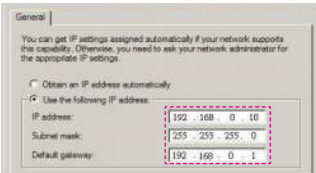
6 W H S 6 H O H F W D S I O (D Q G S X W W R Q R Q W K H U H P R W H I
 S D Q H O W W I X E P W L R Q R H U O S U B I E V W W R Q R Q W K H U H P
 W K H F R Q W W R O H S D Q H O

6 W H S R R S H Q 1 H W Z R U N & R S H Q H F W O R R I P a n e F O L F N N e t w o r k
 and Internet Connections D Q G W K H E t w o r k C o n n e c t i o n s & O L F N W K H
 F R Q Q H F W L R Q \ R X Z D Q W W R F R e t w o r k T a s k s  Q G F W K H N
 Change settings of this connection .

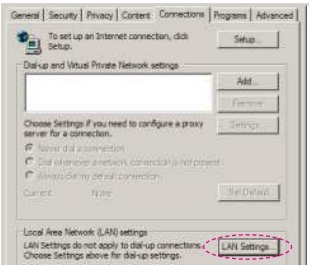
6 W H S C o n n e c t i o n u s e s t h e f o l l o w i n g S e t t i n g G L D O R J E R , [, O S S H I
 items F o r I n t e r n e t P r o t o c o l W P r o x y S e r v e r a r e a F D Q F H O V
 (TCP/IP) D Q G W K H Q F O L F N U s e a p r o x y s e r v e r f o r y o u r L A N
 ' 3 U R S H ' U W L H V c h e c k b o x W K H Q 2 F ' O E R M W W
 W Z L F H



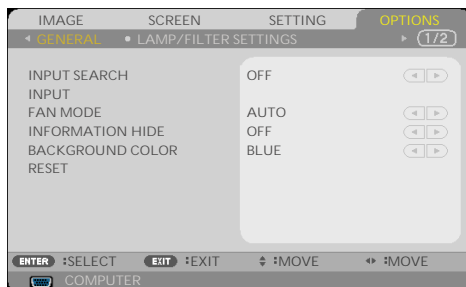
6 W H S U s e t h e f o l l o w i n g I P S e t t i n g 2 S H Q \ R X U , (D Q G V
 address D Q G W \ S H L Q D V E H O R D G G U H V V R I L
 1) IP address: 192.168.0.10 W K H Q S U K H V M 7 (5 E X M W
 2) Subnet mask: 255.255.255.0
 3) Default gateway: 192.168.0.1



6 W H S R R S H Q , Q W H U Q H W 2 S W I
 , (Z H E E U R Z V H U F O L F N ,
 2 S W L R Q V C o n n e c t i o n s W K H
 D Q G F O L F N H W W L Q J V



OPTIONS | GENERAL



INPUT SEARCH

- ▶ ON: The projector will search for other signals if the current input signal is lost.
- ▶ OFF: The projector will only search current input connection.

INPUT

Use this option to enable / disable input sources. Press ENTER to enter the sub menu and select which sources you require. Press the ENTER button to finalize the selection. The projector will not search for inputs that are not selected.

FAN MODE

- ▶ AUTO: The built-in fans automatically run at a variable speed according to the internal temperature.
- ▶ HIGH ALTITUDE: The built-in fans run at high speed.

Select this option when using the projector at altitudes approximately 2500 feet/760 meters or higher.

INFORMATION HIDE

- ▶ ON: Choose "ON" to hide the info message.
- ▶ OFF: Choose "OFF" to show the "SEARCHING" message.

BACKGROUND COLOR

Use this feature to display a "BLACK" or "BLUE" screen when no signal is available.

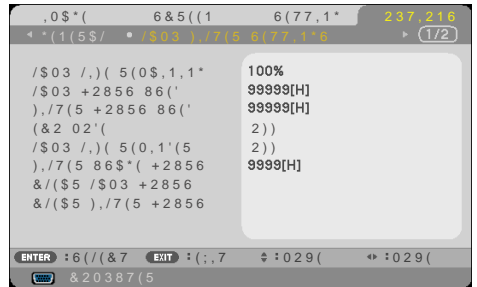
RESET

Choose "YES" to return the display parameters on all menus to the factory default settings. *



- ❖ * Except "LANGUAGE", "LOGO", "NETWORK", "SECURITY", "FAN MODE", "BACKGROUND COLOR", "LAMP LIFE REMAINING", "LAMP HOURS USED", "FILTER HOURS USED", "FILTER USAGE HOURS" and "STANDBY MODE".

OPTIONS | LAMP/FILTER SETTINGS



/\$03 /,)(5(0\$,1,1*

6KRZLQJ WKH /DPS OLIH

/\$03 +2856 86('

'LVSOD\ WKH SURMHFWLRQ WLPH

),/7(5 +2856 86('

'LVSOD\ WKH ÀOWHU XVHG WLPH

(&2 02'('

&KRRVH `(&2µ WR GLP WKH SURMHFWRU OD
FRQVXPSWLRQ DQG H[WHQG WKH ODPS OLIH
QRUPDO PRGH

/\$03 /,)(5(0,1'(5

&KRRVH WKLW IXQFWLRQ WR VKRZ RU WR K
ZKHQ WKH FKDQJLQJ ODPS PHVVDJH LV GLV
7KH PHVVDJH ZLOO DSSHU ZKHQ WKH ODP
OLIH

),/7(5 86\$*(+2856

'LVSOD\ WKH WLPH SUHIHUHQFH EHWZHHQ
FOHDQLQJ WKH ÀOWHU &OHDQ WKH ÀOWHU
:KHQ ` >+@µ LV VHW WKH PHVVDJH ZLOO

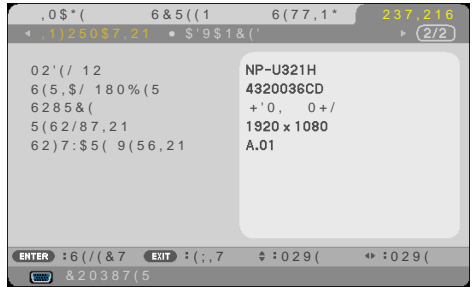
&/(\$5 /\$03 +2856

5HVHW WKH ODPS KRXU FRXQWHU DIWHU UH

&/(\$5),/7(5 +2856

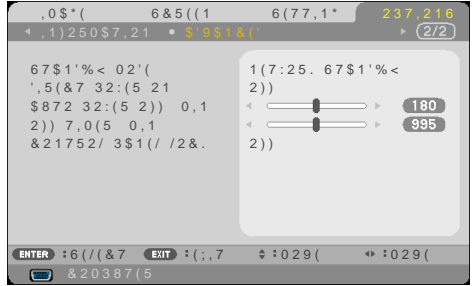
5HVHW WKH ÀOWHU KRXU FRXQWHU DIWHU

OPTIONS | INFORMATION



.1)250\$7,21
7R GLVSOD\ WKH SURMHFWRU LQIRUPDWLRQ
VRXUFH UHVROXWLRQ DQG VRIWZDUH YHU

OPTIONS | ADVANCED



67\$1'% < 02'()

❖ 1HWZRUN 6WDQGE\ PRGH ZLOO GLVDE 250\$ / &KRRVH '1250\$/μ WR UHWXUQ WR G
 WKH IROORZLQJ 5(8732:(5 21
 FRQQHFWRUV EXWWRQ RQ WKH SURMHFWRU FRQWURO
 RU IXQFWLRQV ZKRVH '21μ WR DFWLYDWH 'LUHFW 3RZHU
 WKH SURMHFWRU WR PDWLFDOO\ SRZHU RQ ZKHQ \$ & SRZHU
 VWDQGE\ SUHVVLOJEWWRQ RQ WKH SURMHFWRU FRQWURO
 \$8',2 287 21 EXWWRQ RQ WKH UHPRWH FRQWURO
 FRQQHFWRU \$872 32:(5 2)) 0,1
 /\$1 DQG 0DLO \$OHUW IXQFWLRQV WKH FRXQWGRZQ WLPHU LQWHUYDO
 %XWWRQV RWKHU WKHU LV QR VLJQDO EHLQJ VHQW V
 32:(5 EXWWRQ RQ DXWRPDWLFDOO\ SRZHU RII ZKHQ WKH
 WKH FDELQHW PLQXWHV
 %XWWRQV RWKHU WKHU 21) 7,0(5 0,1
 32:(5 21 EXWWRQ RQ WKH FRXQWGRZQ WLPHU LQWHUYDO
 RQ WKH UHPRWH ZLWK RU ZLWKRXW D VLJQDO EHLQJ VHQW V
 FRQWURO ZLOO DXWRPDWLFDOO\ SRZHU RII ZKHQ WKH
 3 & &RQWURO PLQXWHV
 FRQQHFWRU
 9LUWXDO 5HPHW 821752/ 3\$1(/ /2&.
 7RRO 3 & &RQWURO WKH NH\SDG ORFN IXQFWLRQ LV '21μ
 8WLWLW\ 3UR : & ORFNHG KRZHYHU WKH SURMHFWRU FDELQHW
 &RQWURO 8WLWLW\ FRQWURO \%VHOHFWLQJ '2))μ \RX ZLOO EHLQJ VHQW V
 3UR SDQHO 3UHVV DQG KROG WKH (;,7 EXWWRQ RQ WKH UHPRWH
 DERXW VHFROG 2 W 75 2V X 3\$1(R V 2 & .μ
 (YHQ ZKHQ '1250\$/μ PRGH LV VHOHFWHG IRU DQG '21μ LV VHOHFWHG IRU '821752/ 3\$1(/ 32:(5 EXWWRQ RQ WKH FDELQHW FDELQHW

Troubleshooting

If you experience trouble with the projector, refer to the following information. If the problem persists, please contact your local dealer or service center.

Problem: No image appears on screen

- ▶ (QVXUH DOO WKH FDEOHV DQG SRZHU FRQ VHF XUHO\ FRQQHFVHG DV GHVFULEHG LQ V
- ▶ (QVXUH WKH SLQV RI FRQQHFWRUV DUH QR
- ▶ &KHFN LI WKH SURMHFWLRQ ODPS KDV EHH UHIHU WR WKH '5HSODFLQJ WKH ODPSμ VH
- ▶ 0DNH VXUH WKH SURMHFWRU LV VZLWFKHG
- ▶ (QVXUH WKDW WKH '\$9 087(μ IHDWXUH LV C

Problem: Partial, scrolling or incorrectly displayed image

- ▶ 3UHVV '\$872 \$'- μ RQ WKH UHPRWH FRQWU
- ▶ ,I \RX DUH XVLQJ D 3&
)RU :LQGRZV
)URP WKH '0\ &RPSXWHUμ LFRQ RSHQ WK DQG GRXEOH FOLFN WKH ''LVSOD\μ LFRQ 6HOHFW WKH '6HWWLQJVμ WDE &OLFN RQ WKH '\$GYDQFHG 3URSHUWLHVμ
)RU :LQGRZV 9LVWD
)URP WKH '0\ &RPSXWHUμ LFRQ RSHQ WK DQG GRXEOH FOLFN WKH '\$SSHDUDQFH D 6HOHFW '3HUVRQDOLJDWLRQμ &OLFN '\$GMXVW VFUHHQ UHVROXWLRQμ W &OLFN RQ WKH '\$GYDQFHG 6HWWLQJVμ

If the projector is still not projecting the whole image, you will also need to change the monitor display you are using. Refer to the following steps.

9HULI\ WKH UHVROXWLRQ VHWLQJ LV O
UHVROXWLRQ
6HOHFW WKH '&KDQJHµ XQGHU WKH 'ORQ
&OLFN RQ '6KRZ DOO GHYLFHVµ 1H[W V
W\SHVµ XQGHU WKH 63 ER[FKRRVH WKH
XQGHU WKH 'ORGHOVµ ER[

- ▶ ,I \RX DUH XVLQJ D 1RWHERRN
)LUVW IROORZ WKH VWHSV DERYH WR DG
FRPSXWHU
3UHVW WKH WRJJOH RXWSXW VHWLQJV
NH\V ZLOO HQDEOH GLVDEOH WKH H[WHU
FRPELQDWLRQ RI WKH ')Qµ NH\ DORQJ ZL
NH\V JHWV WKH H[WHUQDO GLVSOD\ WR F
1(& QRWHERRN 3&V XVH)Q) :KLOH 'HO
)Q) NH\ FRPELQDWLRQ WR WRJJOH WK
VHOHFWLRQ
- ▶ ,I \RX H[SHULHQFH GLIÀFXOW\ FKDQJLQJ U
IUHH]HV UHVWDUW DOO HTXLSPHQW LQFO

Problem: The screen of the Notebook or PowerBook computer is not displaying a presentation

- ▶ ,I \RX DUH XVLQJ D 1RWHERRN 3&
6RPH 1RWHERRN 3&V PD\ GHDFWLYDWH WK
VHFRQG GLVSOD\ GHYLFH LV LQ XVH (DFK
UHDFWLYDWHG 5HIHU WR \RXU FRPSXWHU
LQIRUPDWLRQ

Problem: Image is unstable or flickering

- ▶ \$GMXVW WKH '3+\$6(µ WR FRUHHFW LW 5HI
IRU PRUH LQIRUPDWLRQ
- ▶ &KDQJH WKH PRQLWRU FRORU VHWLQJ IU

Problem: Image has vertical flickering bar

- ▶ 8VH ´&/2&.µ WR PDNH DQ DGMXVWPHQW
- ▶ &KHFN DQG UHFRQÀJXUH WKH GLVSOD\ PRQ
PDNH LW FRPSDWLEOH ZLWK WKH SURGXFW

Problem: Image is out of focus

- ▶ \$GMXVW WKH)RFXV /HYHU RQ WKH SURMHFW
- ▶ 0DNH VXUH WKH SURMHFWLRQ VFUHHQ LV E
WR IURP WKH SURMHFWRØ UHIHU WR

Problem: The image is stretched when displaying 16:9 DVD

7KH SURMHFWRU DXWRPDWLFDOO\ GHWHFWV
UDWLR E\ GLJLWLJLQJ WR IXOO VFUHHQ ZLWK

,I WKH LPDJH LV VWLOO VWUHWFKHG \RX ZL
UDWLR E\ UHIHUULQJ WR WKH IROORZLQJ

- ▶ 3OHDVH VHOHFW DVSHFW UDWLR W\SH F
SOD\LQJ D '9'
- ▶ ,I \RX FDQ·W VHOHFW DVSHFW UDWLR W
SOHDVH VHOHFW DVSHFW UDWLR LQ WK

Problem: Image is reversed

- ▶ 6HOHFW ´6(77,1*_*(255\$17\$7,21 IURP WKH 26
DQG DGMXVW WKH SURMHFWLRQ GLUHFWLR

Problem: Lamp burns out or makes a popping sound

- ▶ :KHQ WKH ODPS UHDFKHV LWV HQG RI OLIH
PDNH D ORXG SRSSLQJ VRXQG ,I WKLW KD
QRW WXUQ RQ XQWLO WKH ODPS PRGXOH K
WKH ODPS IROORZ WKH SURFHGXUHV LQ W

Problem: LED lighting message

Power Indicator

, QGLFDWRU & RQGLW				LRQ3URMHFWRU & R	QGLWLRQ WH
211				7KH PDLQ SRZHU L	V:LRWKRXW FRQQHF FDEOH
%OLQ OLJKW	5Q(J	VHF 21	VHFK))	SURMHFWRU L	DHW WRU D UHPC
	*5((1	VHF 21	VHFK))	PHU LV HQDE	OHG
	25\$1*(VHF 21	VHFK))	LQJ	
6WHD OLJKW	5((1			3RZHU RQ PRGH	
	25\$1*(1HWZRUN 6WDQGE	PRGHFWLQJ SRZHU
	5('			1RUPDO 6WDQGE	PRGHFWLQJ SRZHU

Status Indicator

, QGLFDWRU & RQGLW				LRQ3URMHFWRU & R	QGLWLRQ WH
211				1RUPDO & RQGLWLRQ	
%OLQ OLJKW	5L(QJ	F\FOH VHF	VHFK))	7HPSHUDWXUH HUU	RKH SURMHFWRU LV RYHUKHDWHG ORYH SURMHFWRU WR D FFRFDWLRQ
		F\FOH VHF	VHFK))	3RZHU HUURU	3RZHU XQLW LV QRW SURSHUO\ & RQWDFVGHDOHU
		F\FOH VHF	VHFK))	2\$1 HUURU)DQV GR QRW ZRUN
		F\FOH VHF	VHFK))	1DPS HUURU	/DPSV IDLO WR OLJK IXOO PLQXWH DQG WR RQ DJDLQ
6WHD OLJKW	5('			& RQWURO 3DQHO /RFXLWZIRUSULQV HGH EXWWRQ ZKHQ & RQW /RFN LV RQ	

Lamp Indicator

, QGLFDWRU & RQGLW				LRQ3URMHFWRU & R	QGLWLRQ WH
211				1RUPDO & RQGLWLRQ	
%OLQ OLJKW	5L(QJ	VHF 21	VHFK))	KDV UHDFKHG	LWV HQG RI
6WHD OLJKW	5('			/DPS KDV EHHQ XV	HKE SURMHFWRU ZLO
				LWV OLPLW	WXUQ RQ XQWLO WK UHSODFHG

Problem: Message Reminders

- ▶ 2YHU WHPSHUDWXUH WKH SURMHFWRU KD
RSHUDWLQJ WHPSHUDWXUH DQG PXVW EH I
PD\ EH XVHG

```

:51,1* 7(03(5$785( 722 +,*+
0$. ( 685( $,5 ,1 $1' 287/(76 $5( 127 %/2&.( '
0$. ( 685( 7+( (19,5210(17 7(03(5$785( ,6 81'(5 '(*5(( 8
    
```

- ▶ 5HSODFLQJ WKH ODPS WKH ODPS LV DERX
OLIHVLPH 3UHSUDH WR UHSODFH LW VRRG

```

:51,1* /$03
/$03 :$51,1*
/$03 /,)( ,6 $%29( /,0,7 7,0( /$03 2))
    
```

```

:51,1* /$03
/$03 :$51,1*
3/($6( 5(3/$&( 7+( /$03
    
```

127(:KHQ \RX FRQWLQXH WR XVH WKH SUR
KRXUV DIWHU WKH ODPS KDV UHDFKHG WKI
FDQQRW WXUQ RQ

,I WKLW KDSSHQV DIWHU UHSODFLQJ WKH
DQG WKHQ SUHVW DQG KROG WKH +(/3 EXW
DW OHDVW VHFRRGV 7KLV ZLOO DOORZ
&OHDU WKH ODPS KRXUV E\ VHOHFWLQJ '23
6(77,1*6µ ! '&/(\$5 /\$03 +2856µ IURP WKH PH

- ▶)DQ IDLOHG WKH V\WVHP IDQ LV QRW ZRU

```

:51,1* )$1 /2&.( '
7+( 352-( &725 :// 6:,7&+ 2)) $8720$7,&$//<
    
```

- ▶ &OHDQLQJ WKH AOWHU

```

:51,1* ),/7(5
3/($6( &/($1 7+( ),/7(5
    
```

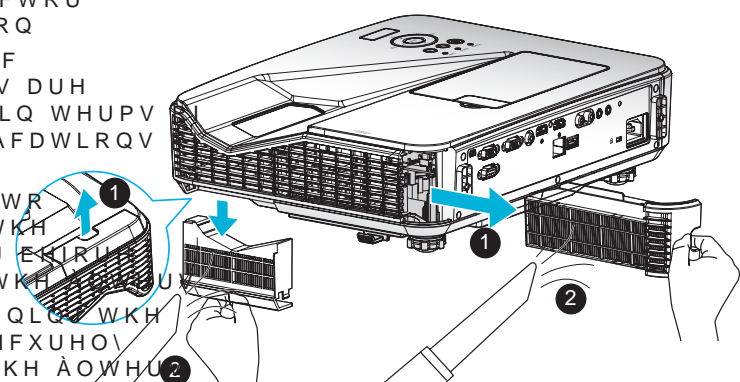
Installing and Cleaning the Air Filter

:H UHFRPPHQQ \RX FOHDQ WKH DLU ÀOW
 RSHUDWLRQ RU PRUH RIWHQ LI \RX DUH
 GXVW\ HQYLURQPHQW

:KHQ WKH ZDUQLQJ PHVVDJH DSSHDUV R
 IROORZLQJ WR FOHDQ WKH DLU ÀOWHU



- ❖ \$ SURSHU
 PDLQWHQDQFH
 ZLOO SUHYHQW
 RYHUKHDWLQJ
 DQG SURMHFWRU
 PDOIXQFWLRQ
- ❖ 7KH VSHFLÄF
 LQWHUIDFHV DUH
 VHOHFWHG LQ WHUPV
 WKH VSHFLÄFDWLRQV
 WISHV
- ❖ 0DNH VXUH WR
 SRZHU RII WKH
 SURMHFWRU ENIRU
 FOHDQLQJ WKH
- ❖ \$IWHU FOHDQLQJ WKH
 ÀOWHUV VHFUXHO\
 LQVWDOO WKH ÀOWHU
- ❖ :KHQ WKH ÀOWHUV DUH
 UHPRYHG GR QRW
 SXW \RXU ÀQJHUV
 LQWR WKH RSHQLQJV
 RQ WKH SURMHFWRU



Filter Replacing Procedure:

6ZLWFK RII WKH SRZHU WR WKH SURMHFWRU E\ SUHV
 UHPRWH FRQVLEWV RQ WKH WKH FRQWURO SDQH
 'LVFRQQHFW WKH SRZHU FRUG
 3XOO RXW WKH ÀOWHUV DV VKRZQ LQ WKH LOOKVWU
 &DUHIXOO\ UHPRYH WKH ÀOWHUV 7KHQ FOHDQ RU U
 7R LQVWDOO WKH ÀOWHUV UHYHUVH WKH SUHYLRXV V
 7XUQ RQ WKH SURMHFWRU DQG UHVHW WKH ÀOWHU X
 UHSODFHG

Replacing the lamp

optional lamp NP34LP

7KH SURMHFWRU ZLOO GHWHFW WKH ODI
ORGH 2II KRXUV LQ (FR ORGH 2Q :K
/(' LQGLFDWRU ÁDVKHV UHG DQG WKH PH
VFUHHQ WKH SURMHFWRU KDV GHWHFW
LWV HQG 5RHHUWR) SWJZLOO VKRZ \RX D
PHVVDJH



```
:$51,1* /$03  
/$03 :$51,1*  
/$03 /,)( ,6 %29( /,0,7 7,0( /$03 2))
```

:DUQLQJ 7R DYRLG
EXUQV DOORZ WKH
SURMHFWRU WR FRROIRU
DW OHDVW PLQXWHV
EHIRUH \RX UHSODFH
WKH ODPS

```
:$51,1* /$03  
/$03 :$51,1*  
/$03 /,)( (:& (('
```

:KHQ \RX VHH WKLW PHVVDJH FKDQJH W
SRVVLEOH ODNH VXUH WKH SURMHFWRU
OHDVW PLQXWHV EHIRUH FKDQJLQJ W
ODNH VXUH WR UHSODFH WKH ODPS DQG



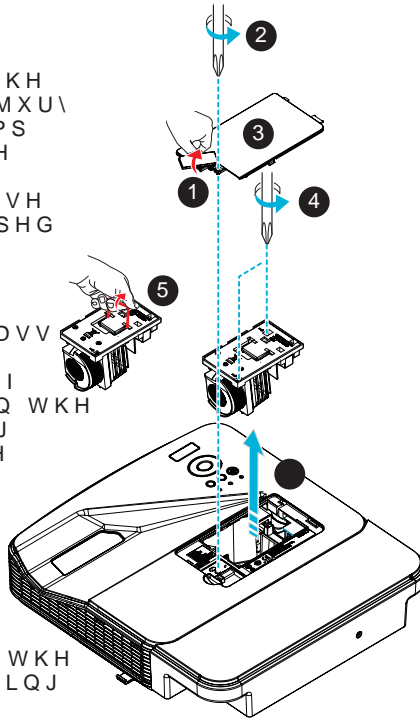
:DUQLQJ 7R UHGXFH WKH
 ULVN RI SHUVRQDO LQMXU\
 GR QRW GURS WKH ODPS
 PRGXOH RU WRXFK WKH
 ODPS EXOE 7KH EXOE
 PD\ VKDWWHU DQG FDXVH
 LQMXU\ LI LW LV GURSSHG



'R QRW EUHDN WKH JODVV
 RQ WKH ODPS PRGXOH
 .HHS ÀQJHU SULQWV RII
 WKH JODVV VXUIDFH RQ WKH
 ODPS PRGXOH /HDYLQJ
 ÀQJHU SULQWV RQ WKH
 JODVV VXUIDFH PLJKW
 FDXVH DQ XQZDQWHG
 VKDGRZ DQG SRRU
 SLFWXUH TXDOLW\



%H VXUH WR WLJKWHQ WKH
 VFUHZV DIWHU UHSODFLQJ
 WKH ODPS PRGXOH



Lamp Replacing Procedure:

6ZLWFK RII WKH SRZHU WR WKH SURMHFWURU E\ SUHV
 UHPRWH FROVU\ EXW WR BOWKE WKH FRQWURO SDQH
 \$OORZ WKH SURMHFWURU WR FRRO GRZQ DW OHDVW
 'LVFRQQHFH WKH SRZHU FRUG
 5HPRYH WKH GXDP\ FRYHU
 8VH D VFUHZGULYHU WR ORRVHQ WKH VFUHZ RQ WKH
 6OLGH DQG UHPRYH WKH FRYHU
 /RRVHQ VFUHZV RQ WKH ODPS PRGXOH
 /LIW WKH SKDQGOH
 3XOO RXW WKH ODPS PRGXOH
 ,QVWDOO WKH QHZ ODPS PRGXOH E\ UHYHUVLQJ WKH
 WKH VFUHZV RQ WKH ODPS PRGXOH DQG WKH ODPS
 5HSODFH WKH HÄJOW RI USDJH
 \$IWHU UHSODFLQJ WKH ODPS DQG FKDQJLQJ WKH ÄO
 WKH >0(18@ EXWWRQ ! 237,216 _/\$03),/7(5 6(77,1*6
 +2856 WR UHVHW WKH ODPS XVDJH KRUV DQG &/(\$5
 ÄOWHU XVDJH KRUV 5HIHU WR SDJH

Cleaning procedure for the cover glass

,I WKH FRYHU JODVV RI SURMHFWLRQ OH
SOHDVH FOHDQ LW DV IROORZLQJ SURFH
7XUQ RII WKH SURMHFWRU DQG FRRO S
8QSOXJ WKH SRZHU FRUG IURP RXWOHV
%ORZ WKH GXVW E\ EORZHU IRU FDPHU
IURP FDPHUD VKRSV :LSH WKH FRYHU J
FOHDQLQJ FORWK

 CAUTION:

‡0DNH VXUH WR XVH D FRPPHUFLEDOO\ DYDLDEOH FO
RU OHQV
‡3OHDVH GR QRW ZLSH WKH FRYHU JODVV KDUG EHF
RQ WKH VXUIDFH RI LW
‡:LSLQJ PLJKW VFUDWFK WKH FRYHU JODVV 2SWLFDO
WKXV EH LPSDFWHG LI FRYHU JODVV LV VFUDWFKHG
LPSDFW ZLOO EH GHSHQGQHW RQ WKH VFUDWFK FRQ
‡'R QRW XVH OLTXLG FOHDQHUV RU FKHPLFDOV RQ WK
WKH FORWK DQG FDXVH VHULRXV GDPDJH RQ WKH VX
‡'R QRW XVH D VSUD\ FRQWDLQLQJ ÁDPPDEOH JDV WR
WKH FRYHU JODVV ,W PD\ FDXVH RI ÀUH

Specifications

Optical	13 8 +
3URMHFWLRQ 6\VDQFH F\KLS	μ DVSHFW UDWLR
5HVROXWLRQ	δ SL[HOV 3
/HQV	0DQXDO IRFXV)
/DPS	: \$& : LQ (&2 PRGH
/LJKW 2XWSXW	OXPHQV
	\$SSUR[LQ (&2 PRGH
&RQWUDVW 5DWLR	ZLWK '<1\$0,& &2175\$67 21
,PDJH 6L]H 'LDJRQDQ	μ WR P
3URMHFWLRQ 'LVWDQFH	FP
PLQL PD[

(IHFVLYH SL[HOV DUH PRUH WKDQ
 7KLV LV WKH OLJKW RXWSXW YDOXH OXPHQV ZKHQ >3LFWXUH OR
 RWKHU PRGH LV VHOHFWHG DV >3LFWXUH ORGH@ WKH OLJKW RXW
 &RPSOLDQFH ZLWK ,62

Electrical	13 8 +
,QSXWV	[9*\$ DQG < 3E 3U ['+0, 6WDQGDUG '+0, FRQQHF 0+ / IXQFWLRQ VXSSRUW [9*\$ \$XGLR 6WHUHR PLQ 9LGHR 5&\$ \HOORZ [&RPSRVLWH \$XGLR 5&\$ IR
2XWSXWV	[9*\$ ' VXE IHPDOH SLQ FRQQHFWRU 6HSDUDW 6WHUHR PLQL MDFN JUHHQ
3& &RQWURO	[3& &RQWURO 3RUW ' 6XE 3LQ
:LUHG /\$1 3RUW	[5- %\$(7
6HUFLFH 3RUW	OLQL 86% W\SH % IRU): GRZQORDG
2WKHUV	[86% W\SH \$ IRU SURYLGLQJ 9 \$ RXWSXW RQO\
&RORU 5HSURGXFWEROLRQ	FRORUV VLPXOWDQHRXVO\)XOO FROR
&RPSDWLEOH 6LSDQV	69*\$;*\$;*\$;*\$ 4XDG 9*\$;*\$ 6;*\$ 6;*\$;*\$ 8;*\$ +')XOO +' L S L S S L S '+0, 9*\$ 69*\$;*\$;*\$ 4XDG 9*\$ 6;*\$ 6;*\$;*\$;*\$;*\$:6;*\$ L S L S S L S
+RUL]RQWDO 5HVRORQV	176& 176& 3\$/ 3\$/ 0 3\$/ 1 3\$/ 79 OLQHV 6(&\$0
6FDQ 5DWH	+V\QF)UHTXHQF\ N a N+] 9V\QF)UHTXHQF\ a +]
6\QF &RPSDWLEOH	6SDUDWH 6\QF
%XLOW LQ 6SHDNHU	

Electrical	13 8 +
3RZHU 5HTXLUHPHQW 9 \$& +]	
,QSW &XUUHQW \$	
3RZHU &RQVXPSWLRQ 7\SLFDO YDOXH	
(&2 ORGH 2))	: :
(&2 ORGH	: :
1HWZRUN 6WDQG:E\ :	
1RUPDO 6WDQG E\ :	
9 9\$&	
9 9\$&	

+'0,® 'HHS &RORU /LS 6\QF ZLWK +'&3
:KDW LV +'&3 +'&3 WHFKQRORJ]"
+'&3 LV DQ DFURQ\PIRU +LJK EDQGZLGWK 'LJLWDO &RQWHQW 3UR
3URWHFWLRQ +'&3 LV D V\WHP IRU SUHYHQWLQJ LOOHJDO FRSL
OXOWLPHGLD ,QWHUIDFH +'0,
,I \RX DUH XQDEOH WR YLHZ PDWHULDO YLD WKH +'0, LQSW WKL
LV QRW IXQFWLRQLQJ SURSHU\ :LWK WKH LPSOHPHQDWRQ RI
FRQWHQW LV SURWHFWHG ZLWK +'&3 DQG PLJKW QRW EH GLVSOD\
FRPPXQLW\ 'LJLWDO &RQWHQW 3URWHFWLRQ // &
9LGH R 'HHS &RORU ELW /LS6\QF
\$Q LPDJH ZLWK KLJKHU RU ORZHU UHVROXWLRQ WKDQ WKH SURMH
GLVSOD\HG ZLWK VFDOLQJ WHFKQRORJ\

Mechanical	13 8 +
,QVWDOODWLRQ 2UNWQVQVWRQ 'HVNWRS 5HDU &HLOLQJ)UROW &	
'LPHQVLRQV	μ : δ μ + δ μ ' PP : δ PP + δ QRW LQFOXGLQJ SURWUXVLRQV μ : δ μ + δ μ ' PP : δ PP + δ ZLWK FDEOH FRYHU DQG WLOW IRRW
:HLJKW	OEV NJ
(QYLURQPHQW QSHUDWLRQDO 7HPSHUDWXUHV f WR f f & WR &RQVLGHUDWLRQ VWR KXPLGLW\ QRQ FRQGHQVLQJ 6WRUDJH 7HPSHUDWXUHV f WR f) f WR f & WR KXPLGLW\ QRQ FRQGHQVLQJ	

5HJXODWLRQV	8/ & 8/ \$SSURYHG 8/ &6\$ 0HHWV '2& &DQDGD &ODVV % UHTXLUHPPHQQVV 0HHWV)&& &ODVV % UHTXLUHPPHQQVV 0HHWV \$6 1=6 &,635 &ODVV % 0HHWV (0& 'LUHFWLYH (1 (1 (1 (1 (1 0HHWV /RZ 9ROWDJH 'LUHFWLYH (1 7h9 \$SSUR
-------------	--



2SHUDWLRQDO WHPSHUDWXUHV

WR IHHW P LQ WKH UDQJH RI f WR f) f WR f&
 IHHW P WR IHHW P LQ WKH UDQJH RI f WR f) f
 IHHW P WR IHHW P LQ WKH UDQJH RI f WR f) f
 6HW >)\$1 02'(@ WR >+,*+ \$/7,78'(@ ZKHQ XVLQJ WKH SURMHFWRU D
 IHHW P RU KLJKHU

Compatibility Modes

▶ VGA Analog

9 * \$ \$ Q D O R J 3 & 6 L J Q D O

0 R G H V	5 H V R O X W L R	Q ⁹ (U H T X H Q + F) U H T X H Q F \	G > +] @	H Q + F) U H T X H Q F \	G > +] @
9 * \$	[31.5	
9 * \$	[
9 * \$	[
9 * \$	[85		43.3	
6 9 * \$	[35.1	
6 9 * \$	[
6 9 * \$	[48.1	
6 9 * \$	[
6 9 * \$	[85			
; * \$	[48.4	
; * \$	[
; * \$	[
; * \$	[85			
; * \$	[
; * \$	[
; * \$	[85			
4 X D G 9 * \$	[
6 ; * \$	[
6 ; * \$	[
6 ; * \$	[85			
6 ; * \$	[
8 ; * \$	[
\$ S S O H 0 D F , ,	[
\$ S S O H 0 D F , ,	[
\$ S S O H 0 D F , ,	[

9*\$ \$QDORJ ([WHQGHG :LGH WLPLC

ORGHV	5HVROXWLRQ	9 UHTXHQF	UHTXHQF
+'	[44.8
::*\$	[
::*\$	[
::*\$	[
)XOO +'	[3		

9*\$ \$QDORJ &RPSRQHQW 6LJQDO

ORGHV	5HVROXWLRQ	9 UHTXHQF	UHTXHQF
L	[
L	[
S	[31.5
S	[31.3
S	[
S	[
L	[33.8
L	[28.1
S	[
S	[
S	[

+ '0, 9LGHR 6LJQDO

ORGHV	5HVROXWLRQ	9)UHTX >+]@	HQFUHTX >.+]@	HQF\
L	[[
L	[[
S	[31.5	
S	[31.5	
S	[31.3	
S	[
S	[
L	[33.8	
L	[28.1	
S	[
S	[
S	[

+ '0, 2 ' 7LPLQJ

ORGHV	5HVROXWLRQ	9)UHTX >+]@	HQFUHTX >.+]@	HQF\
S)UDPH 3DFNLQJ	[
S)UDPH 3DFNLQJ	[
S)UDPH 3DFNLQJ	[24		
S 7RS DQG %RWWRP	[
S 7RS DQG %RWWRP	[
S 7RS DQG %RWWRP	[24		
L 6LGH E\ 6LGH +DQI			28.1	
L 6LGH E\ 6LGH +DQI			33.8	
+RUL]RQWDO VFDQ NDWH]				
*UDSKLF VRXUFH PRQLWRU UDQJH OLPLWV 9HUWLFDO VFDQ UDWH]				
	0D[SL[HO UDWH	\$DORJ L]LWDO	0+	0+

0+ / VLJQDO WDEOH

6LJQDO	5HVROXWLRQ	9)UHTX >+]@	HQFUHTX >.+]@	HQF\
9*\$	[
+ '79 S	[
+ '79 L	[
+ '79 S	[
6 '79 S	[
6 '79 S	[

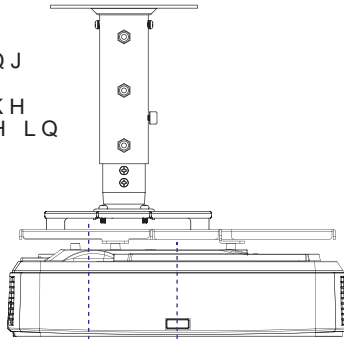
TIP:

‡\$Q LPDJH ZLWK KLJKHU RU ORZHU UHVROXWLRQ
UHVROXWLRQ ZLOO EH GLVSOD\HG ZLWK VFDOLG
‡6\QF RQ *UHHQ DQG &RPSRVLWH V\QF VLJQDOV D
‡6LJQDOV RWKHU WKDQ WKRVH VSHFLÀHG LQ WKH
FRUUHFWO\ ,I WKLV VKRXOG KDSSHQ FKDQJH W
\RXU 3& 5HIHU WR 'LVSOD\ 3URSHUWLHV KHOS V
GXUHV



Ceiling Mount Installation

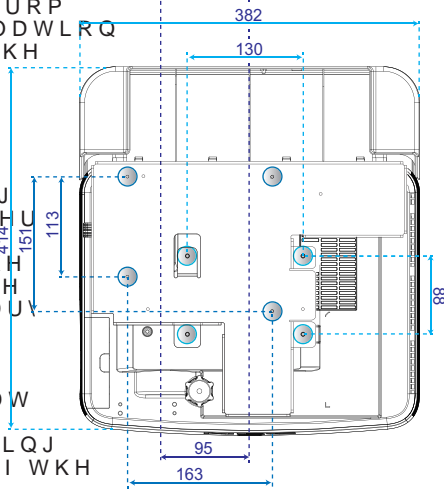
:DUQLQJ
 ,I \RX ZLVK WR K D Y H W K H
 SURMHFWRU L Q W D O O H G W K H V F U H Z V X V H G W R D W W D F K
 W K H F H L O L Q J P H H W W K H I R O O R Z L Q J V S H F L A F D W L R Q V
 'R Q R W D W W H P S W W R
 L Q V W D O O W K H S U R M H F W R U S H 0
 \R X U V H O I
 7 K H S U R M H F W R U D X L V X E P V F U H Z O H Q J W K P P
 L Q V W D O O H G E I T X D O L I L H G
 W H F K Q L F L D Q V L O L Q J P V F U H Z O H Q J W K P P
 W R H Q V X U H S U R S H U
 R S H U D W L R Q D Q G U H G X F H
 W K H U L V N R I E R G L O \\
 L Q M X U \\
 , Q D G G L W L R Q W K H
 F H L O L Q J P X V W E H V W U R Q J
 H Q R X J K W R V X S S R U W
 W K H S U R M H F W R U D Q G W K H
 L Q V W D O O D W L R Q P X V W E H L Q
 D F F R U G D Q F H Z L W K D Q \\
 O R F D O E X L O G L Q J F R G H V
 3 O H D V H F R Q V X O W \R X U
 G H D O H U I R U P R U H
 L Q I R U P D W L R Q



3 O H D V H Q R W H W K D W
 G D P D J H U H V X O W L Q J I U R P
 L Q F R U U H F W L Q V W D O O D W L R Q
 Z L O O L Q Y D O L G D W H W K H
 Z D U U D Q W \



:DUQLQJ
 ,I \RX EX\ D FHLQLQJ
 PRXQW IURP DQRWKT
 FRPSDQ\ SOHDVH
 EH VXUH WR XVH WKH
 FRUHHFW VFUHZ VLJH
 6FUHZ VLJH ZLOO YDUY
 GSHQGLQJ RQ WKH
 WKLFNQHVV RI WKH
 PRXQWLQJ SODWH
 %H VXUH WR NHHS DW
 OHDVW FP JDS
 EHWZHHQ WKH FHLQLQJ
 DQG WKH ERWWRP RI WKH
 SURMHFWRU
 \$YRLG LQVWDOOLQJ WKH
 SURMHFWRU QHDU D KHDW
 VRXUFH

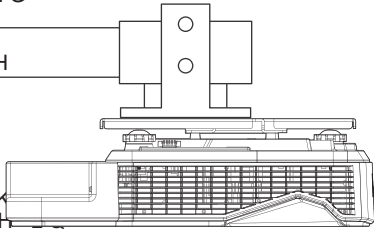


8QLW PP



Wall Mount Installation

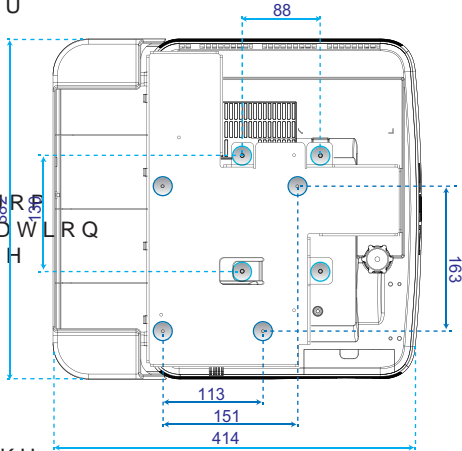
:DUQLQJ
 ,I\RX ZLVK WR KDYH WKH
 SURMHFWRU LQVWDOODWLRQ À[E\ VFUHZV
 WKH ZDOO
 'R QRW DWWHPSW WR
 LQVWDOO WKH SURMHFWRU
 \RXUVHOI
 7KH SURMHFWRU PXVW EH
 LQVWDOOHG E\ TXDOLILHG
 WHFKQLFLDQV LQ RUGHU
 WR HQVXUH SURSHU
 RSHUDWLRQ DQG UHGXFH
 WKH ULVN RI ERGLO\
 LQMXU\
 ,Q DGGLWLRQ WKH
 ZDOO PXVW EH VWURQJ
 HQRXJK WR VXSSRUW
 WKH SURMHFWRU DQG WKH
 LQVWDOODWLRQ PXVW EH
 DFFRUGDQFH ZLWK DQ\
 ORFDO EXLOGLQJ FRGHV
 3OHDVH FRQVXOW \RXU
 GHDOHU IRU PRUH
 LQIRUPDWLRQ



8QLW PP



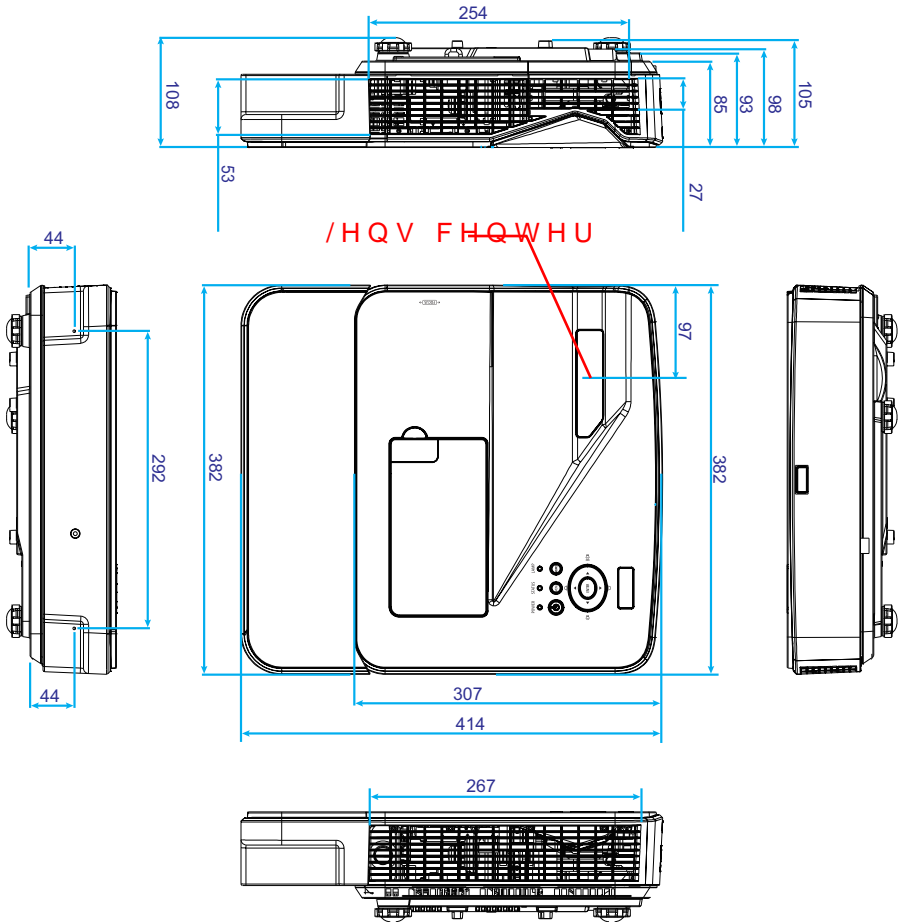
3OHDVH QRWH WKDW
 GDPDJH UHVXOWLQJ IURP
 LQFRUUHFW LQVWDOODWLRQ
 ZLOO LQYDOLGDWH WKH
 ZDUUDQW\



:DUQLQJ
 \$YRLG LQVWDOOLQJ WKH
 SURMHFWRU QHDU D KHDW
 VRXUFH

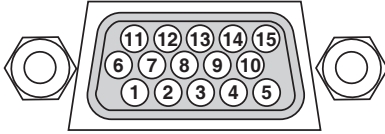
Cabinet Dimensions

8QLW PP



Pin Assignments of D-Sub COMPUTER Input Connector

Mini D-Sub 15 Pin Connector



Signal Level

Video signal : 0.7Vp-p (Analog)

Sync signal : TTL level

Pin No.	RGB Signal (Analog)	YCbCr Signal
1	Red	Cr
2	Green	Y
3	Blue	Cb
4	Ground	
5	Ground	
6	Red Ground	Cr Ground
7	Green Gro	Y Ground
8	Blue Ground	Cb Ground
9	No Connection	
10	Sync Signal Ground	
11	No Connection	
12	Bi-directional DATA (SDA)	
13	Horizontal Sync or Composite Sync	
14	Vertical Sync	
15	Data Clock	

PC Control Codes and Cable Connection

PC Control Codes

Function	Code Data							
POWER ON	02H	00H	00H	00H	00H	02H		
POWER OFF	02H	01H	00H	00H	00H	03H		
INPUT SELECT COMPUTER	02H	03H	00H	00H	02H	01H	01H	09H
INPUT SELECT HDMI 1	02H	03H	00H	00H	02H	01H	A1H	A9H
INPUT SELECT HDMI 2	02H	03H	00H	00H	02H	01H	A2H	AAH
INPUT SELECT VIDEO	02H	03H	00H	00H	02H	01H	06H	0EH
PICTURE MUTE ON	02H	10H	00H	00H	00H	12H		
PICTURE MUTE OFF	02H	11H	00H	00H	00H	13H		
SOUND MUTE ON	02H	12H	00H	00H	00H	14H		
SOUND MUTE OFF	02H	13H	00H	00H	00H	15H		

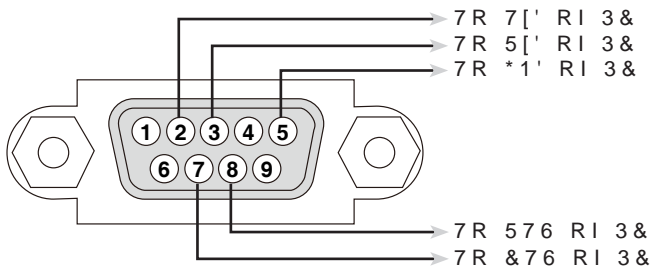
127(&RQWDFW \RXU ORFDO GHDOHU IRU D IXOO OLVW RI WKH 3 & RQWURO &RGHV

Cable Connection

Communication Protocol

Baud rate38400 bps
 Data length8.bits
 ParityNo.parity
 Stop bitOne bit
 X on/offNone
 Communications procedureFull duplex

PC Control Connector (D-SUB 9P)



127(3LQV DQG DUH QR XVHG

127(-XPSHU '5HTXHVW WR 6HQGµ DQG 'OHDU WR 6HQGµ WRJHWKHU RQ ERWK HC