

HITACHI
Inspire the Next

HITACHI
Inspire the Next

The new Hitachi LED Series
are the world's first 3500 lumen LED projectors.

LED Projector Series
20,000 hours of continuous projection



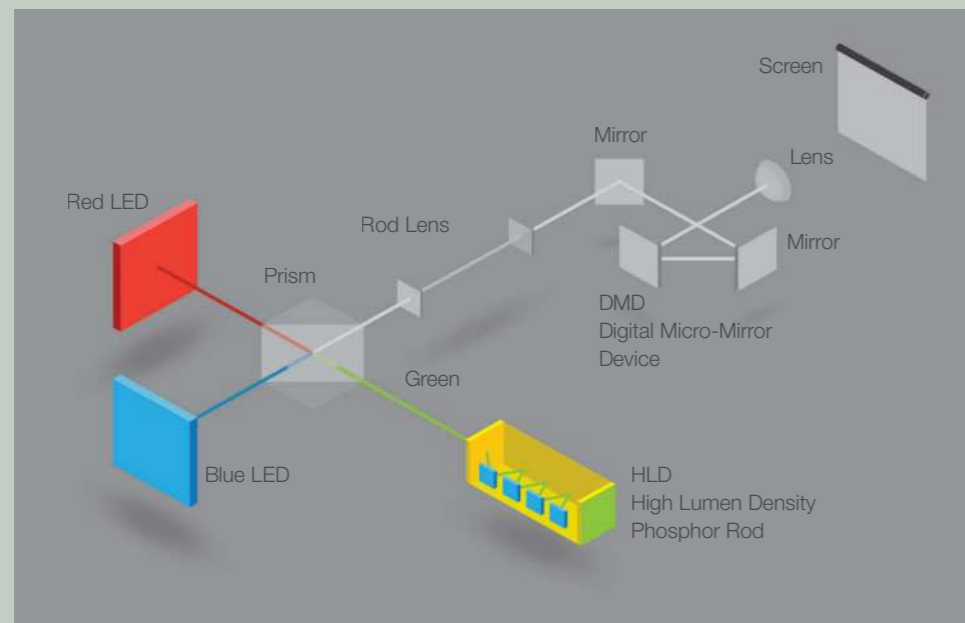
HITACHI DIGITAL MEDIA
Hitachi Europe Ltd, Whitebrook Park,
Lower Cookham Road, Maidenhead, Berkshire SL6 8YA
United Kingdom
Tel: +44 (0)1628 585 000 Fax: +44 (0)1628 585 163
www.hitachidigitalmedia.com

Our innovative new LED Projector series

The result of all our technical knowledge and experience, delivering bright, sharp images, long running times and low maintenance.

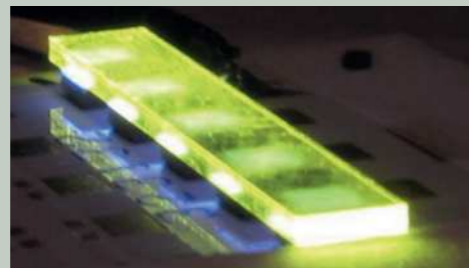
TECHNOLOGY

HIGH LUMEN DENSITY (HLD) TECHNOLOGY



Our new LED projectors achieve new levels of brightness by utilising our innovative HLD technology, which increases the brightness of the green, which, by its very nature, is never as bright as blue or red light.

A series of blue LEDs are directed into a phosphor rod, where the light is changed to green. This light source operates in tandem with high brightness red and blue LEDs which give a 3,500 lumen brightness and a 30,000:1 contrast ratio.



High Lumen Density phosphor rod, showing blue LED light changing to powerful green light.

DIGITAL CONNECTIVITY

HDBaseT CONNECTIVITY

HDBaseT allows the transmission of ultra-high-definition digital media signals via a standard LAN cable (Cat5e/6) up to a distance of 100m.

MHL CONNECTIVITY

The projectors' HDMI1 input terminal supports the MHL (Mobile High-Definition Link). This feature allows users to mirror the screen of MHL-enabled smartphones / tablets onto the projected screen.

HDMI OUT

HDMI Out* outputs the signal from HDMI1 or HDBaseT and enables connected projectors to show the same content on multiple screens simultaneously. Perfect for conferences or large venues.

*Up to 7 projectors can be connected in series via the HDMI Out terminal of this projector. The number of projectors that can be connected varies depending on the source device and cables used.

HIGH IMAGE QUALITY

COLOUR MANAGEMENT

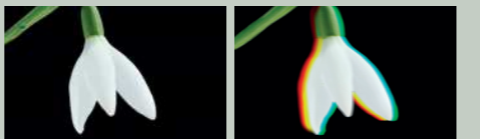
This allows users to adjust the HUE, saturation, and luminance for each of the 6 colours (red, green, blue, cyan, magenta and yellow) without them negatively impacting each other. Meaning images can be projected in a way that showcases some colours more than others, making sure your presentation stands out.

ACCENTUALIZER AND HDCR

Accentualizer will make images look more real by enhancing shade, sharpness and gloss, increasing the clarity of the image. The HDCR function corrects blurred areas caused by room lighting or outside light sources. It creates an effect similar to increasing contrast, resulting in clear images even in bright rooms.

NO COLOUR BREAK

LED light provides a stable and reliable light source, with considerably less image flicker than with lamp projectors. This is a benefit to audiences that watch for long periods of time, such as schools, where flickering images have been known to cause headaches.



HLD Technology Lamp

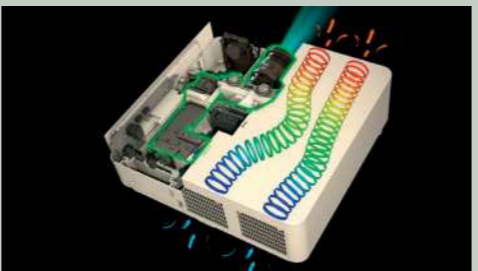
HIGH CONTRAST RATIO

The LED series features an impressive 30,000:1 contrast ratio for more vivid and realistic images.

LONG LASTING RELIABILITY

EASY MAINTENANCE AND LOW TCO

Our hermetically sealed engine eliminates the need for an air filter and prevents dust from being able to interfere with interior parts. This allows the projector to produce 20,000 hours of maintenance free, long lasting, high quality images. This drastically reduces the maintenance needs and total cost of ownership.



24/7 OPERATION MODE

The 24/7 Operation Mode allows for the projector to have long running times, ideal for retail situations.

LAMP FREE

With our lamp free technology you will no longer need to replace the lamp to maintain our trademark image quality. This not only improves the total cost of ownership of our LED projector series but the mercury usually found in projector lamps is not present, making it more environmentally friendly.

ADVANCED INSTALLATION & SYSTEM FEATURES

EASY SCHEDULE SETTING

You can schedule routine and special projector events, including power on, power off, input selection and other settings. Also notifications can be sent via email if an error occurs.

PERFECT FIT

With Perfect Fit, the four corners and four sides of a projected image can be adjusted to fit your screen perfectly, via the remote control.



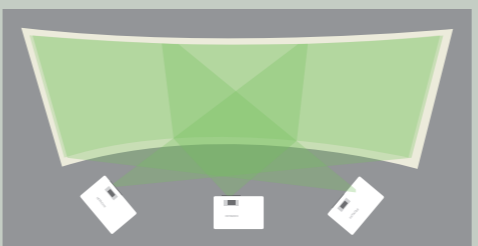
QUICK START

As there is no lamp, the projector only takes 8 seconds to warm up, so you can start your presentation almost immediately.

EDGE BLENDING AND WARPING

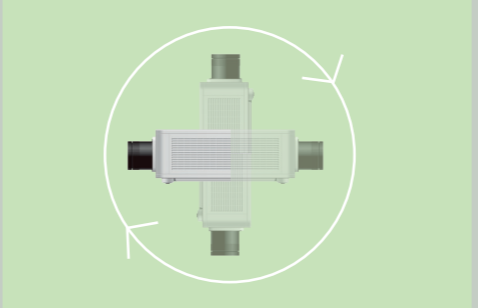
These models include Edge Blending and Warping* as standard, which allows you to create large images easily - with multiple projectors onto a curved wall. You can also use the Geometry Correction and Edge Blending functions simultaneously, allowing you to project onto spherical surfaces or corners.

*Additional equipment may be required for this feature.



360° PROJECTING

The projector provides great installation flexibility as it can be installed at any angle.



DISPLAY DEVICE	1 Chip DLP®	
Display System	LED	
Light Source	LED	
Display Device	0.67" Aspect Ratio 16:10	0.65" Aspect Ratio 16:10
Resolution	WUXGA (1,920 x 1,200)	WXGA (1,280 x 800)
LENS		
Zoom	Manual (x1.7)	
Focus	Manual	
Lens Shift	Manual V: 0-50% / H: ±4.4%	Manual V: 0-50% / H: ±5%
Keystone V/H	V: ±30° / H: ±30°	
IMAGE		
Light Output (brightness)	3,500 ANSI Lumens	
Contrast Ratio	30,000:1	
Image Size	30" - 300"	
Throw Ratio (:1)	1.4 - 2.3	
Throw Distance @100"	2.9 - 5.0m	
AUDIO		
Speaker	16w (mono)	
Audio Features	Standby Audio, Audio Pass through	
TERMINALS		
Digital Input	2 x HDMI (HDCP Compliant with MHL Capabilities), 1 x HDBaseT	
Analogue Input	1 x Mini-D-sub 15-pin connector	
Video Output	1 x HDMI output, 1 x Mini-D-sub 15-pin connector, 1 x RCA input	
Audio In	1 x 3.5mm stereo mini connector, 1 x RCA connector L/R	
Audio Out	1 x 3.5mm stereo mini connector	
Control (RS-232C)	1 x D-sub 9-pin connector	
Wireless/ LAN	Yes (Wireless dongle) / Yes (RJ45)	
Remote Control In	1 x 3.5mm stereo mini connector	
Remote Control Out	2 x 3.5mm stereo mini connector	
USB-A	1 x USB type A (used for wireless network)	
USB-B	1 x USB type B (used for mouse control)	
FEATURES		
Picture Modes	DICOM Mode, Colour Management, HDCR, Accentualizer, Image Optimizer, Perfect Fit	
Installation	Keystone (V/H), Perfect Fit, Edge Blending, Warping, PbyP, PinP, Instant Stack, Picture Shift, 360° Projection, Portrait Mode	
Security	Password / Myscreen Password, Pin Lock, Key Lock	
Network	Projector Monitoring (Wired LAN), Remote Control (Wired LAN), E-mail Alerts (Wired LAN), Screen Mirroring, Infrastructure Mode (Wireless LAN), Adhoc Mode (Wireless LAN), Simple Access Point (SoftAP), SNMP Management	
Languages	33*	
OPERATING		
Light Source Lifespan	Normal: 20,000 hrs / Eco: (TBC)	
Noise	Normal: 35dB / Eco: (TBC)	
Temperature	0-40°C	
Power Requirements	AC 100V-120V (50/60Hz): 5.6A AC 220V-240V (50/60Hz): 2.9A	
Power Consumption	AC 100V-120V: 560W AC 220V-240V: 550W	
Standby Mode Power Consumption	0.3w at saving mode	
DIMENSIONS		
Dimensions W x H x D	471 x 132 x 452mm (18.5" x 5.2" x 17.8") (Excluding protruding parts) 471 x 148 x 455mm (18.5" x 5.8" x 17.9") (Including protruding parts)	
Weight	Approx. 15.2kg (33.5lbs)	
ACCESSORIES		
Supplied	Power Cable (1.8m), Computer Cable (2.0m), Remote Control, 2 x AA Batteries, Lens Cover, Lens Cap, Adaptor Cover (for USB Wireless Adaptor), Security Label, User's Manual (CD), User's Manual (Book), Application CD	
Optional	Remote Control (HL03037), Wired Remote Control (HL03031), USB Wireless Adaptor (USBWL11N)	

Design and specifications are subject to change without notice. All other trademarks are the properties of their respective owners.

*English, French, German, Spanish, Italian, Norwegian, Dutch, Portuguese, Japanese, Chinese, Schinese, Korean, Swedish, Russian, Finnish, Polish, Turkish, Persian, Arabic, Thai, Danish, Czech, Hungarian, Romanian, Slovenian, Croatian, Lithuanian, Estonian, Latvian, Greek, Brasileiro, Indonesian, Vietnamese.



View :: Compare :: Select - www.ProSelecta.com