

LP-WU9100B

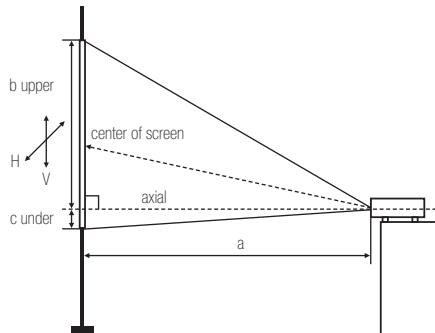
HITACHI
Inspire the Next

1-Chip DLP laser projector, 10000 ANSI Lumens, 30,000:1 contrast ratio, WUXGA (1920 x 1200) resolution

Technical Specifications



Lens not included



a: Projection distance from centre of lens to the screen.

THROW CHART 16:10 ASPECT RATIO (USING STANDARD SD-903 LENS)

Screen size (diagonal)	HxV		Projection distance (a)		Screen height (cm)	
	(m)	(m)	Wide (m)	Tele (m)	b upper	c under
50" (1.3 m)	1.1	0.7	1.7	2.6	74	-7
80" (2.0 m)	1.7	1.1	2.8	4.2	118	-11
100" (2.5 m)	2.2	1.3	3.479	5.3	148	-13
120" (3.0 m)	2.6	1.6	4.2	6.3	178	-16
200" (5.1 m)	4.3	2.7	7.0	10.6	296	-27
300" (7.6 m)	6.5	4.0	10.6	15.9	444	-40
400" (10.2 m)	8.6	5.4	14.2	21.2	592	-54
500" (12.7 m)	10.8	6.7	17.7	26.6	740	-67
600" (15.2 m)	12.9	8.1	21.3	31.9	888	-81

THROW CHART 16:9 ASPECT RATIO (USING STANDARD SD-903 LENS)

Screen size (diagonal)	HxV		Projection distance (a)		Screen height (cm)	
	(m)	(m)	Wide (m)	Tele (m)	b upper	c under
50" (1.3 m)	1.1	0.6	1.7	2.7	73	-10
80" (2.0 m)	1.8	1.0	2.8	4.3	116	-17
100" (2.5 m)	2.2	1.2	3.6	5.4	145	-21
120" (3.0 m)	2.7	1.5	4.3	6.5	174	-25
200" (5.1 m)	4.4	2.5	7.2	10.9	291	-42
300" (7.6 m)	6.6	3.7	10.9	16.3	436	-62
400" (10.2 m)	8.9	5.0	14.6	21.8	581	-83
500" (12.4 m)	11.1	6.2	18.2	27.3	726	-104
600" (15.2 m)	13.3	7.5	21.9	32.8	872	-125

Hitachi Throw Calculator:
<http://www.hitachidigitalmedia.com/en-gb/throw-distance-calculator>

OPTICAL

Display System	1-chip DLP (0.67 inches)
Resolution	WUXGA (1920 x 1200)
Light Output (Brightness) ANSI Lumens	10000 (Normal)
Contrast Ratio	30,000:1
Lens	Optional
Lens Zoom	Powered Zoom x 1.5 (using SD-903)
Lens Focus	Powered Focus
Lens Shift	Powered Lens Shift
Projection Lens F Number	1.6 - 2.0 (using SD-903)
Throw Distance	1.8 – 21.4m (WIDE) / 2.7 – 31.9m (TELE) (using SD-903)
Distance to Width Ratio/ Throw Ratio (:1)	FL-920 Throw 0.38; USL-901A Throw 0.8-1.0; SL-902 Throw 1.1-1.7; SD-903 Throw 1.6-2.4; ML-904 Throw 2.4-3.6; LL-905 throw 3.5-5.6; UL-906 Throw 5.5-8.8
Diagonal Display Size	50 – 600 inches (using SD-903)

FEATURES

Installation	Rear, Ceiling, Tabletop, Portrait
Digital Keystone	Horizontal: ± 60 degrees, Vertical: ± 40 degrees
Picture Modes	Laser mode (Normal, Eco, Custom)
Picture Adjustments	HDCR, Accentualizer, Color Management, Dicom Mode
Network Features	Command control via Network, Crestron RoomView®, AMX, Extron XTP system, PJ Link; Webcontrol
Supported Languages	English, French, Spanish, German, Simplified Chinese, Japanese, Korean, Portuguese, Traditional Chinese

COMPATIBILITY

Video	525i(480i), 625i(576i), 1125i(1080i)
Computer	IBM Compatible VGA, SVGA, XGA, WXGA, WXGA+, SXGA, SXGA+, UXGA, WUXGA

CONNECTIONS

Digital Input	HDMI x 2 (Supporting HDCP decoding), DVI-D x 1, SDI BNC x 1, HDBase-T x 1
Analogue Input	15 pin D-Sub shrink x 1, 5 BNC x 1
Video Output	SDI BNC x 1
Audio Input	No Audio Output
Audio Output	No Audio Output
RS-232C Control	1 x 9-pin D-Sub
Wired LAN	RJ45 connector x 1 (shared with HDBase-T)
Wireless LAN	No
Wired Remote I/O	Yes

POWER

Power Supply	AC 100V – 130V / AC 200V – 240V (50/60 Hz)
Power Consumption Operating / Standby	13.4A / 6.2A 1340W / 1240W / Less than 0.5W

PHYSICAL

Weight	28 kg (without lens)
Dimensions (W x H x D)	500 x 216 x 576mm
Operation Noise	42dB (Normal), 39dB (Eco)

ACCESSORIES

Supplied Accessories	Power cord: US cord for 125V (2.5m) x 1, US cord for 250V (2.5m) x 1, EURO cord (2.5m) x 1, Remote Control unit x 1, AA Battery x 2, Wired Remote cable x 1, RS232C cable (Cross, Male to Male) x 1, RGB cable (1.8m) x 1
Remote Control	HL02806

WARRANTY

Projector / Light Source Warranty	5years or 10,000Hrs whichever comes first
-----------------------------------	---

LENS OPTIONS

Lens Code	Lens Type	Screen Size	Throw Ratio	F Number	Lens Shift	Weight
FL-920	Ultra short throw lens, Fixed Zoom	100-350"	0.38	2	82.5%; +/-0%	3.1Kg
USL-901A	Ultra short throw lens, Zoom x 1.3	50-600"	0.8 – 1.0	1.8-2.3	-22-50%; +/-10%	1.8Kg
SL-902	Short throw lens, Zoom x 1.5	50-600"	1.1-1.7	1.8-2.3	-22-60%; +/-10%	2.0Kg
SD-903	Standard throw lens, Zoom x 1.5	50-600"	1.6-2.4	1.6-2.0	-22-60%; +/-10%	1.3Kg
ML-904	Medium Throw Lens, 1.5x Zoom	50-600"	2.4-3.6	1.8-2.3	-22-60%; +/-10%	1.8Kg
LL-905	Long Throw Lens, 1.6x Zoom	50-600"	3.5-5.6	1.8-2.2	-22-60%; +/-10%	1.9Kg
UL-906	Ultra Long Throw Lens, Zoom x 1.6	50-600"	5.5-8.8	1.8-2.3	-22-60%; +/-10%	1.8Kg

