

Think GAIA
For Life and the Earth

SANYO

Ultra Portable Multimedia
Projector

PLC-XU88



High-Speed Wireless Image Transfer



Brightness of 3,000 lumens



High-Speed Wireless Image Transfer

Newly developed image / audio processor and new algorithm application achieve high-speed wireless image transfer.

Bright Images Even In a Well-Lit Room

The PLC-XU88 series uses a 200-watt UHP lamp for outstanding brightness and well-balanced color reproduction. The PLC-XU88 provides 3,000 lumens brightness.

Wireless/Wired LAN Capability

The PLC-XU88 is ready for wireless and wired LAN connection to give you greater projection versatility.

Multi Control with Web Management

With Multi-Control, a single computer can setup and control multiple projectors up to 64 units at the same time. With the Web Management feature, projector functions such as power status, lamp status, input mode, signal condition, and lamp-use time can be monitored through the network by using a web browser.

Moderator Function

This function lets you choose which PC to use for projection when several PCs are connected to a projector. In a classroom, for instance, a teacher or presenter can select which of the students' PC images to project. It also prevents unauthorized or accidental projection.

IEEE 802.11b/ g Wireless Function

The wireless interface is compatible with IEEE802.11b/g standards, offering transfer speeds up to 54Mbps and providing WEP 64/ 128-bit security.

Easy Wireless Connection

Connection settings for the projector and PC are made automatically. After the presentation, wireless settings are restored to their previous status. This works for both the Adhoc, where the data is sent directly from the PC to the projector, and the infrastructure mode, where the data is sent through an access point.

- Real-Time Transmission • One-Shot Transmission
- Five-Unit Simultaneous Projection • E-mail Alert • WEP/ WPA/ WPA2

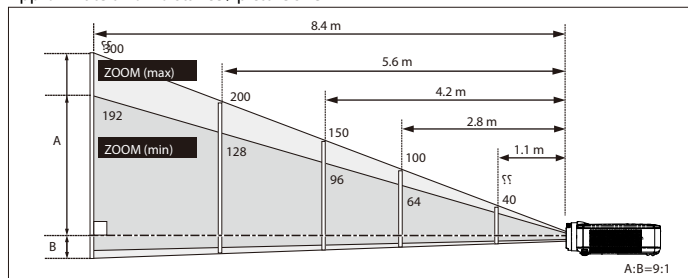
1.57x Optical and 16x Digital Zoom

In addition to its 1.57x optical zoom, the PLC-XU88 features a 1/2x to 16x digital zoom that lets you easily enlarge or reduce the screen display size as desired.

Other Features

- SD card viewer • PJ Link compatibility • 16-Language on-screen menu
- Custom startup logo • User logo (screen capture) • No show
- Freeze • Presentation timer

Approximate throw distance / picture size



| Screen Size (W x H) mm | 40" | 100" | 150" | 200" | 300" |
|------------------------|-----------|-------------|-------------|-------------|-------------|
| 4:3 aspect ratio | 813 x 610 | 2032 x 1524 | 3048 x 2286 | 4064 x 3048 | 6095 x 4572 |
| Zoom (min) | 1.1 m | 2.8 m | 4.2 m | 5.6 m | 8.4 m |
| Zoom (max) | 1.7 m | 4.4 m | 6.6 m | 8.8 m | 13.1 m |

<http://www.sanyo-lcdp.com/english/>

Caution: Please consult the instruction manual to ensure safe and proper operation of the product.

Distributed by:

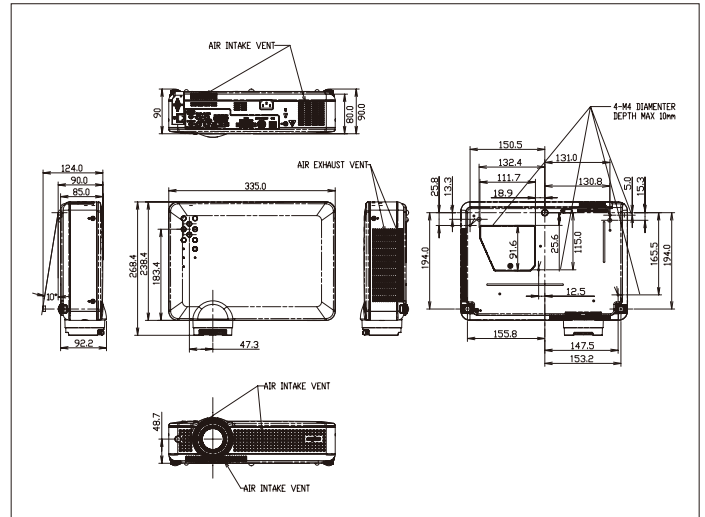
Specifications

| | |
|------------------------|--|
| Model name | PLC-XU88 |
| Panel | 0.63 inch TFT p-Si x 3 with Micro Lens |
| Number of pixels | 2,359,296 (1024 x 768 dots) |
| Projection lamp | 220W UHP 1.0 mm (154 W ~ 220 W) |
| Brightness (typical) | 3000 lm |
| Contrast | 500:1 (Lamp mode "AUTO" & "Dynamic mode") |
| Uniformity | 85 % (corner to center) |
| Projection lens | F1.6 - 2.5, f=17.7 ~ 28.3 mm |
| Screen size | 40" ~ 300" 1.1(wide) ~ 13.1(tele) m, 100" at 2.8 ~ 4.4 m |
| Zoom / Focus | 1:1.57 Manual driven U:D=9:1 |
| SD&HDTV signals | 480i, 480p, 575i, 575p, 720p, 1035i and 1080i |
| Color systems | PAL/ SECAM/ NTSC/ NTSC4.43/ PAL-M/N |
| Video Signal | Composite, S-Video, D-sub 15pin for Component |
| Video Terminal | RCA : Composite Video Mini-DIN 4-pin : S-Video |
| Computer compatibility | UXGA/ WXGA/ SXGA/ XGA/ SVGA/ VGA/ MAC ... Analog |
| Computer Terminal | DVI-I for Input, D-sub15 pin for Input & Monitor Out |
| Audio | RCA (L / R) for Video Input Mini-Jack (Stereo) for Computer Input Mini-Jack (Stereo) for output (variable) |
| Communication Terminal | Service Port (RS-232C), USB type B |
| Presentation Tool | Freeze/ Digital Zoom/ No Show / Page Up-Down / etc |
| Other Feature | Progressive, 3-2 & 2-2 pull down, LTI & CTI, User Logo Security : PIN code lock, Key lock, Audio Alarm |
| Scanning frequency | H/V sync ~100kHz, ~100Hz Dot clock 140 MHz |
| Sound output | 1.0 W Mono |
| Voltage | 100V -240V AC (auto voltage) |
| Dimensions (W x H x D) | 335.0 x 80.0 x 238.4 mm (not including protrusion) |
| Weight | 3.3 kg |

*Specifications as of June 13,2007, subject to change.

*All product names and company names are trademarks or registered trademarks of their respective companies

External dimensions (unit: mm)



All products manufactured by the Projector Integrated Business Unit of SANYO's DI Company employ a quality management system that has undergone the inspection and registration process of the ISO 9001:2000 international standard.



SANYO's DI Company has received ISO 14001 certification for the environmental management system used in its factory.



Pixelworks ICs are used in this projector

SANYO

SANYO Electric Co., Ltd.
DI company

©2007 SANYO Printed in Japan 2007.10 Sl.
SML100