

Think GAIA
For Life and the Earth

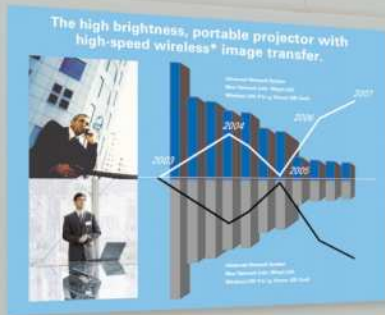
SANYO

Ultra Portable Multimedia Projector

PLC-XU115/ XU105

A Bright, Portable Projector with High-Speed
Wireless* Image Transfer

* PLC-XU115 only.



PLC-XU115

Brightness of 4,500 lumens



Bright 4,500 Lumens

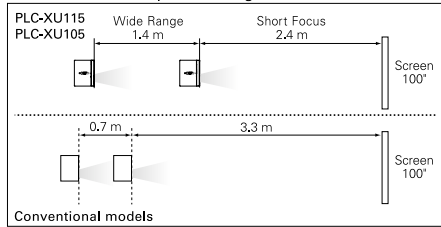
PLC-XU115/ XU105 achieve a bright 4,500 lumens thanks to a number of advanced technologies in their optical engine and a 275-W lamp. Approaching the brightness of many large, multi-lamp models, these advanced projectors are suited to a wide range of applications in event halls, classrooms, and meeting rooms.



Wide-Range 1.6x Zoom

The wide-range 1.6x zoom lens lets you project a 100" image from as close as 2.4 meters from the screen, to as far away as 3.8 meters. That makes it a lot easier to find suitable places to set the projector up.

Throw distance comparison image



High-Speed Wireless Image and Audio Transfer

PLC-XU115

A newly developed image / audio processor and new algorithm application achieve high-speed wireless image and audio transfer.

Networking Capability

PLC-XU115

The wireless interface is compatible with IEEE 802.11b/g standards, offering transfer speeds up to 54 Mbps and providing WEP/ WPA/ WPA2 security.

Supported Operating Systems:

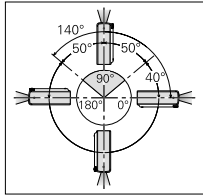
Microsoft Windows 2000, Windows XP, Windows Vista (32-bit version), or Mac OS X v10.4 or later*

* Not all functions are available with the Mac OS.

360-Degree Tilt Angle

The PLC-XU115/ XU105 can project images while they are tilted 360 degrees around their horizontal axis in either direction - for more flexible setup.

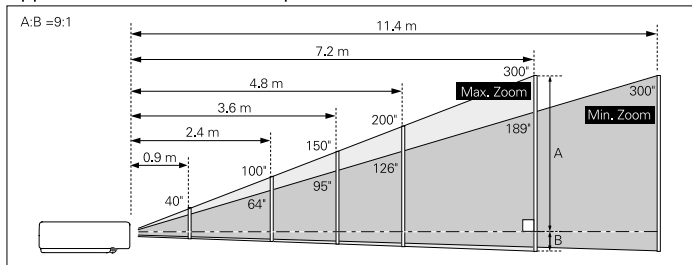
NOTE: Be sure to set the lamp control to High and the fan control to MAX in the setting menu when the projector is inclined between +40 degrees and +140 degrees to the horizontal plane.



Other Features

- SD Card viewer (PLC-XU115)
- PJ Link compatibility (PLC-XU115)
- Auto Keystone Correction
- 16-Language on-screen menu
- Custom startup logo
- User logo (screen capture)
- No show
- Freeze
- Presentation timer

Approximate throw distance/ picture size (1.6x zoom)



Screen Size (W x H) mm	40"	100"	150"	200"	300"
4 : 3 aspect ratio	813 x 610	2032 x 1524	3048 x 2286	4064 x 3048	6096 x 4572
Zoom (min)	1.5m	3.8 m	5.7 m	7.6 m	11.4m
Zoom (max)	0.9m	2.4 m	3.6 m	4.8 m	7.2 m



All products manufactured by the Projector Division of SANYO's Digital System Company employ a quality management system that has undergone the inspection and registration process of the ISO 9001:2000 international standard.

Specifications

Model name	PLC-XU115	PLC-XU105
Panel	0.8 inch TFT p-Si x 3 with Micro Lens	
No. of pixels	2,359,296 (1024 x 768 dots) x 3	
Projection lamp	275 W	
Brightness (typical)	4500 lm (Lamp mode "High")	
Contrast	500:1 (Lamp mode "AUTO" & "Dynamic mode")	
Uniformity	85 % (corner to center)	
Projection lens	F1.7 - 2.5, f=19.2 ~ 30.2 mm	
Screen size	40" ~ 300"	
Throw distance	0.9 m (wide) ~ 11.4 m (tele), 100" at 2.4 ~ 3.8 m	
Zoom / Focus	1:1.6 Manual driven U:D = 9 : 1	
SD / HDTV signals	480i, 480p, 575i, 575p, 720p, 1035i and 1080i	
Color systems	PAL / SECAM / NTSC / NTSC4.43 / PAL-M/N	
Video signal	Composite, S-Video, D-sub 15pin for Component	
Video terminal	RCA : Composite Video, Mini-DIN 4-pin : S-Video	
Computer compatibility	UXGA/ WXGA/ SXGA+/ SXGA/ XGA/ SVGA/ VGA/ MAC ... Analog	
Computer terminal	DVI-I & Dsub-15 for Input, D-sub15 for Monitor Out	D-sub15 x 2 for Input, D-sub15 for Monitor Out
Audio	RCA (L/ R) for Video Input Mini-Jack (Stereo) for Computer Input Mini-Jack (Stereo) for Output (variable)	
Communication terminal	Service Port (RS-232C), USB type B, R/ C Jack	Service Port (RS-232C)
Presentation tool	Freeze / Digital Zoom / No Show / Page Up-Down / etc	
Other features	Progressive, 3-2 & 2-2 pull down, LTI & CTI, User Logo Security : PIN code lock, Key lock	
Scanning frequency	H / V sync - 100 kHz, - 100 Hz Dot clock 140 MHz	
Sound output	1.0 W Mono	
Voltage	100 V - 240 V AC (auto voltage)	
Power consumption	354 W / 16 W	351 W / 12 W
Dimensions (W x H x D)	334.0 x 78.4 x 257.5 mm (not including protruding parts)	
Weight	3.6 kg	3.5 kg
Included accessories	Quick setup manual, CD-ROM read me note, UL cable card, PIN code label, Computer cable (Dsub15-Dsub15), Serial control cable (Mini DIN8-Dsub9), Power cord (Detachable), Remote control, User's manual (CD-ROM), Soft carrying bag, Strap for lens cap, Lens cap	
	CD-ROM (Application software for Network), AAA Battery x 2	AA Battery x 2

* Design of the products and specifications are subject to change without notice.

PLC-XU115

Terminals



Remote control



PLC-XU105

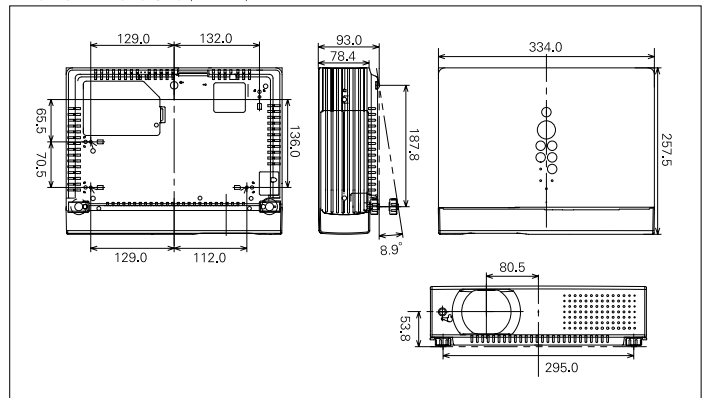
Terminals



Remote control



External dimensions (unit: mm)



SANYO's Digital System Company has received ISO 14001 certification for the environmental management system used in its factory.



Pixelworks ICs are used in this projector

<http://www.sanyo-lcdp.com/english/>

Caution: Please consult the instruction manual to ensure safe and proper operation of the product.

Distributed by:

SANYO