

Think GAIA
For Life and the Earth

SANYO

Ultra-Short Focus Projector

PLC-XL45

Enables Space-Saving
Projection.

Powerful Solution for
Classrooms & Business

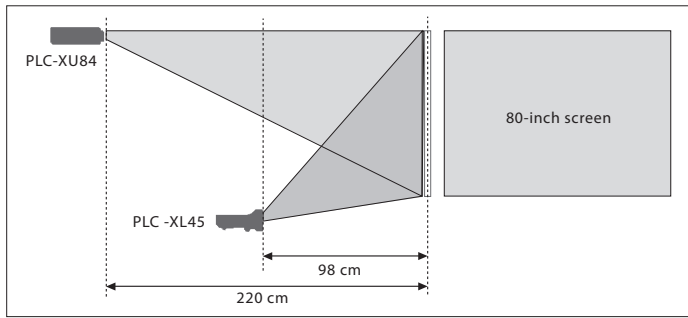


Brightness of 2,000 lumens



Projection from about 1 meter away, with the short focal length lens.

The PLC-XL45 can project a full 80-inch image from a distance of only 98 cm. Teachers can project images onto the blackboard right from their desk. This means they can use large images even in relatively small rooms.



Space-saving design.

The use of a short-throw lens makes it possible to move the projector from the center of the classroom or meeting room, to a spot closer to the screen. This frees up more room space, and cuts down on the possibility of viewers blocking the image with their shadows.

Easy Off Function

You can disconnect the power cord as soon as the power is turned off.

On-Start Function

The power turns on as soon as you connect the power cord. No need to press any buttons on the remote control or projector.

Blackboard Mode

In classrooms and other places where there is no screen available, images can be projected onto the blackboard. This enables quick response when making lesson changes or calling a quick meeting.

Note: The colors of images projected onto a blackboard may vary from those of the original input signal.

Other Features

- Complete security functions: Locked operation for projector and remote control buttons, and a password to prevent operation and projection-logo changes.
- Versatile presentation support functions: Presentation timer, freeze, no show.
- Undistorted images: Vertical keystone correction (20 degrees vertical correction).

Terminals



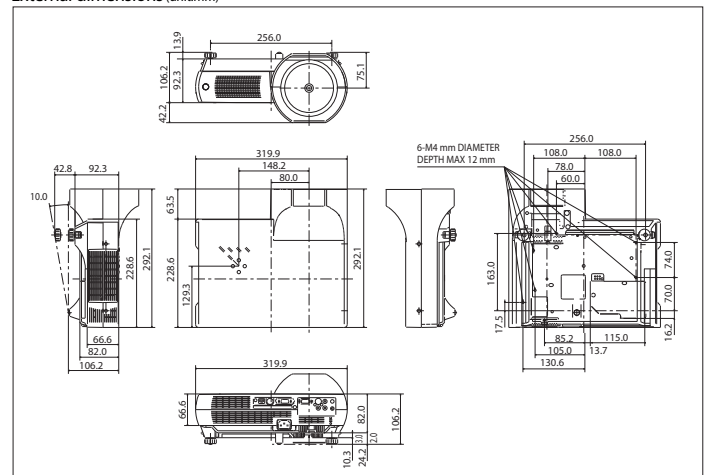
Specifications

Model number	PLC-XL45	
System	3-color LCD shutter projection system	
Optics	Dichroic mirror separation/prism synthesis	
LCD panel	Size	0.63-inch panel x 3, aspect ratio 4:3
	Drive system	Polysilicon active matrix TFT
	Number of pixels	786,432 (1,024 x 768) x 3, total of 2,359,296
Configuration	Stripe	
Lens	Manual focus, F 1.8, f=8.1 mm, fixed focus	
Lamp	200W UHP	
Projection size	60 to 80 inches diagonally	
Throw distance	0.73 to 0.98 m	
Color reproduction	Full color (16.77 million colors)	
Brightness*1	2,000 lumens	
Uniformity*1	80%	
Speaker	1 W, (Mono)	
Scanning frequency	fH: 15-100 kHz, fV: 50-100 Hz	
HDTV signals	480i, 480p, 575i, 575p, 720p, 1035i and 1080i	
Color systems	PAL / SECAM / NTSC / NTSC4.43 / PAL-M/N	
Video signal	Composite, S-Video, D-sub 15 pin for Component	
Video terminals	RCA : Video Mini-DIN 4-pin : S-Video	
Computer compatibility	UXGA / WXGA / SXGA / XGA / SVGA / VGA / MAC	
Computer terminals	D-sub 15 pin for input (x 1) : RGB / Component D-sub 15 pin for input or Monitor out (x 1) : RGB	
Audio	RCA (L/R) for Video input Mini-Jack (Stereo) for Computer input Mini-Jack (Stereo) for output (variable)	
Communication	Mini-DIN 8-pin : Service Port (RS-232C) USB type B	
Operating temperature	5-35C	
Power supply	AC 100-240 V, 50/60 Hz, auto voltage	
Power consumption	275/ 230 W (9 W)	
Dimensions (W x H x D)	319.9 x 148.0 x 292.1 mm	
Weight	3.2 kg	
Standard accessories	Detachable AC power cord (3 m, x 1), wireless remote control (x 1), AA-size dry batteries (x 2) supplied, Lens Cover with String (x 1), D-sub cable (x 1), PIN code label (x 1), owner's manual (CD-ROM x 1), Quick set up manual (x 1)	

*1 The figures are averages of all products at the time of shipment, and are indicated in accordance with JIS X6911:2003 Data Projector Specifications Format. The measurement method and conditions are described in Appendix 2.

Product appearance and specifications are subject to change without notice. All brands, company names, and product names are trademarks or registered trademarks of their respective holder.

External dimensions (unit:mm)



All products manufactured by the Projector Integrated Business Unit of SANYO's DI Company employ a quality management system that has undergone the inspection and registration process of the ISO 9001:2000 international standard.



SANYO's DI Company has received ISO 14001 certification for the environmental management system used in its factory.



Pixelworks ICs are used in this projector

<http://www.sanyo-lcdp.com/english/>

Caution: Please consult the instruction manual to ensure safe and proper operation of the product.

Distributed by:

SANYO

SANYO Electric Co., Ltd.
DI company

©2007 SANYO Printed in Japan 2007.11 SL
SML096