

\Orchestrating a brighter world

NEC

A multipurpose professional LCD projector
for business and education

**P554U / P474U / P554W
P474W / P604X / P603X / PE523X**



HDBT™
ASE

ProSelecta

View :: Compare :: Select - www.ProSelecta.com

Hold successful in meetings and classes with high resolution and high performance through NEC LCD projectors

High Resolution up to WUXGA*

* P554U/P474U

High resolution display - up to WUXGA compatible, WUXGA (P554U/P474U) / WXGA (P554W/P474W) and XGA (P604X/P603X/PE523X) native resolution. An image with higher or lower resolution than the projector's native resolution (P554W/P474W: 1,280 × 800 / P604X/P603X/PE523X: 1,024 × 768) is displayed with Advanced AccuBlend.

Low TCO - Improved a Power Consumption and Longer Lamp Life

Select from Four Lamp Modes for Suitable Usage

ECO MODE (NORMAL and ECO) increases lamp life up to 8,000 hours, lowering power consumption and cutting down on CO₂ emissions. There are four brightness modes: "OFF", "AUTO ECO", "NORMAL" and "ECO" modes.

[ECO MODE]	Description
[OFF]	Lamp brightness is 100%.
[AUTO ECO]	Lamp power consumption is controlled between [OFF] and [NORMAL] automatically according to picture level NOTE: A bright gradation may be less visible depending on the image.
[NORMAL]	Lamp power consumption: approx. 80% brightness on P554U/P554W/P604X/P603X and approx. 86% on P474U/P474W/PE523X The lamp life is extended by lowering the lamp power.
[ECO]	Lamp power consumption: approx. 60% brightness on P554U/P554W/P604X/P603X and approx. 65% on P474U/P474W/PE523X The lamp life is longer than with NORMAL mode because power is controlled appropriately for the lamp. The maximum power is equivalent to power in NORMAL mode.

Carbon Meter

The amount of CO₂ emission reduction is displayed in the confirmation message when the power is switched off and in the INFO section of the on-screen menu.



Energy Saving Technology

Selecting "NORMAL" for "STANDBY MODE" from the menu puts the projector in power-saving mode that consumes only 0.14 W* (100 – 130 V AC) / 0.17 W** (200 – 240 V AC) in "STANDBY MODE".

* P554W/P474W/P604X/P603X/PE523X: 0.16W ** P554W/P474W/P604X/P603X/PE523X: 0.2W

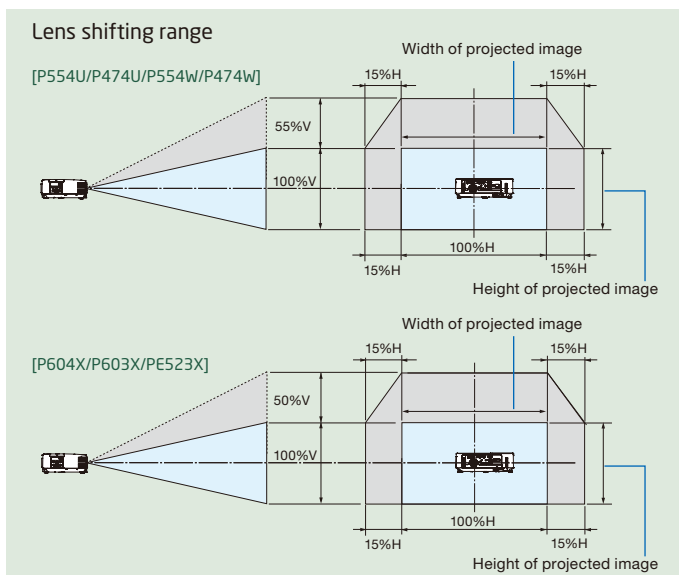
Easy Installation by Keystone Correction, Lens Shift and 1.7x Optical Zoom*

* P554W/P474W/P604X/P603X/PE523X, P554U/P474U are 1.6x optical zoom

Easily Adjustment of the Position of the Projected Image

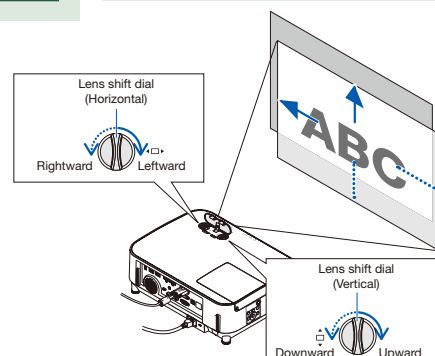
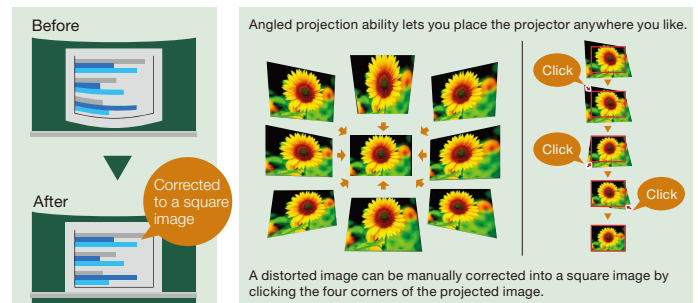
A vertical and horizontal lens shift mechanism offers installation flexibility. Manual lens shift can be adjusted by turning the dials on the top of the projector. The wide 1.7x optical zoom*, horizontal/vertical lens shift and keystone correction allow flexible settings in various locations.

* P554W/P474W/P604X/P603X/PE523X, P554U/P474U are 1.6x optical zoom



Cornerstone and Pincushion Correction Function

Cornerstone uses 4-point corner to correct keystone distortion Pincushion correction is available for curved boards.



Quick and Auto Function for Ease of Use

Quick Start, Quick Power Off and Direct Power Off

Six seconds*¹ after turning on the power, the projector is ready to display PC or video images. The projector can be put away immediately after the projector is powered down. The "Direct Power Off" feature allows the projector to be turned off (even when projecting an image) by using the main power switch or disconnecting the AC power supply.

* To turn off the AC power supply when the projector is powered on, use a power strip equipped with a switch and a breaker.
¹ The quick start time is available when [STANDBY MODE] is set to [NETWORK STANDBY] in the on-screen menu.

Auto Power On and Auto Power Off

The DIRECT POWER ON, AUTO POWER ON, AUTO POWER OFF, and OFF TIMER features eliminate the need to always use the POWER button on the remote control or projector cabinet. Auto power-on via the HDMI 1, HDMI 2 and COMPUTER input terminals occurs when a signal is detected from a computer. Power management automatically turns off the projector when an incoming signal is not detected from any of the inputs. An off-timer can be set to automatically turn off the projector at set countdown times.

A variety of Input/Output Terminals Including HDMI, HDBaseT* and Network Function

Built-in HDBaseT Support*

Simplify your installations with HDBaseT, which is optimised for video applications and supports uncompressed Full HD digital video, audio and various control signals. With only a single cable (up to 100 m) to run, infrastructure and labour costs are reduced, installations are significantly easier, and there is no cable clutter to manage. With uncompressed HD video support, images have never been more stunning. What is more, the control signals are contained in the same cable.



Dual HDMI Inputs

Among the P554U series' wide selection of inputs is HDMI with HDCP for connecting to high-definition sources such as Blu-ray players, cable boxes, satellite receivers and personal computers.

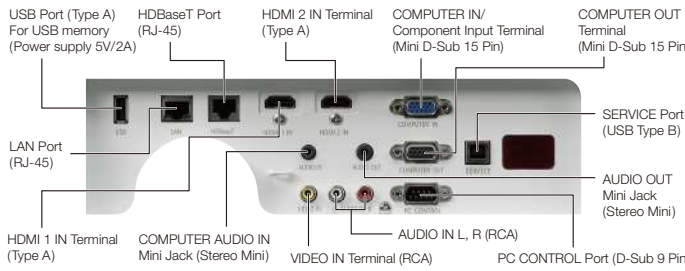


Wired / Wireless LAN Control Support

Thanks to the integrated LAN port (RJ-45), you can connect the projector with wired LAN and control it from a computer. Control can also be carried out via wireless LAN by installing the optional wireless LAN unit (NP05LM series) to this projector.

* Since image transfer is not supported, the optional MultiPresenter Stick is needed to transfer images. No additional power source is needed as the stick is powered via the USB port.

Terminals (P554U/P474U/P554W/P474W/P604X)



Convenient Utility Software (User Support Software)

Support of NaViSet Administrator 2, Virtual Remote Tool

NaViSet Administrator 2 helps you control the projector by a computer via wired LAN connection. Virtual Remote Tool helps you perform operations by a virtual remote control such as switching the power on or off and selecting a signal for the projector via a wired LAN connection. Moreover, it can send an image to the projector and register it as the logo data.

Please visit our web site to download each software product. URL: <http://www.nec-display.com/dl/en/index.html>



Other Useful Functions and Features

- Remote control with Control ID
 - The supplied remote control allows you to assign a CONTROL ID to the projector.
 - The included remote control has a control ID registration function, which allows operation of multiple projectors with a single remote.
- CRESTRON ROOMVIEW and Extron XTP compatibility
 - The projector supports CRESTRON ROOMVIEW and Extron XTP, allowing multiple devices connected to a network to be managed and controlled from a computer
 - Moreover, it enables output and control of an image via an Extron XTP transmitter connected to the projector.
- Wall colour correction for vivid images even without a screen
- DICOM simulation
- Security bar / Kensington lock / control panel lock and password lock

- USB port for viewer function
- No-signal guidance is available for easy cable connections.
- A powerful 20 watt monaural speaker provides the volume needed for large rooms.



P554U 5,300 lumens 5,600 centre lumens WUXGA 4.8kg	P474U 4,700 lumens 5,000 centre lumens WUXGA 4.8kg	P554W 5,500 lumens 6,000 centre lumens WXGA 4.7kg
P474W 4,700 lumens 5,200 centre lumens WXGA 4.7kg	P604X 6,000 lumens 6,300 centre lumens XGA 4.7kg	P603X 6,000 lumens 6,300 centre lumens XGA 4.7kg
		PE523X 5,200 lumens 5,500 centre lumens XGA 4.7kg

Specifications

Model	NP-P554U	NP-P474U	NP-P554W	NP-P474W	NP-P604X	NP-P603X	NP-PE523X
Method	Three primary colour liquid crystal shutter projection						
Specifications of main parts							
Liquid crystal panel	Size	0.64" (with MLA) × 3 (aspect ratio: 16:10)			0.63" (with MLA) × 3 (aspect ratio: 4:3)		
	Pixels*1	2,304,000 (1,920 dots × 1,200 lines)			786,432 (1,024 dots × 768 lines)		
Projection lenses	Zoom	Manual (zoom ratio 1.6)					
	Focus	Manual					
	Throw ratio	1.2 - 2.0			1.2 - 2.1		
	F-number Focus length	F = 1.50 to 2.08 f = 17.2 to 27.7 mm			F = 1.7 to 2.2 f = 17.4 to 29.0 mm		
	Lens shifting	Manual (V = 0 - 55% / H = ±15%)					
Lamp wattage*2	330 W AC	305 W AC	330 W AC	305 W AC	330 W AC	305 W AC	
Light source (Lamp) life*3	ECO mode OFF	4,000 H					
	Normal ECO mode	6,000 H					
	ECO mode	8,000 H					
Light output*4*5	ECO mode OFF	5,300 lumens	4,700 lumens	5,500 lumens	4,700 lumens	6,000 lumens	5,200 lumens
	Normal ECO mode	Approx. 80%	Approx. 86%	Approx. 80%	Approx. 86%	Approx. 80%	Approx. 86%
	ECO mode	Approx. 60%	Approx. 65%	Approx. 60%	Approx. 65%	Approx. 60%	Approx. 65%
	Centre lumen (ECO mode OFF)*6	5,600 lumens	5,000 lumens	6,000 lumens	5,200 lumens	6,300 lumens	5,500 lumens
	Contrast ratio*4*5 (all white / all black)	20,000 : 1 with Iris & LAMP Power	18,000 : 1 with Iris & LAMP Power	20,000 : 1 with Iris & LAMP Power	18,000 : 1 with Iris & LAMP Power	20,000 : 1 with Iris & LAMP Power	18,000 : 1 with Iris & LAMP Power
Screen size (throw distance) (Performance guarantee range)	30" to 300" (40" to 200")						
Colour reproducibility	10-bit colour processing (approx. 1.07 billion colours)						
Quietness (ECO / Normal ECO / ECO mode off)	34 dB / 34 dB / 37 dB						
Synchronization rate	Horizontal	15 kHz to 100 kHz (24 kHz or greater for RGB inputs)					
	Vertical	50 to 120 Hz (HDMI: 50 Hz to 85 Hz)					
Maximum resolution (horizontal × vertical)	Up to WUXGA (1,920 × 1,200) with Advanced AccuBlend						
Keystone Correction	Horizontal	Manual, Approx. ± 20 Max degrees					
	Vertical	Manual, Approx. ± 30 Max degrees					
Input / output connectors							
Computer / Component	Input	Mini D-Sub 15-pin × 1					
	Output	Mini D-Sub 15-pin × 1					
	Audio input	Stereo mini jack × 1					
HDMI	Video input	Type A HDMI connector 19-pin × 2, Support HDCP*7					
	Audio input	Yes					
HDBaseT	Video input	RJ45 × 1, Support Deep Colour (colour depth): 8bits, 10bits, 12bits, Colourimetry Support: RGB, YCbCr444, YCbCr422				Non-support	
	Audio input	Yes					
Video	input	RCA × 1					
	Audio input	RCA × 2 (L/R)					
Wired LAN Port	RJ-45 (100Base-TX / 10Base-T) × 1 (Control support only)						
Wireless LAN Port (Optional)	IEEE 802.11 b/g/n (optional USB Wireless LAN Unit required) (Control support only)						
PC control connector	D-Sub 9-pin × 1						
USB port	Type A for USB memory and for supply of power (5V/2A) to the MultiPresenter Stick × 1, Type B for service × 1						
Built-In Speaker	20 W monaural × 1						
Usage environment							
Operating temperature: 5 to 40°C, Operating humidity: 20 to 80 % (with no condensation) (ECO mode selected automatically at 35°C to 40°C)							
Storage temperature: -10 to 50°C, Storage humidity: 20 to 80 % (with no condensation)							
Operating altitude: 0 to 2,700 m (1,700 to 2,700 m: Set [FAN MODE] to [HIGH ALTITUDE])							
Power supply							
Power consumption	ECO mode OFF	457 W (100 - 130 V)	424 W (100 - 130 V)	448 W (100 - 130 V)	418 W (100 - 130 V)	448 W (100 - 130 V)	410 W (100-130 V)
	Normal ECO mode	431 W (200 - 240 V)	405 W (200 - 240 V)	422 W (200 - 240 V)	395 W (200 - 240 V)	422 W (200 - 240 V)	388 W (200-240 V)
	ECO mode	364 W (100 - 130 V)	350 W (200 - 240 V)	361 W (100 - 130 V)	343 W (200 - 240 V)	347 W (100-130 V)	334 W (200-240 V)
	STANDBY (NETWORK)*8	286 W (100 - 130 V)	277 W (200 - 240 V)	280 W (100 - 130 V)	267 W (200 - 240 V)	273 W (100-130 V)	258 W (200-240 V)
	STANDBY (NORMAL)	2.0 W (100 - 130 V)	2.0 W (100 - 130 V)	2.0 W (100 - 130 V)	2.0 W (100 - 130 V)	2.0 W (100 - 130 V)	2.0 W (100 - 130 V)
	Rated input current	5.0 A*9 - 2.0 A*10	4.7 A*9 - 1.9 A*10	5.0 A*9 - 1.9 A*10	4.7 A*9 - 1.8 A*10	5.0 A*9 - 1.9 A*10	4.7 A*9 - 1.8 A*10
	Dimensions (W × H × D)	420 × 133 × 322 mm (Net dimensions, not including protruding parts), 478 × 233 × 390 mm (Gross dimensions)					
Weight	4.8 kg, 6.5 kg (Gross weight) 4.7 kg, 6.4 kg (Gross weight)						

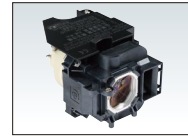
*1: Effective pixels are more than 99.9%. *2: Wattage when ECO mode is OFF. *3: Time at which the light source is at half brightness; not a guarantee time. *4: This is the light output value (lumens) when the [PRESET] mode is set to [HIGH-BRIGHT]. In other modes, the light output value may drop slightly. *5: Compliant with ISO21118-2012 *6: Measured at center area of projector screen. *7: If you are unable to view material via the HDMI input, this does not necessarily mean the projector is not functioning properly. With the implementation of HDCP, there may be cases in which certain content is protected with HDCP and might not be displayed due to the decision or intention of the HDCP community. (Digital Content Protection, LLC). Video: Deep Colour; 8/10/12-bit, LipSync Audio: LPCM; up to 2 ch, sample rate 32/44.1/48 KHz, sample bit; 16/20/24-bit *8: Internal measured value. All wired network ports are connected and active. *9: 100 V - 130 V AC *10: 200 V - 240 V AC
 • These specifications and the product's design are subject to change without notice.

Remote control



(included accessory)

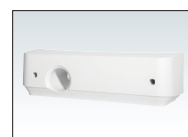
Options



Replacement lamp
NP44LP



Wireless LAN unit
NP05LM1-5*
(Control support only)



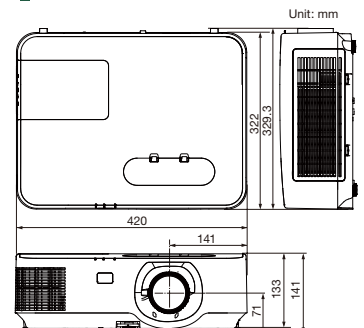
Cable Cover
NP12CV



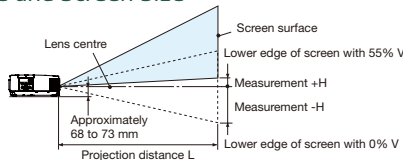
MultiPresenter Stick
DS1-MP10RX*

* Make sure to choose the appropriate MultiPresenter Stick for the usage country or area by visiting our website. (http://www.nec-display.com/ap/en_display/mp10rx/index.html)

Cabinet dimensions

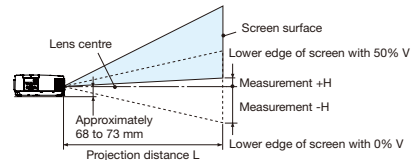


Throwing Distance and Screen Size



NP-P554U / NP-P474U (WUXGA)

Screen Size (W × H m)	Throwing Distance (m)	Wide	Tele	Bottom Height (cm)
30" (0.86 × 0.54 m)	0.75	1.25	-20.2 - +2.0	
40" (1.02 × 0.61 m)	1.02	1.68	-26.9 - +2.7	
60" (1.29 × 0.80 m)	1.55	2.54	-40.4 - +4.0	
80" (1.72 × 1.08 m)	2.09	3.40	-53.8 - +5.4	
100" (2.15 × 1.35 m)	2.62	4.26	-67.3 - +6.7	
120" (2.59 × 1.62 m)	3.15	5.12	-80.8 - +8.0	
150" (3.23 × 2.02 m)	3.95	6.42	-101.0 - +10.1	
180" (3.88 × 2.42 m)	4.75	7.71	-121.2 - +12.1	
200" (4.31 × 2.69 m)	5.29	8.57	-134.6 - +13.5	
240" (5.17 × 3.23 m)	6.35	10.29	-161.5 - +16.2	
300" (6.46 × 4.04 m)	7.95	12.88	-201.9 - +20.2	



NP-P554W / NP-P474W (WXGA)

Screen Size (W × H m)	Throwing Distance (m)	Wide	Tele	Bottom Height (cm)
30" (0.86 × 0.40 m)	0.74	1.28	-20.2 - +2.0	
40" (0.86 × 0.54 m)	1.01	1.73	-26.9 - +2.7	
60" (1.29 × 0.80 m)	1.55	2.63	-40.4 - +4.0	
80" (1.72 × 1.08 m)	2.10	3.53	-53.8 - +5.4	
100" (2.15 × 1.35 m)	2.64	4.44	-67.3 - +6.7	
120" (2.59 × 1.62 m)	3.18	5.34	-80.8 - +8.0	
150" (3.23 × 2.02 m)	4.00	6.69	-101.0 - +10.1	
180" (3.88 × 2.42 m)	4.82	8.05	-121.2 - +12.1	
200" (4.31 × 2.69 m)	5.36	8.95	-134.6 - +13.5	
240" (5.17 × 3.23 m)	6.45	10.76	-161.5 - +16.2	
300" (6.46 × 4.04 m)	8.08	13.46	-201.9 - +20.2	

NP-P604X / NP-P603X / NP-PE523X (XGA)

Screen Size (W × H m)	Throwing Distance (m)	Wide	Tele	Bottom Height (cm)
30" (0.61 × 0.46 m)	0.75	1.31	-22.9 - 0	
40" (0.81 × 0.61 m)	1.03	1.77	-30.5 - 0	
60" (1.22 × 0.91 m)	1.59	2.69	-45.7 - 0	
80" (1.63 × 1.22 m)	2.15	3.61	-61.0 - 0	
100" (2.03 × 1.52 m)	2.70	4.54	-76.2 - 0	
120" (2.44 × 1.83 m)	3.26	5.46	-91.4 - 0	
150" (3.05 × 2.29 m)	4.09	6.84	-114.3 - 0	
180" (3.66 × 2.74 m)	4.93	8.23	-137.2 - 0	
200" (4.06 × 3.05 m)	5.48	9.15	-152.4 - 0	
240" (4.88 × 3.66 m)	6.59	11.00	-182.9 - 0	
300" (6.10 × 4.57 m)	8.26	13.77	-228.6 - 0	

*Stated projection distances are standard values from lens or mirror surface to screen centre. *The values in the table are design values and may vary.



- Do not stare into the lens during use.
- The projector can be unplugged immediately after it is turned off. Parts of the projector become heated during operation. Use caution when picking up the projector immediately after it has been operating.

MultiPresenter, NaVSet, CARBON METER are trademarks or registered trademarks of NEC Display Solutions, Ltd. in Japan and other countries. The terms HDMI and HDMI High-Definition Multimedia Interface, and the HDMI Logo are trademarks or registered trademarks of HDMI Licensing Administrator, Inc. in the United States and other countries. HDBaseT and HDBaseT Alliance logo are trademarks of HDBaseT Alliance. CRESTRON and CRESTRON ROOMVIEW are trademarks or registered trademarks of Crestron Electronics, Inc. in the United States and other countries. Extron and XTP are trademarks or registered trademarks of RGB Systems, Inc. in the United States and other countries. All other trademarks are the property of their respective owners. The images in this brochure are samples. All rights reserved. All specifications are subject to change without notice. March 2018

