

The entry model,  
that's a sheer delight to use.



**SVGA**

**SD110R**  
MOBILE SVGA PROJECTOR



**4000h**  
Long Life Lamp  
with lamp low mode

**1700lm**  
Brightness

**2000:1**  
Contrast



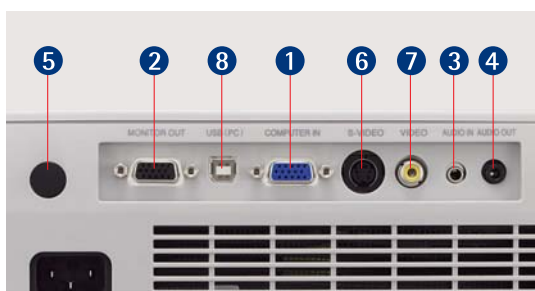


# SD110R

MOBILE SVGA PROJECTOR



## Input and Output Terminals



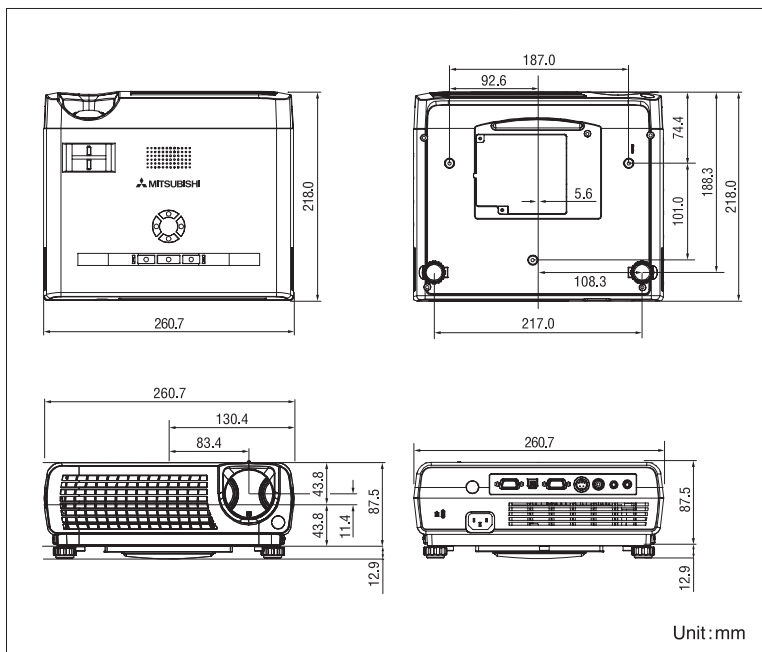
- 1 RGB In × 1
- 2 RGB Out × 1
- 3 Audio In
- 4 Audio Out
- 5 Remote IR
- 6 S-Video
- 7 Composite Video
- 8 USB

## Specifications

Model	SD110R
Display technology	0.55"1-chip DMD, 12deg.DDR, DDP2000
Resolution	800 × 600 (total 480,000 pixels), 500video lines
Brightness	1700lm (Lamp Low Mode 1250lm)
Contrast	2000 : 1
Picture Size	40" ~ 300" (100" = 3.2m)
Source lamp	160W (Shut Off Time 4000Hrs) with Low Mode 200W (Shut Off Time 2000Hrs)
Computer compatibility	VGA ~ XGA (640 × 480 ~ 1024 × 768), True: 800 × 600, Sync on green available
Video compatibility	NTSC / NTSC 4.43 / PAL (including PAL-M, N) / SECAM / PAL-60 Component Video; 480i/p(525i/p), 576i/p(625i/p), 720p(750p), 1080i(1125i 60Hz), 1080i(1125i 50Hz), [1080i(1250i 50Hz) is not available]
PC input terminals	RGB: mini D-sub 15pin × 1 Audio (with video) : Stereo mini jack (ø 3.5 mm) × 1
Video input terminals	Video: RCA × 1 + S - video × 1
Output terminals	RGB: mini D-sub 15pin × 1, Audio: Stereo mini jack (ø 3.5 mm) × 1
Communication terminals	USB terminal for Page Up / Down
Audio speaker	2W mono
Fan noise	29dBA (Lamp Low Mode)
Dimension (W × H × D)	261 × 87 × 218 mm (excluding height adjustment)
Weight	2.4kg / 5.3lbs
Power supply	AC100 - 240V, 50 / 60Hz
Optional lamp	VLT-XD110LP

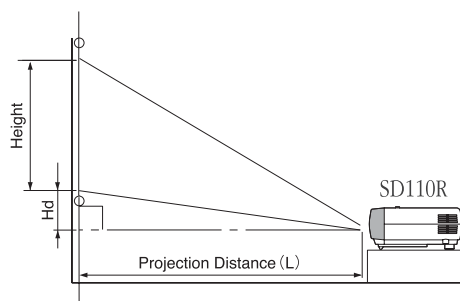
\*SXGA, XGA and VGA are registered trademarks of IBM Corporation. \*All brand names and product names are trademarks, registered trademarks or trade names of their respective holders.  
\*DLP (Digital Light Processing) is a trademark of Texas Instruments.

## Dimensions



## Screen size and Projection distance

As seen from the side



Screen size chart (4:3 aspect ratio)

Screen		Distance from screen (L)				Height projected image (Hd)		
Diagonal size	Width (W)	Height (H)	Maximum Zoom	Minimum Zoom				
inch	cm	inch	cm	inch	m	inch	cm	
40	102	32	81	24	61	1.5	3.5	8.8
60	152	48	122	36	91	2.3	5.2	13.3
80	203	64	163	48	122	3.1	7.0	17.7
100	254	80	203	60	152	3.8	8.7	22.1
150	381	120	305	90	229	5.8	13.1	33.2
200	508	160	406	120	305	7.7	17.4	44.2
250	635	200	508	150	381	9.6	21.8	55.3
300	762	240	610	180	457	—	—	66.3

The above numbers are approximate, and may be slightly different from the actual measurements.

**MITSUBISHI ELECTRIC CORPORATION**  
HEAD OFFICE: TOKYO BLDG., 2-7-3, MARUNOUCHI, CHIYODA-KU, TOKYO 100-8310, JAPAN

To find out more about SD110R and our projectors, visit us at

[Global.MitsubishiElectric.com/projectors/](http://Global.MitsubishiElectric.com/projectors/)