

MULTIMEDIA MOBILE LCD PROJECTORS 2 SERIES

CP-S225
CP-X275

HITACHI
Inspire the Next

Compact projectors that deliver bright,
high quality images for
professional presentations anywhere.

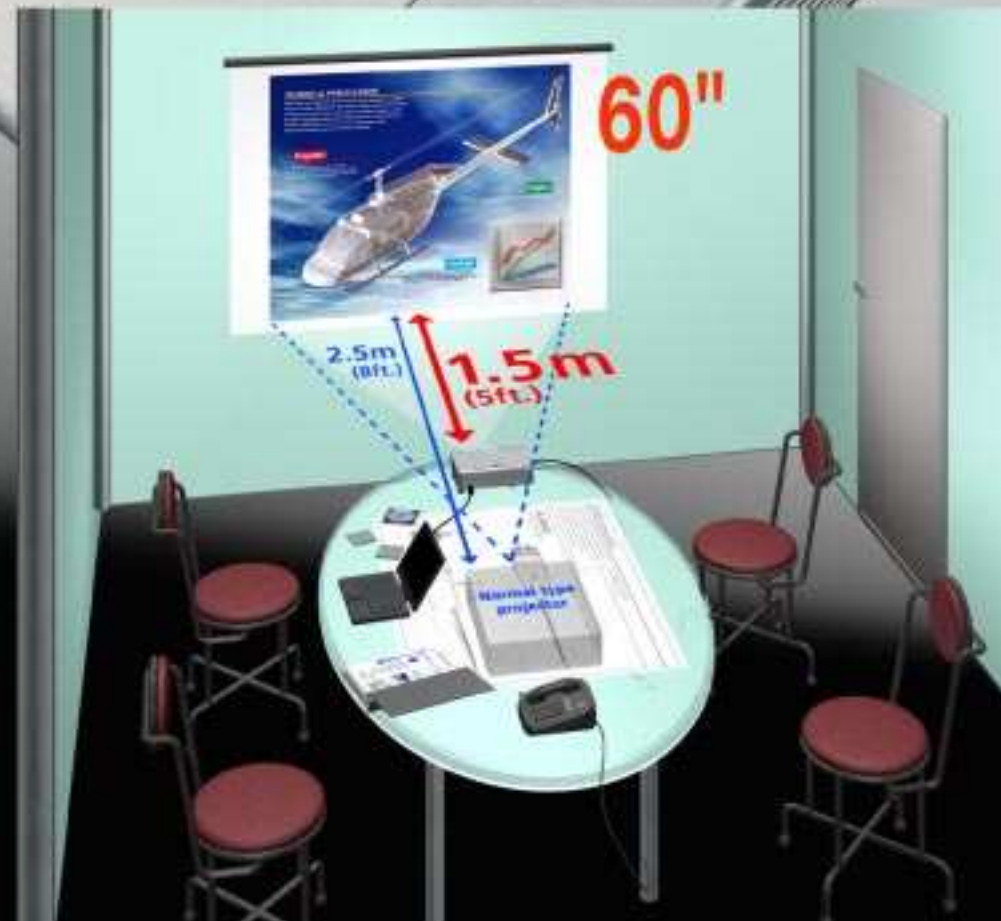


2 SERIES
MULTIMEDIA PROJECTORS

For Superior Presentations, No Matter Where You Are.

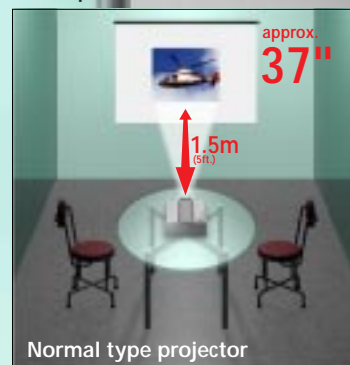
Super Wide Angle Lens Projects a Large 60" Image from a Distance of Only 1.5m.

No matter what the room size or layout, you'll have plenty of projection space. Thanks to a new aspheric surface lens, the 2 Series require only 1.5 meters to project a sharp, impressively large 60" image. Ordinary projectors produce only a 37" image at this distance. And at just 2.4m, you'll enjoy a super-wide 100" image! Now room size is no longer an obstacle to effective presentations.



Put the projector near the screen — convenient presentations even in limited space.

Perform large-screen presentations even where space is restricted!



High Brightness and High Resolution in a Compact Body.

Bright 1,400* ANSI Lumens Output

Thanks to the use of Hitachi's 0.7" polysilicon active matrix TFT panel and 150W UHB lamp, this small projector delivers an extremely high brightness of 1,400 ANSI lumens. Images will be clearly visible even in bright rooms. *CP-X275: 1,200 ANSI Lumens; CP-S225: 1,400 ANSI Lumens

Fine Re-Sizing* and True XGA (CP-X275)/True SVGA (CP-S225)

Compact size but big performance: you get high-resolution, true XGA (CP-X275)/true SVGA (CP-S225) compatibility. A Fine Re-Sizing function also improves quality, by automatically performing data loss compensation during playback of various inputs, so images look sharp and natural. *CP-X275: UXGA/SXGA/SVGA/VGA; CP-S225: SXGA/XGA/VGA

Ultra-Compact, Ultra-Slim and Ultra-Lightweight

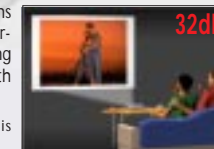
The 2 Series use small 0.7" polysilicon LCD panels, allowing the main unit to be extremely compact. Dimensions (WxHxD, excl. protruding part) are 289 x 60 x 210mm (11-3/8" x 2-3/8" x 8-1/4") and the weight is only 2.4kg (5 lbs.), so you can easily carry these projectors around with you.

High Quality Video Image plus Quiet Operation.

32dB(CP-S225)/34dB(CP-X275) Whisper Mode for Extra-Low-Noise Operation

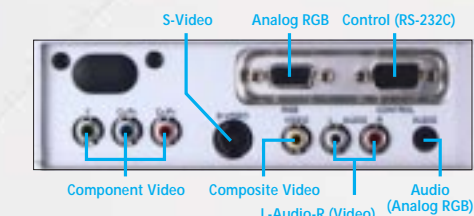
The 2 Series incorporate new Hitachi parts and technology that lowers noise to just 32dB/34dB in the Whisper Mode.* This gives you a choice depending on the situation: use the high-brightness Standard Mode (CP-X275: 1,200 ANSI Lumens; CP-S225: 1,400 ANSI lumens) for presentations in bright rooms and the super-quiet Whisper Mode for enjoying movies in darkened rooms with virtually no projector noise.

*Brightness in Whisper Mode is approximately 20% lower.



Component Video Input and HDTV Compatibility

In addition to RGB, composite and S-Video inputs, the projectors have terminals for component video input (RCA x 3), so you can use them to watch DVDs with exceptionally good quality. They are also HDTV compatible, letting you experience the beautifully realistic quality of these images on a large screen.



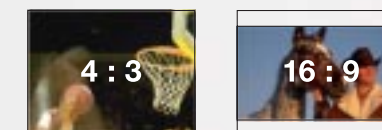
Excellent Video Quality

The video signal is processed digitally, resulting in better color reproduction, reduced noise and sharper video images.

Gamma Correction and Color Temperature Correction

There are three Gamma Correction modes: Normal, Cinema and Dynamic. The Cinema mode increases brightness to improve the clarity of low-level gradations, while the Dynamic mode improves the middle range. Color Temperature Correction has two modes, Normal and Warm; the new Warm mode greatly improves skin tones when watching DVDs on a PC.

16:9 and 4:3 Aspect Ratio Compatibility



Numerous Functions that Help Ensure Effective Presentations.

Direct Keystone Correction Button

Previously Keystone Correction (correcting distortion caused by screen and projector height difference) was adjusted from the remote control. In addition to the remote control adjustment, the 2 Series provide a button on the main unit, for more convenient one-touch adjustment.



4x Partial Magnification

A section of the screen can be blown up to four times its original size, and the operator can select the section to be expanded.



Freeze Function

You can prepare the next image while a still image is frozen on the screen, so presentations look more professional.

Illuminated Buttons

The buttons on the unit illuminate, so operation is easy even in dark rooms.



Sliding Lens Cover

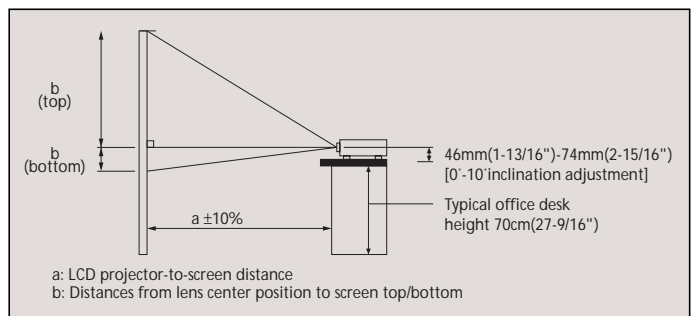
Provides added lens protection and easy operation.



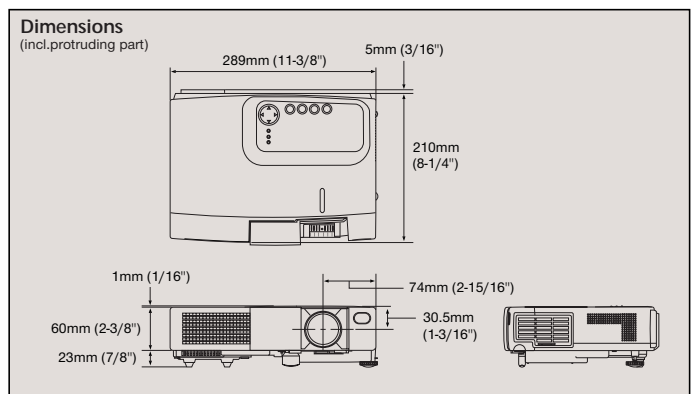
2 SERIES

Specifications		
Model name	CP-S225	CP-X275
Liquid crystal panel structure	0.7" polysilicon active-matrix TFT x 3 (CP-X275 with Micro-lens)	
Number of pixels	480,000 pixels (V600 x H800)	786,432 pixels (V768 x H1,024)
Resolution	800 x 600 color pixels	1,024 x 768 color pixels
Frequency	f _H [kHz]	15-80
	f _V [Hz]	50-120
Lens	Manual Zoom (F=2.0-2.3) 1 : 1.2	
Lamp	150W UHB	
Brightness	1,400 ANSI Lumens	1,200 ANSI Lumens
Speakers	1W x 1	
Power supply	AC100-120V/AC220-240V	
Power consumption	240W	
Operating temperature	0-35°C (32-95°F)	
Input signals	RGB input	VGA, SVGA, XGA, SXGA, MAC13", MAC16" VGA, SVGA, XGA, SXGA, UXGA, MAC13", MAC16"
	Video input	NTSC, NTSC4.43, PAL, PAL60, SECAM, M-PAL, N-PAL, SDTV/HDTV (480i, 575i, 480p, 1080i, 720p)
Terminals	Video input	S-Video: Mini DIN 4-pin terminal x 1 Composite video: RCA jack terminal x 1 Component video: RCA jack terminal x 3 Audio: RCA jack terminal x 2 (L/R)
	RGB input	Analog RGB: D-sub 15-pin shrink terminal x 1 Audio: Stereo mini jack x 1
	Control terminal	D-sub 15-pin shrink terminal x 1
Regulatory (Agency, Safety, EMI/RFI) approvals	UL60950/C-UL, FCC subpart B class B, CE approval, EN61000-3-2, EN61000-3-3, EN55022, EN55024, TUV EN60950, Low voltage directive	
Dimensions (WxHxD)	289 x 60 x 210mm (11-3/8" x 2-3/8" x 8-1/4") [excl. protruding part]	
Weight	2.4kg (5 lbs.)	
Standard accessories	Power cord, RGB cable, Video cable (for video/audio), Wireless remote control unit with battery, Soft carrying case, 11-language operator's manual, 11-language safety instructions	

*Design and specifications are subject to change without notice.
*The comparison photos in this catalog are simulations.



Screen Size (inch)	a Min	a Max	b (bottom)	b (top)
30	0.7m (28")	0.9m (34")	7cm (3")	39cm (15")
40	0.9m (37")	1.2m (46")	9cm (3")	52cm (21")
50	1.2m (47")	1.5m (58")	11cm (4")	65cm (26")
60	1.5m (59")	1.8m (69")	13cm (5")	78cm (31")
70	1.7m (67")	2.1m (81")	15cm (6")	91cm (36")
80	1.9m (77")	2.4m (93")	17cm (7")	105cm (41")
100	2.4m (96")	2.9m (116")	22cm (9")	131cm (51")
110	2.7m (106")	3.2m (128")	24cm (9")	144cm (57")
120	2.9m (116")	3.5m (139")	26cm (10")	157cm (62")
150	3.7m (145")	4.4m (174")	33cm (13")	196cm (77")
200	4.9m (194")	5.9m (233")	44cm (17")	261cm (103")
300	7.4m (292")	8.9m (350")	65cm (26")	392cm (154")



Hitachi, Ltd. Digital Media Division (Yokohama Plant) has received ISO 14001 certification.



051

HITACHI