

MULTIMEDIA PROJECTORS

**CP-X327 XGA**  
**CP-S317 SVGA**

**HITACHI**  
Inspire the Next



■ **1,800 ANSI Lumens (CP-X327), 2.7kg (6 lbs.)**

■ **Full Connectivity**

■ **Easy and Flexible Keystone Adjustment**

■ **My Screen**

■ **Wide Angle Lens**

■ **Quiet 33dB**



**CP-S317 SVGA**



**CP-X327 XGA**

# Multi-purpose projectors with superior overall performance!

**Brightness of 1,800 ANSI lumens\* with light weight of 2.7kg (6 lbs.)**

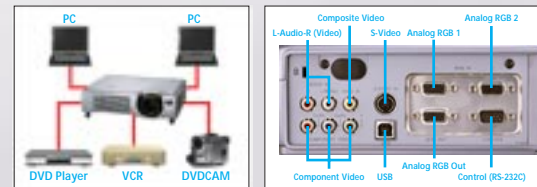
\*CP-X327: 1,800 ANSI lumens; CP-S317: 1,600 ANSI lumens.



## Full Connectivity

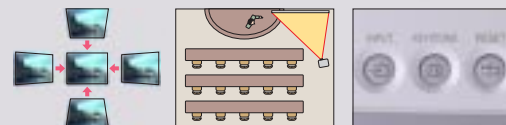
2 RGB inputs, so you can connect 2 PCs at one time and easily switchover 3 video inputs.

\*HDTV: 750p (720p), 1125i (1080i/1035i); SDTV: 525i (480i), 625i (575i)



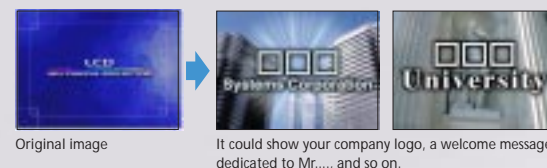
## Easy and Flexible Keystone Adjustment

Vertical and horizontal keystone correction allows greater flexibility for use in restricted spaces. The projector itself has a keystone adjustment button for easy operation.



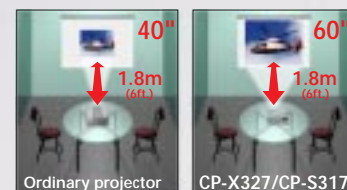
## "My Screen"

Capture any desired image from a PC or video source and customize it as a selected still image for blank screen or initial screen use.



## Wide Angle Lens

For example, provides a large 60" screen display at a projection distance of only 1.8m (6ft.). You can display images about twice as big as ordinary projectors.



## Whisper mode lowers fan noise to only 33dB

\*Standard mode operating noise is 39dB. Brightness in Whisper mode is approximately 20% lower.

## Remote Mouse Function

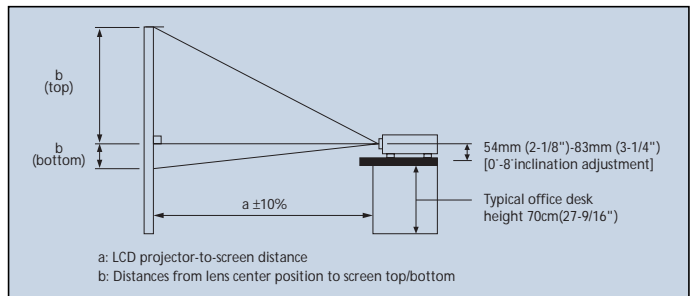
A convenient function that lets you operate a mouse by using the remote control.

## 16:9 and 4:3 aspect ratio compatibility

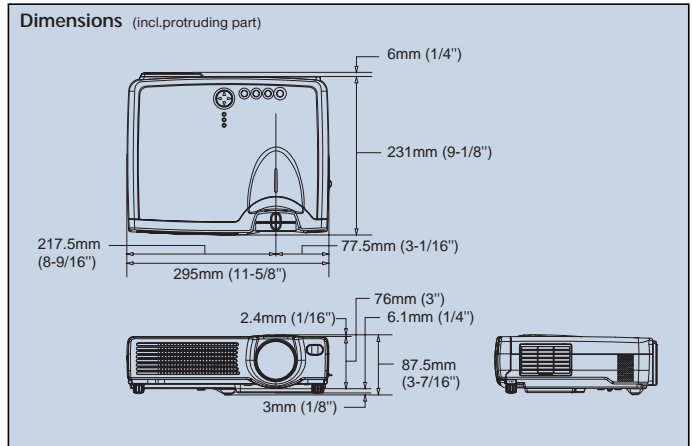
# CP-S317/CP-X327

## Specifications

Model name	CP-S317	CP-X327
Liquid crystal panel structure	0.7" polysilicon active-matrix TFT x 3	
Number of pixels	480,000 pixels (V600 x H800)	786,432 pixels (V768 x H1,024)
Resolution	800 x 600 color pixels	1,024 x 768 color pixels
Frequency	f <sub>H</sub> [kHz]	15-91
	f <sub>V</sub> [Hz]	50-120
Lens	Manual Zoom (F=1.7-1.9) 1 : 1.2	
Lamp	150W UHB	
Brightness	1,600 ANSI Lumens	1,800 ANSI Lumens
Contrast ratio	400 : 1	350 : 1
Speakers	1W x 1	
Power supply	AC100-120V/AC220-240V	
Power consumption	240W	
Operating temperature	0-35°C (32-95°F)	
Input signals	RGB input	VGA, SVGA, XGA, SXGA, UXGA, MAC13", MAC16"
	Video input	VGA, SVGA, XGA, SXGA, UXGA, MAC13", MAC16"
Input/output terminals	Video input	NTSC, NTSC4.43, PAL, PAL60, SECAM, M-PAL, N-PAL, HDTV: 750p (720p), 1125i (1080i/1035i) SDTV: 525i (480i), 525p (480p), 625i (575i)
	RGB input	Analog RGB: D-sub 15-pin shrink terminal x 2
	Output	Analog RGB: D-sub 15-pin shrink terminal x 1
	Control terminal	D-sub 15-pin shrink terminal x 1
Agency Certifications	UL60950/C-UL, ClassB, EN60950 (TUV), CE, AS/NZS3548 ClassB	
Dimensions (WxHxD)	295 x 76 x 231mm (11-5/8" x 3" x 9-1/8") [excl. protruding part]	
Weight	2.7kg (6 lbs.)	
Standard accessories	Remote control, Power cord, RGB cable, Video cable (for video/audio), Soft carrying case, 8-language operator's manual	



Screen Size (inch)	a Min	a Max	b (bottom)	b (top)
30	0.9m (35")	1.1m (42")	2cm (1")	44cm (17")
40	1.2m (47")	1.4m (56")	3cm (1")	58cm (23")
50	1.5m (59")	1.8m (71")	4cm (1")	73cm (29")
60	1.8m (71")	2.2m (85")	4cm (2")	87cm (34")
70	2.1m (83")	2.5m (100")	5cm (2")	102cm (40")
80	2.4m (95")	2.9m (114")	6cm (2")	116cm (46")
90	2.7m (107")	3.3m (129")	7cm (3")	131cm (51")
100	3.0m (119")	3.6m (143")	7cm (3")	145cm (57")
120	3.6m (143")	4.4m (172")	9cm (3")	174cm (69")
150	4.6m (180")	5.5m (216")	11cm (4")	218cm (86")
200	6.1m (240")	7.3m (288")	15cm (6")	290cm (114")
250	7.6m (300")	9.2m (361")	18cm (7")	363cm (143")
300	9.2m (360")	11.0m (433")	22cm (9")	435cm (171")



\*Design and specifications are subject to change without notice.

\*The comparison photos in this catalog are simulations.

Hitachi, Ltd. Digital Media Division (Yokohama Plant) has received ISO 14001 certification.



# HITACHI

## Hitachi Europe Ltd.

Dukes Meadow, Millboard Road, Bourne End, Buckinghamshire, SL8 5XF, UK  
Tel: +44-1628-643326 Fax: +44-1628-643404 [www.hitachi-eu-img.com](http://www.hitachi-eu-img.com)

## Hitachi America, Ltd. Computer Division

Hitachi Plaza 2000 Sierra Point Parkway, Brisbane, CA 94005-1835, U.S.A.  
Tel: +1-800-HITACHI Fax: +1-650-244-7776 [www.hitachi.com](http://www.hitachi.com)

## Hitachi Canada Ltd.

6740 Campobello Road, Mississauga, Ontario L5N2L8, Canada  
Tel: +1-905-821-4545 Fax: +1-905-821-1011 [www.hitachi.ca](http://www.hitachi.ca)

## Hitachi Home Electronics Asia (S) Pte. Ltd.

16 Collyer Quay #31-00 Hitachi Tower, Singapore 049318  
Tel: +65-6536-2520 Fax: +65-6536-2521 [www.hitachiconsumer.com.sg](http://www.hitachiconsumer.com.sg)

## Hitachi Sales (Malaysia) Sdn. Bhd.

Wisma Hitachi, No.2, Lorong 13/6A, 46200 Petaling Jaya, Selangor Darul Ehsan, Malaysia  
Tel: +60-3-79573455 Fax: +60-3-79556090

## Hitachi Sales (Thailand), Ltd.

994, 996 Soi Thonglor, Sukhumvit 55 Road, Klongton, Klongtoey, Bangkok 10110, Thailand  
Tel: +66-2-381-8381 Fax: +66-2-381-9520

## Hitachi (Hong Kong), Ltd.

18th Floor, Ever Gain Centre, 28 On Muk Street, Shatin, N.T., Hong Kong  
Tel: +852-2113-8883 Fax: +852-2780-4178 [www.hitachi-multimedia.com.hk](http://www.hitachi-multimedia.com.hk)

## Hitachi Sales Corp. of Taiwan

2nd Floor, No.65, Nanking East Road, Section 3, Taipei, Taiwan  
Tel: +886-2-2516-0500 Fax: +886-2-2516-1501

## Hitachi Australia Ltd.

Level 3, 82 Waterloo Road, North Ryde, NSW 2113, Australia  
Tel: +61-2-9888-4100 Fax: +61-2-9888-4188 [www.hitachi.com.au](http://www.hitachi.com.au)