

MULTIMEDIA MOBILE LCD PROJECTORS 3 SERIES

CP-S370
CP-X385

HITACHI
Inspire the Next

Surprisingly compact, extraordinarily bright.



CP-S370
SVGA
2,200 ANSI Lumens



CP-X385
XGA
2,200 ANSI Lumens



3 SERIES
MULTIMEDIA PROJECTORS

Two Extremely Compact Projectors Built for Bright, Beautiful Presentations.

3 SERIES MULTIMEDIA PROJECTORS

CP-X385
XGA
2,200 ANSI Lumens

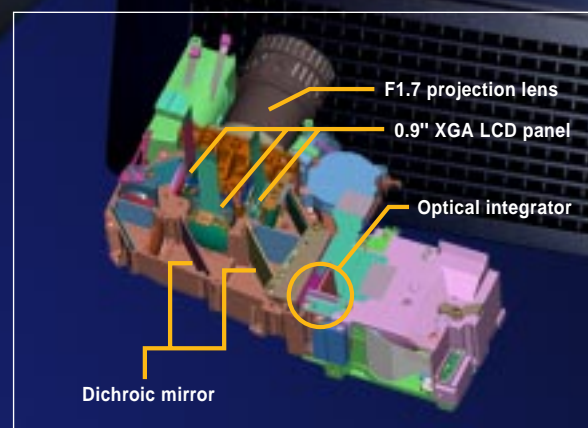


CP-S370
SVGA
2,200 ANSI Lumens



3.2kg (7 lbs.) Mobile Design with Astonishingly High Brightness of 2,200 ANSI Lumens

The 3 Series projectors have three liquid crystal panels with a high ratio aperture of 0.9" and use a bright, efficient 200W UHB (Ultra High Brightness) lamp as the light source to achieve high brightness of 2,200 ANSI Lumens. They are ideal for presentations in bright locations where it is usually difficult to use a mobile projector, thanks to their light weight of 3.2kg (7 lbs.) and sleek body with dimensions of 298 x 76 x 228mm (11-3/4" x 3" x 9") [WxHxD, excluding protruding part]. These handy projectors will go with you anywhere and expand your presentation possibilities!



New lens offers clearer peripheral focus.

The 3 Series is equipped with a new lens that improves the clarity of peripheral areas, which tend to be out of focus. Images are sharp and clear not only in the center, but in every corner. This means you can clearly project not only still images of detailed tables and graphs, but also images that must be sharp from edge to edge.

Enjoy Beautiful Images with No Projector Noise

34dB Whisper Mode for Extra-Low-Noise Operation

The 3 Series take advantage of new Hitachi parts and technology that reduce noise to just 34dB in the Whisper Mode.* You can use the high-brightness Standard Mode (2,200 ANSI Lumens) for presentations in bright rooms, and change to the super-quiet Whisper Mode for enjoying movies in darkened rooms with virtually no projector noise.



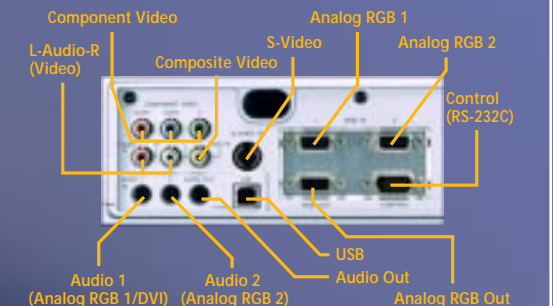
* Whisper Mode brightness is 1,700 ANSI Lumens. Standard Mode operating noise is 40dB.

Digital Processing for Superior Video Quality

The video signal is processed digitally, providing accurate color reproduction, low noise and consistently sharp video images.

Extra Convenience with Two RGB Inputs and Component Video Input

The 3 Series provide two RGB inputs that enable direct connection to two PCs, along with an RGB output. In addition to composite video and S-Video inputs, there are also component video inputs (RCA x 3) that ensure high quality when watching DVDs. And thanks to HDTV compatibility, you can experience the outstanding beauty and realism of HDTV images on a large screen.



Gamma and Color Temperature Correction Modes

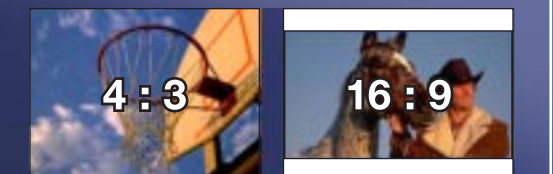
There are three Gamma Correction modes: Normal, Cinema and Dynamic. The Cinema mode increases brightness to improve the clarity of low-level gradations, while the Dynamic mode improves the middle range. Low and High Color Temperature Correction modes are also available. The High mode greatly improves skin tones when watching DVDs played from a PC.

Fine Re-Sizing* and True XGA (CP-X385) / True SVGA (CP-S370)

Naturally, image quality is a prime concern, and with the 3 Series, you get high-resolution, true XGA (CP-X385)/true SVGA (CP-S370) compatibility. Quality is further improved by a Fine Re-Sizing function that automatically performs data loss compensation.

*CP-X385: UXGA/SXGA/SVGA/VGA, CP-S370: UXGA/SXGA/XGA/VGA

16:9 and 4:3 Aspect Ratio Compatibility



More Ways the 3 Series Help You Make Effective Presentations.

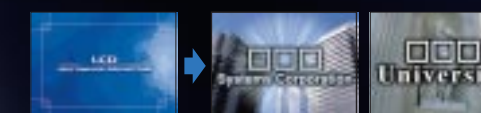
Easy and Flexible Keystone Adjustment (CP-X385)

Vertical and horizontal keystone correction allows greater flexibility for use in restricted spaces. A keystone adjustment button on the projectors provides easy operation.



"My Screen" (CP-X385)

Capture any desired image from a PC or video source and customize it as a selectable still image for blank screen or initial screen use.



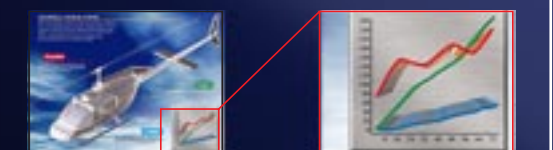
Original image It could show your company logo, a welcome message, dedicated to Mr.... and so on.

Freeze Function

You can prepare the next image while a still image is frozen on the screen, so presentations look more professional.

4x Partial Magnification

You can expand a section of the screen up to four times normal size, with easy selection of the desired section.



Illuminated Buttons

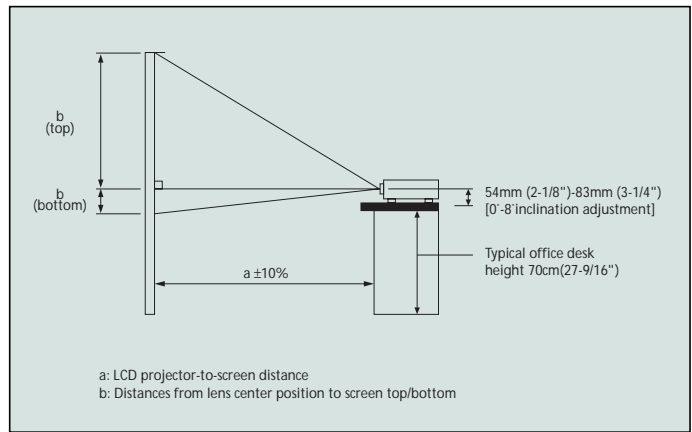
The projectors have illuminated buttons to facilitate operation in dark rooms.



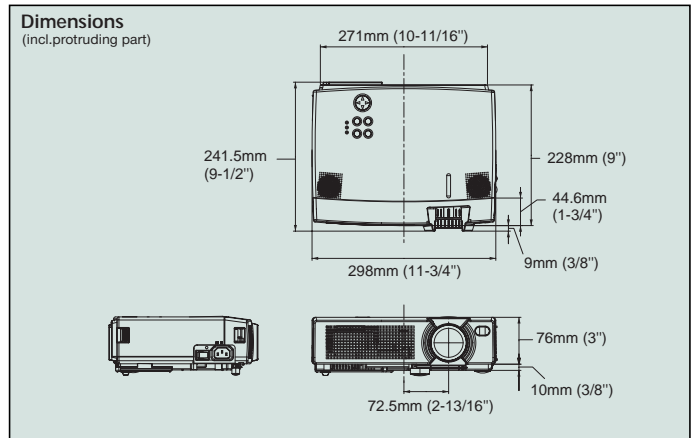
3 SERIES

Specifications			
Model name	CP-S370	CP-X385	
Liquid crystal panel structure	0.9" polysilicon active-matrix TFT x 3		
Number of pixels	480,000 pixels (V600 x H800)	786,432 pixels (V768 x H1,024)	
Resolution	800 x 600 color pixels	1,024 x 768 color pixels	
Frequency	f _H [kHz]	15-91	
	f _V [Hz]	50-120	
Lens	Manual Zoom (F=1.7-2.1) 1 : 1.3		
Lamp	200W UHB		
Brightness	2,200 ANSI Lumens		
Speakers	1W x 1W (stereo)		
Power supply	AC100-120V/AC220-240V		
Power consumption	310W		
Operating temperature	0-35°C (32-95°F)		
Input signals	RGB input	VGA, SVGA, XGA, SXGA, UXGA, MAC13", MAC16"	VGA, SVGA, XGA, SXGA, UXGA, MAC13", MAC16"
	Video input	NTSC, NTSC4.43, PAL, PAL60, SECAM, M-PAL, N-PAL, HDTV: 750p (720p), 1125i (1080i/1035i) SDTV: 525i (480i), 525p (480p), 625i (575i)	
Input/output terminals	Video input	S-Video: Mini DIN 4-pin terminal x 1 Composite video: RCA jack terminal x1 Component video: RCA jack terminal x 3 Audio: RCA jack terminal x 2 (L/R)	
	RGB input	Analog RGB: D-sub 15-pin shrink terminal x 2 Audio: Stereo mini jack x 2	
	Output	Analog RGB: D-sub 15-pin shrink terminal x 1 Audio: Stereo mini jack x 1	
	Control terminal	D-sub 15-pin shrink terminal x 1	
Regulatory (Agency, Safety, EMI/RFI)	UL/C-UL60950, FCC Part15 SubpartB ClassB, TUV EN60950 (Low voltage directive), EN55022 ClassB, EN61000-3-2, EN61000-3-3, EN55024 (EMC directive), CE approval, AS/NZS3260, AS/NZS3548		
Dimensions (WxHxD)	298 x 76 x 228mm (11-3/4" x 3" x 9") [excl. protruding part]		
Weight	3.2kg (7 lbs.)		
Standard accessories	Power cord, RGB cable, RCA component cable, Wireless remote control unit with laser pointer, "AA" batteries, PS/2 mouse cable, Handle strip, Soft carrying case, 11-language operator's manual, 11-language safety instructions		

*Design and specifications are subject to change without notice.
*The comparison photos in this catalog are simulations.



Screen Size (inch)	a Min	a Max	b (bottom)	b (top)
30	1.2m (45.3")	1.5m (60.9")	2cm (1")	44cm (17")
40	1.6m (61.7")	2.1m (81.5")	3cm (1")	58cm (23")
60	2.4m (94.3")	3.1m (122.7")	4cm (2")	87cm (34")
70	2.8m (110.7")	3.6m (143.4")	5cm (2")	102cm (40")
80	3.2m (127.0")	4.2m (164.0")	6cm (2")	116cm (46")
100	4.1m (159.7")	5.2m (205.2")	7cm (3")	145cm (57")
120	4.9m (192.4")	6.3m (246.4")	9cm (4")	174cm (69")
150	6.1m (241.4")	7.8m (308.3")	11cm (4")	218cm (86")
200	8.2m (323.1")	10.4m (411.3")	15cm (6")	290cm (114")
300	12.4m (486.4")	15.7m (617.5")	22cm (9")	435cm (171")



Hitachi, Ltd. Digital Media Division (Yokohama Plant) has received ISO 14001 certification.



HITACHI

Hitachi Europe Ltd.

Dukes Meadow, Millboard Road, Bourne End, Buckinghamshire, SL8 5XF, UK
Tel: +44-1628-643326 Fax: +44-1628-643404 www.hitachi-eu-img.com

Hitachi America, Ltd. Computer Division

Hitachi Plaza 2000 Sierra Point Parkway, Brisbane, CA 94005-1835, U.S.A.
Tel: +1-800-HITACHI Fax: +1-650-244-7776 www.hitachi.com/mmpp

Hitachi Canada Ltd.

6740 Campobello Road, Mississauga, Ontario L5N2L8, Canada
Tel: +1-905-821-4545 Fax: +1-905-821-1011 www.hitachi.ca

Hitachi Home Electronics Asia (S) Pte. Ltd.

16 Collyer Quay #31-00 Hitachi Tower, Singapore 049318
Tel: +65-6536-2520 Fax: +65-6536-2521 www.hitachimultimedia.com.sg

Hitachi Sales (Malaysia) Sdn. Bhd.

Wisma Hitachi, No.2, Lorong 13/6A, 46200 Petaling Jaya, Selangor Darul Ehsan, Malaysia
Tel: +60-3-79573455 Fax: +60-3-79556090

Hitachi Sales (Thailand), Ltd.

994, 996 Sol Thonglor, Sukhumvit 55 Road, Klongton, Klongtoey, Bangkok 10110, Thailand
Tel: +66-2-381-8381 Fax: +66-2-381-9520

Hitachi (Hong Kong), Ltd.

18th Floor, Ever Gain Centre, 28 On Muk Street, Shatin, N.T., Hong Kong
Tel: +852-2113-8883 Fax: +852-2780-4178 www.hitachi-multimedia.com.hk

Hitachi Sales Corp. of Taiwan

2nd Floor, No.65, Nanking East Road, Section 3, Taipei, Taiwan
Tel: +886-2-2516-0500 Fax: +886-2-2516-1501

Hitachi Australia Ltd.

Level 3, 82 Waterloo Road, North Ryde, NSW 2113, Australia
Tel: +61-2-9888-4100 Fax: +61-2-9888-4188 www.hitachi.com.au